

LAYOUT SHOWN AS EXAMPLE

Keying Shown as example

**CHARACTERISTICS**

- Standard : Based on MIL-DTL-38999 Series III
- Shell Material : Composite
- Shell Plating : Without Plating
- Insulator : Thermoplastic
- Contacts : Copper Alloy
- Seals & Grommet : Silicon Elastomer
- Contact Plating : Gold over copper Alloy 0.8µm minimum
- Durability : 500 Mating cycles
- Delivered with Souriau contacts and Accessories
- Temperature Range : -65°C to +175°C
- Salt Spray : 2000 hours
- Mass : 10.4 g ± 10%

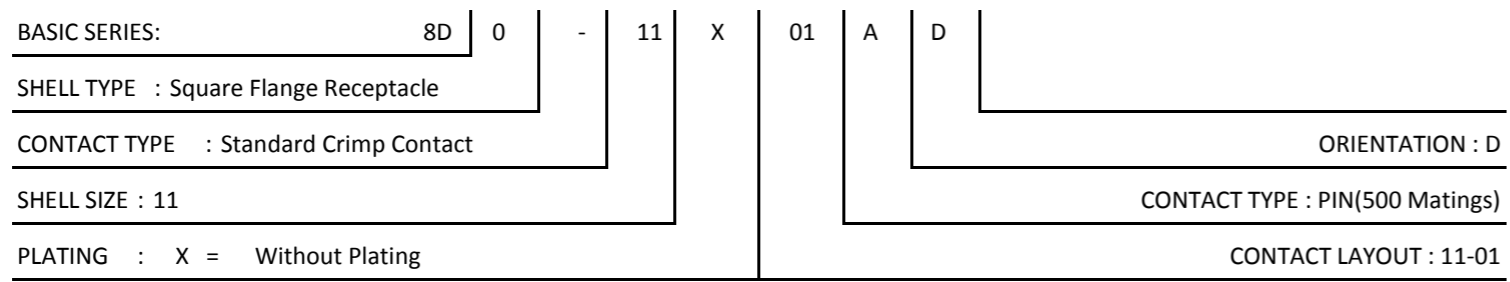
| Connector dimension |               |
|---------------------|---------------|
| Dim                 | Nominal       |
| P                   | 3.25±0.2      |
| PP                  | 4.93±0.2      |
| R1                  | 20.62         |
| R2                  | 18.26         |
| S                   | 26.2±0.3      |
| V                   | 20.83+0/-1.25 |
| W                   | 2.1/2.5       |
| Z                   | 31.5 Max      |
| VV THREAD           | M15x1-6g      |

SOURIAU shall not be liable for any non-conformity or damage due to a use of the Products which does not comply with the Specifications issued by either of the Parties or by a third party (professional recommendation, technical notice.)

|         |                             |
|---------|-----------------------------|
| Country | Jurisdiction & Control List |
| FR      | Not Listed                  |

**PN: 8D011X01AD**

|              |                                                                     |                                |                                                                                                       |
|--------------|---------------------------------------------------------------------|--------------------------------|-------------------------------------------------------------------------------------------------------|
| A            | 08-10-2016                                                          | First Release                  |                                                                                                       |
| ISS          | DATE                                                                | Latest modification - by       | MOD N°                                                                                                |
| Designed By: |                                                                     | Date:                          | <b>CUSTOMER DRAWING</b>                                                                               |
| <b>TITLE</b> | <b>Composite Receptacle 8D series</b>                               |                                |                                                                                                       |
| SCALE        |                                                                     | General linear Tolerances: ±-- | NPRDS / PROJECT<br><b>859</b>                                                                         |
| NA           | <b>SOURIAU</b> <a href="http://WWW.SOURIAU.COM">WWW.SOURIAU.COM</a> |                                | This document is the property of SOURIAU it must not be reproduced or communicated without permission |
| FORMAT       | <b>A3</b>                                                           |                                | <b>SOURIAU DRG N° 8D011X01AD-C</b> SHEET 1/2                                                          |



4  
3  
2  
1

4  
3  
2  
1

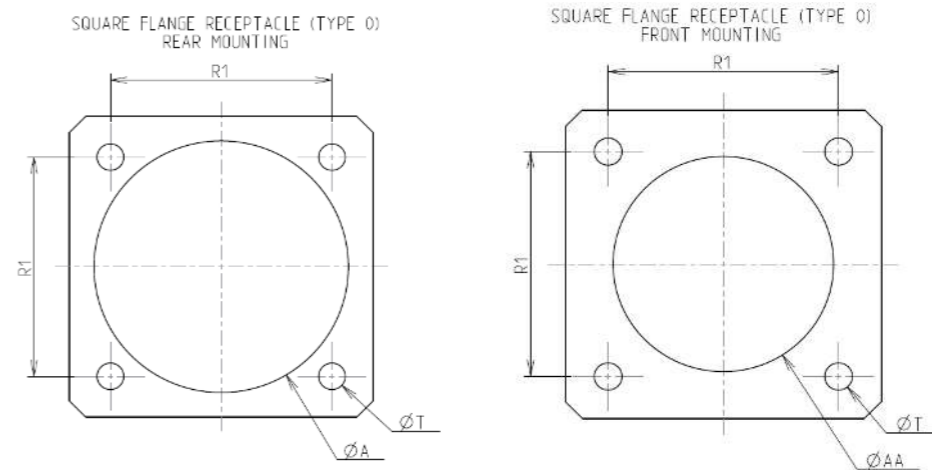
Contact Layout



1#12

|       |   |   |
|-------|---|---|
| 11-01 |   |   |
| Ctc   | X | Y |
| A     | 0 | 0 |

Panel Cutout



| Dim | Nominal    |
|-----|------------|
| ØA  | 20.22 min  |
| ØAA | 15.88 min  |
| R1  | 20.62      |
| ØT  | 3.25 ±0.13 |

SOURIAU shall not be liable for any non-conformity or damage due to a use of the Products which does not comply with the Specifications issued by either of the Parties or by a third party (professional recommendation, technical notice.)

| Country | Jurisdiction & Control List |
|---------|-----------------------------|
| FR      | Not Listed                  |

PN: 8D011X01AD

|                |                                       |                            |                                                                                                       |
|----------------|---------------------------------------|----------------------------|-------------------------------------------------------------------------------------------------------|
| A              | 08-10-2016                            | First Release              |                                                                                                       |
| ISS            | DATE                                  | Latest modification - by   | MOD N°                                                                                                |
| Designed By:   |                                       | Date:                      | <b>CUSTOMER DRAWING</b>                                                                               |
| <b>TITLE</b>   | <b>Composite Receptacle 8D series</b> |                            |                                                                                                       |
| SCALE          |                                       | General linear Tolerances: | NPRDS / PROJECT                                                                                       |
| NA             |                                       | ±--                        | <b>859</b>                                                                                            |
| <b>SOURIAU</b> | <b>WWW.SOURIAU.COM</b>                |                            | This document is the property of SOURIAU it must not be reproduced or communicated without permission |
| FORMAT         | <b>SOURIAU DRG N° 8D011X01AD-C</b>    |                            | SHEET 2/2                                                                                             |