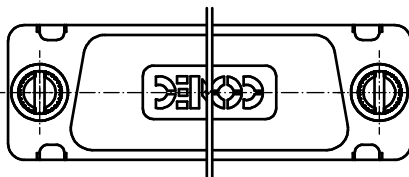
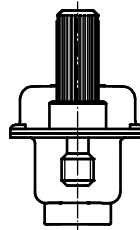
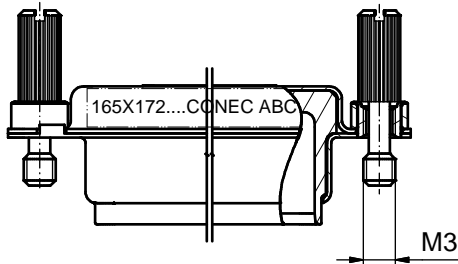
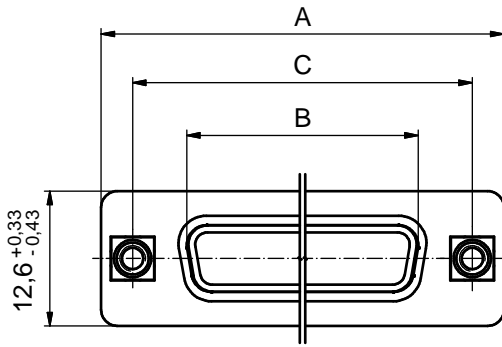
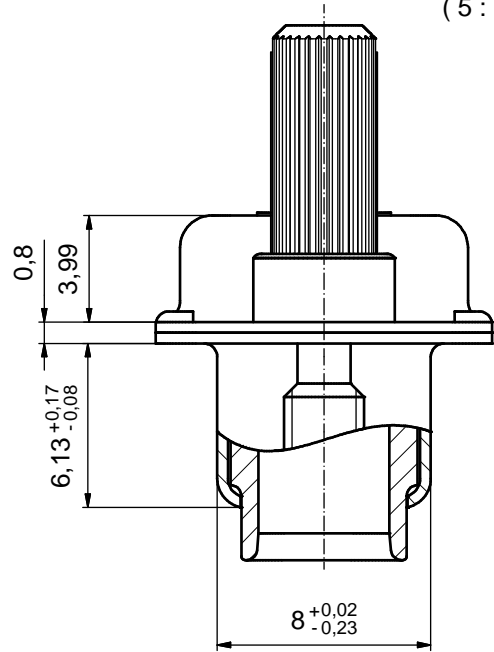


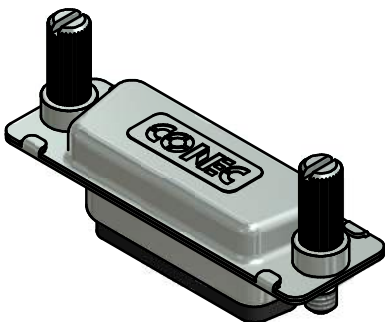
No. of pos.	A _{-0,76}	B _{+0,25}	C	Part-No. Bulk package	Part-No. Single package
9	31,19	16,46	25,00 ^{+0,12} _{-0,13}	165X17259X	165X17259XE
15	39,52	24,79	33,30 ^{+0,15} _{-0,1}	165X17269X	165X17269XE
25	53,42	38,50	47,04 _{±0,13}	165X17279X	165X17279XE
37	69,70	54,96	63,50 _{±0,13}	165X17289X	165X17289XE
50	67,31	52,55	61,10 ^{+0,14} _{-0,11}	165X17299X	165X17299XE

(5:1)



NOTES:

1. METALSHELLS: COPPER ALLOY; min. 315µin TIN over 40-80µin NICKEL
2. INSULATOR: TPE
3. THREADED INSERTS: BRASS
4. SCREWS: STEEL; NICKEL PLATED
5. CONNECTOR IS PART MARKED: [PART NO. CONEC ABC]



Directive 2002/95/EC RoHS compliant

THIS DRAWING MAY NOT BE COPIED OR REPRODUCED IN ANY WAY, AND MAY NOT BE PASSED ON TO A THIRD PARTY WITHOUT WRITTEN PERMISSION. OWNERSHIP AND COPYRIGHT OF CONEC GmbH DO NOT ALTER CAD DRAWING BY HAND	tolerance		dim. in mm		scale:	2:1 (5:1)
					material:	SEE NOTES
	drawn	29.06.11	Henneboel		title:	
	appd.	29.06.11	Fischer		HOOD 9-50pos.	
	norm	DIN 41652		WATER RESISTANT AND SHIELDED; FOR EMI/RFI for plug connector, with jack screws		
d-old			dwg no:		DIN-A3	
a	Original			16K1A2841		sh: 1
rev.	description	date	name	part no:		SEE TABLE

CONEC[®]