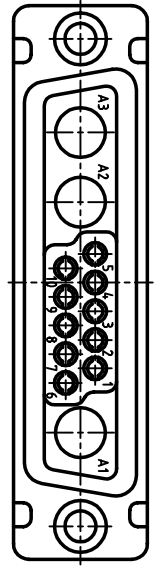
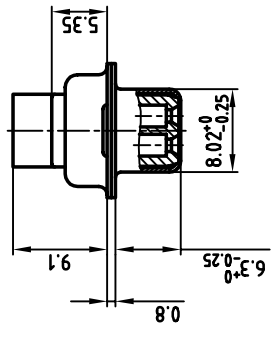
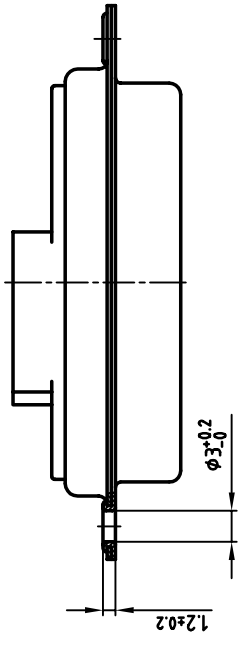
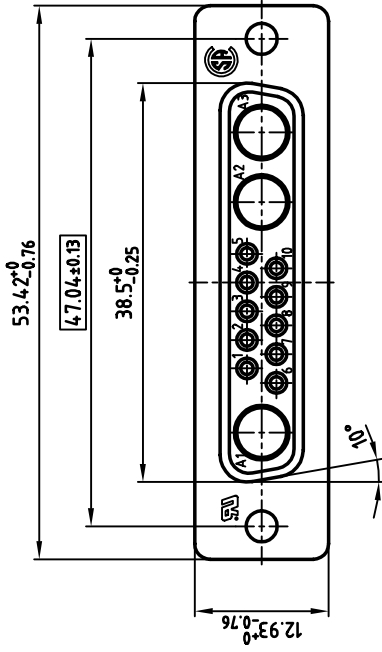


used for: D-SUB COMBINATION CRIMP



**NOTES:**

1. METALSHELLS: STEEL; min. 320µ" TIN
2. INSULATORS: PBT GF UL 94 V-0, BLACK
3.   = CRITICAL DIMENSION: SPC

Directive 2002/95/EC  
„RoHS“  
Compliant

CONEC CORPORATION BRAMPTON, ONTARIO		tolerance	scale: 2:1	material: SEE NOTES			
2002	date	name	title:	D-SUB COMBINATION FEMALE CRIMP STYLE 13W3S			
drawn	29.01.	Parei	dwg no:			AutoCAD 2000	DIN-A
appd.	30.01.	E. Mickenbecker	13K1A472A			3	sh: 1/1
norm			<b>part no: 3013W3SXXK99A10X</b>				
6-old							
DO NOT ALTER CAD DRAWING BY HAND		THIS DRAWING MAY NOT BE COPIED OR REPRODUCED IN ANY WAY, AND MAY NOT BE PASSED ON TO A THIRD PARTY WITHOUT WRITTEN PERMISSION		OWNERSHIP AND COPYRIGHT OF CONEC GMBH			
rev.	description	date	name				

