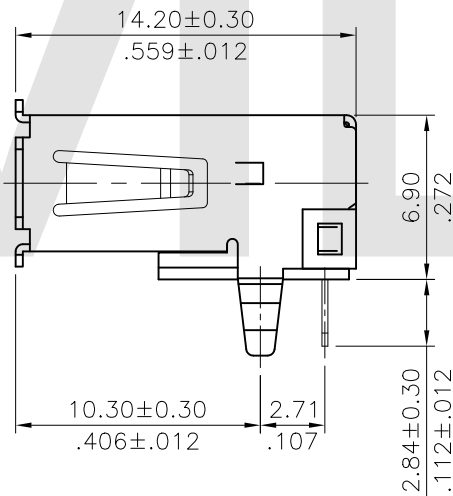
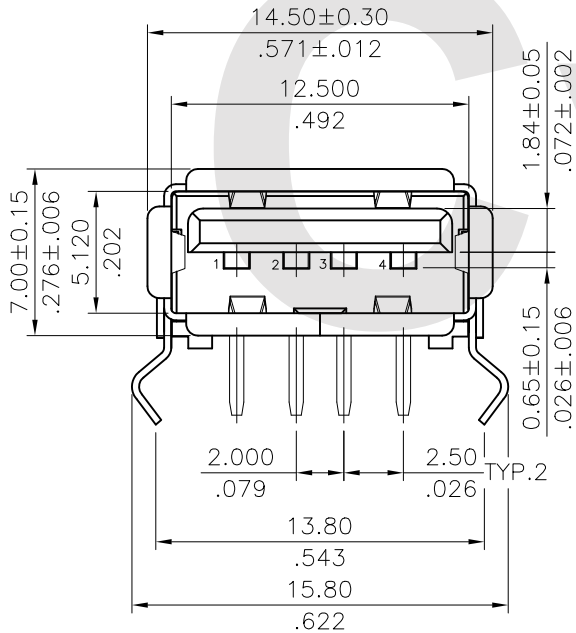


Recommended P.C. Board Layout  
TOP VIEW(TOLERANCE:±0.10)



Materials :

Insulator: Glass filled polyester UL 94V-0  
Contacts: Phosphor Bronze  
Shell: Brass  
Shell Plating: 80μ" Nickel over 50μ" Cu

Ordering Code:

CU01 S A H 1 S 00  
① ② ③ ④ ⑤ ⑥ ⑦

- ① Series No.
- ② S= Socket
- ③ Plating option:  
A= Selective Gold flash plated over 1.27μm(50μ") Nickel  
C= Selective 0.76μm(30μ") Gold plated over 1.27μm(50μ") Nickel
- ④ H= Right angle
- ⑤ Insulator Color: 1= Black, 0= White
- ⑥ S= Single port
- ⑦ Option: 00= Standard

Lead Free Process

RoHS Compliant

⑤	Sandy	6/28-16'	ECRB116040/ECNT116138		DATE	UNIT: mm / inch	TITLE: U.S.B TYPE A RIGHT ANGLE BOARD MOUNT SOCKET		瀚荃股份有限公司 CviLux Corporation				
④	Hank	11/8/06'	ECN06412		DRAWN BY: Sandy	6/29-16'	TOLERANCE UNLESS OTHERWISE SPECIFIED		MATERIAL:	DRAWING NO.	CU0101SO	PART NO.	CU01S*H*S00
③	Jim	8/22/06'	ECR06070-0/ECN06293		ENGINEER: Sun	6/29-16'	.X ± 0.25/010 X' ± 1'			FINISH:	SCALE	3 / 1	SHEET
②	Jim	7/01/05'	ECR05062-0/ECN05231		CHECKED BY: Eisley	7/01-16'	.XX ± 0.20/008 X' ±						
SYM	NAME	DATE	REVISIONS		APPROVED BY: Eisley	7/01-16'	.XXX ± 0.10/004 X' ±						