



# 9500 MHz Suspended Stripline High Pass Filter

Part Number: AE9500SSH6603



**ANATECH ELECTRONICS INC**  
RF & Microwave Filters & Products

## Electrical Specifications

**Cut Off Frequency:** 9.5GHz  
**Pass Band Frequency:** 9.5~28GHz  
**Pass Band Insertion Loss:**  
≤1.5dB @ 9.5~9.9GHz  
≤1.0dB @ 9.9~28GHz  
**Pass Band VSWR:**  
≤1.5:1 @ 9.5~20GHz  
≤1.8:1 @ 20~28GHz  
**Stop Band Attenuation:** ≥50dB @ DC~7.93GHz  
**Impedance:** 50 Ohms  
**Power Handling:** ≤15W

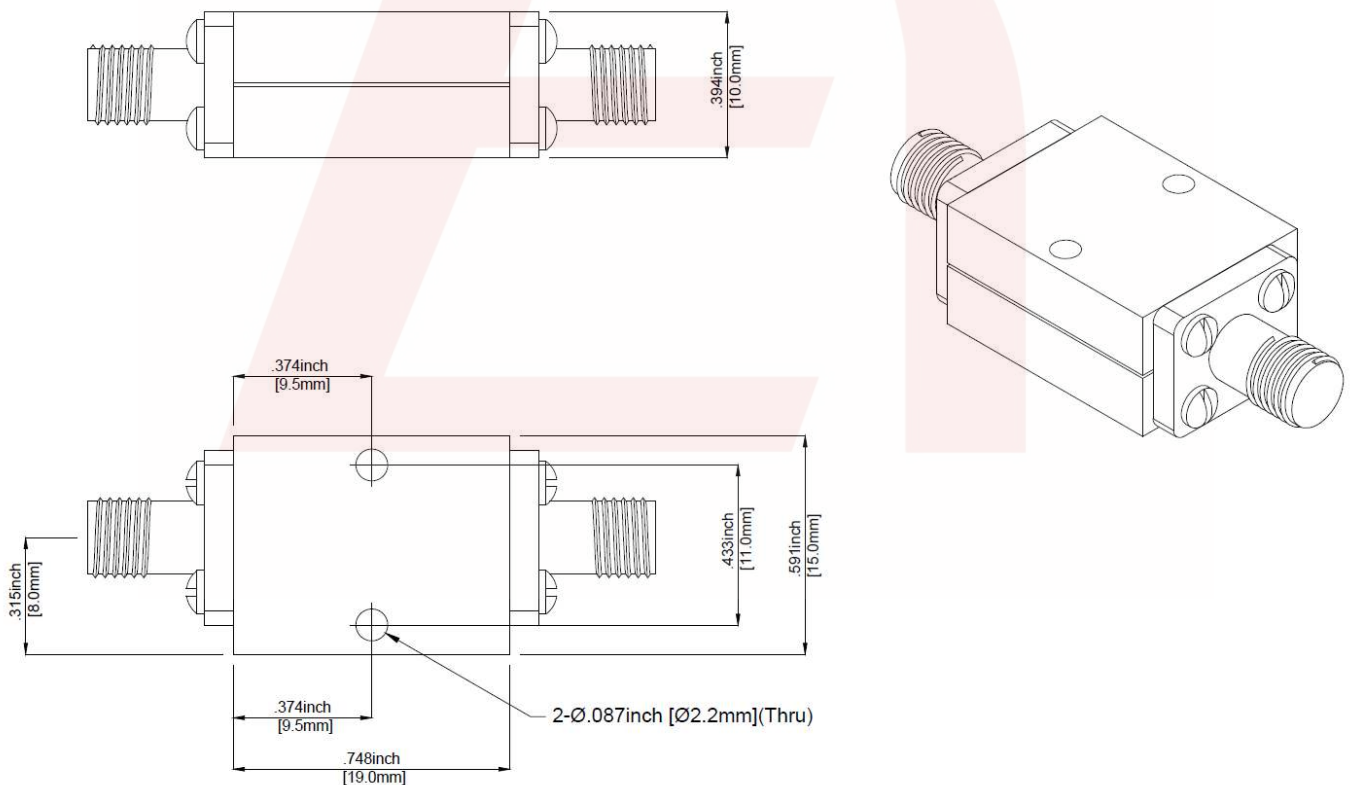
## Mechanical

**Mounting Method:** Through Holes  
**Connector Type:** SMA-Female  
**Dimensions:** 19 x 15 x 10 mm

## Environmental

**Operating Temperature:** -45° to +85° C  
**Storage Temperature:** -55° to +95° C  
**Shock:** 20 G. 11ms  
**Vibration:** 20 G. 5 to 200 Hz

## Outline Drawing:



DS-SSH6603-01252019-Rev0

70 Outwater Lane Phone: (973) 772-4242  
Garfield, NJ 07026 Fax : (973) 772-4646

Email: [sales@anatechelectronics.com](mailto:sales@anatechelectronics.com)  
Web: [www.anatechelectronics.com](http://www.anatechelectronics.com)