

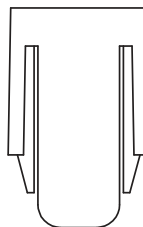
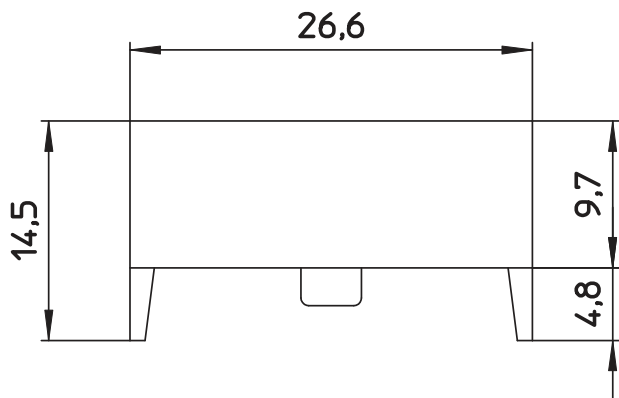
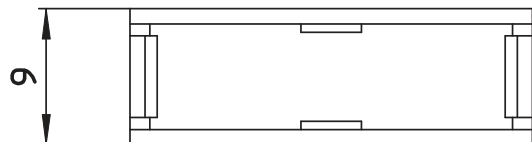
1

2

3

4

5



TECHNICAL CHARACTERISTICS

MATERIAL  
 INSULATOR: PC  
 FLAMMABILITY RATING: UL94V2  
 COLOR: CLEAR TRANSPARENT

ENVIRONMENTAL  
 OPERATING TEMPERATURE: -30°C UP TO +120°C  
 COMPLIANCE: LEAD FREE AND ROHS

MECHANICAL  
 FUSE-LINK: 5x20 mm

PACKAGING  
 BOX

A

B

C

D

RoHS Compliant

|     |           |      |    |
|-----|-----------|------|----|
| G   |           |      |    |
| F   |           |      |    |
| E   |           |      |    |
| D   |           |      |    |
| C   |           |      |    |
| B   |           |      |    |
| A   | 11-SEP-14 | PDF  | AK |
| REV | DATE      | FILE | BY |

PROJECTION:

GENERAL TOLERANCE  
 ±0,1



APPROVAL: QL

UNIT: MM  
 SCALE:  
 SHEET: 1/2  
 DRAW: AK

DESCRIPTION: ACCESSORIES - PCB - CLIP COVER - THT - GLOW WIRE PLASTIC - WR-FSH  
 WERI PART NO: 696 120 004 001

SIZE  
**A4**

1

2

3

4

5

## Cautions and Warnings:

This electronic component is designed and developed with the intention for use in general electronics equipments.

Before incorporating the components into any equipments in the field such as aerospace, aviation, nuclear control, submarine, transportation, (automotive control, train control, ship control), transportation signal, disaster prevention, medical, public information network etc. where higher safety and reliability are especially required or if there is possibility of direct damage or injury to human body, Würth Elektronik must be asked for a written approval.

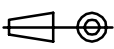

In addition, even electronic component in general electronic equipments, when used in electrical circuits that require high safety, reliability functions or performance, the sufficient reliability evaluation-check for the safety must be performed before by the user before usage.

A

B

C

RoHS Compliant

|     |           |      |    |  |   |  |                   |
|-----|-----------|------|----|--|---|--|-------------------|
| G   |           |      |    | PROJECTION:<br> | GENERAL TOLERANCE<br>.X = +/- 0.2<br>.XX = +/- 0.15 | <br><b>WÜRTH ELEKTRONIK</b> |                   |
| F   |           |      |    |  |   |  |                   |
| E   |           |      |    |  |   |  |                   |
| D   |           |      |    |  |   |  |                   |
| C   |           |      |    | APPROVAL: JC   | UNIT: MM  | DESCRIPTION: DISCLAIMER  | SIZE<br><b>A4</b> |
| B   |           |      |    |  | SCALE:  |  |                   |
| A   | 10-SEP-14 | PDF  | QL |  | SHEET: 2/2  | WERI PART NO: DISCLAIMER   |                   |
| REV | DATE      | FILE | BY |  | DRAW: QL  |  |                   |

D