

6

5

4

3

2

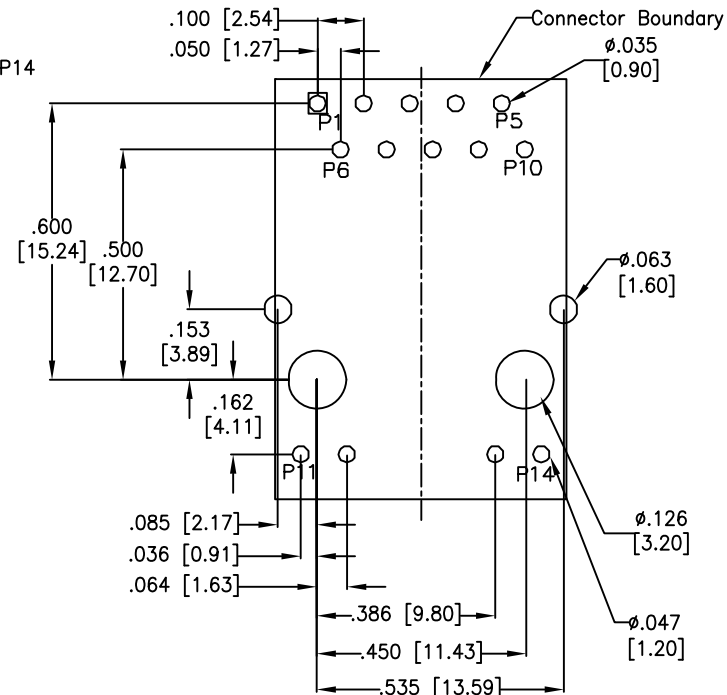
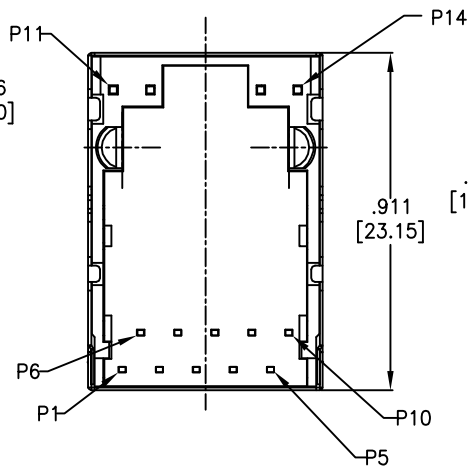
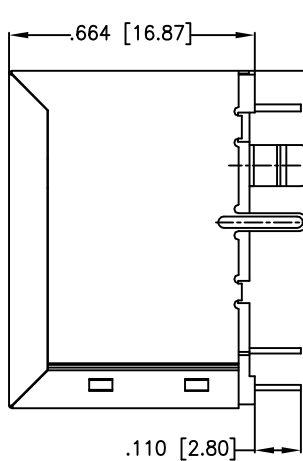
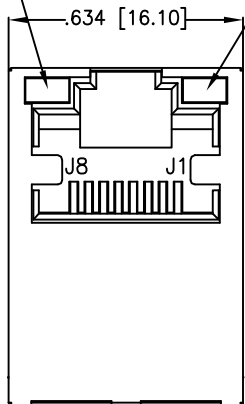
1

APPROVED: \_\_\_\_\_

DATE: \_\_\_\_\_ TITLE: \_\_\_\_\_

Rev	AWO #	Description	Date	Appr
-		RELEASED	11/13/18	

YELLOW LED 1 GREEN LED 2



RECOMMENDED PCB LAYOUT

SPECIFICATIONS:

Material:

Insulator: PBT, rated UL 94V-0

Insulator color: Black

Contacts: Phosphor Bronze

Shield: Brass, Nickel plated

Plating:

Round contact

Gold over Nickel underplate overall

Flat contact

Gold over Nickel underplate on contact area,

Tin over Nickel underplate on solder tails

Electrical:

Voltage rating: 150 VAC

Contact Resistance: 20 mohms max

Insulation resistance: 500 Mohms min

Dielectric withstanding voltage: 2250 VDC

Temperature Rating:

Operating temperature: -40°C to +85°C

Environmental:

Lead free, RoHS compliant.



UNLESS OTHERWISE SPECIFIED ALL DIMENSIONS ARE INCHES [MM] TOLERANCES: EXCEPT AS NOTED INCHES HOLES

.X	± .10	∅X	± .10
.XX	± .020	∅XX	± .015
.XXX	± .015	∅XXX	± .010

APPROVALS		DATE
DRAWN	AY	11/13/18
CHECKED	NL	11/13/18
APPROVED		

**ADAM TECH** INTERCONNECTS 909 Rahway Avenue, Union, NJ 07083 Phone: 908-687-5000 Fax: 908-687-5710

TITLE: MODULAR TELEPHONE JACK, 1 PORT, 8P8C W/LED1 YELLOW, LED2 GREEN

SIZE	PART NO.	REV.
X	MTJ-88TVX1-FSJ-LG-M75C-WOT	-
REF: S00005C	SCALE: NTS	SHEET 1 OF 2

6

5

4

3

2

1

APPROVED: \_\_\_\_\_

DATE: \_\_\_\_\_ TITLE: \_\_\_\_\_

Rev	AWO #	Description	Date	Appr
-----	-------	-------------	------	------

SEE SHT 1 OF 2 FOR REVISION

D

D

C

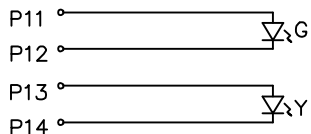
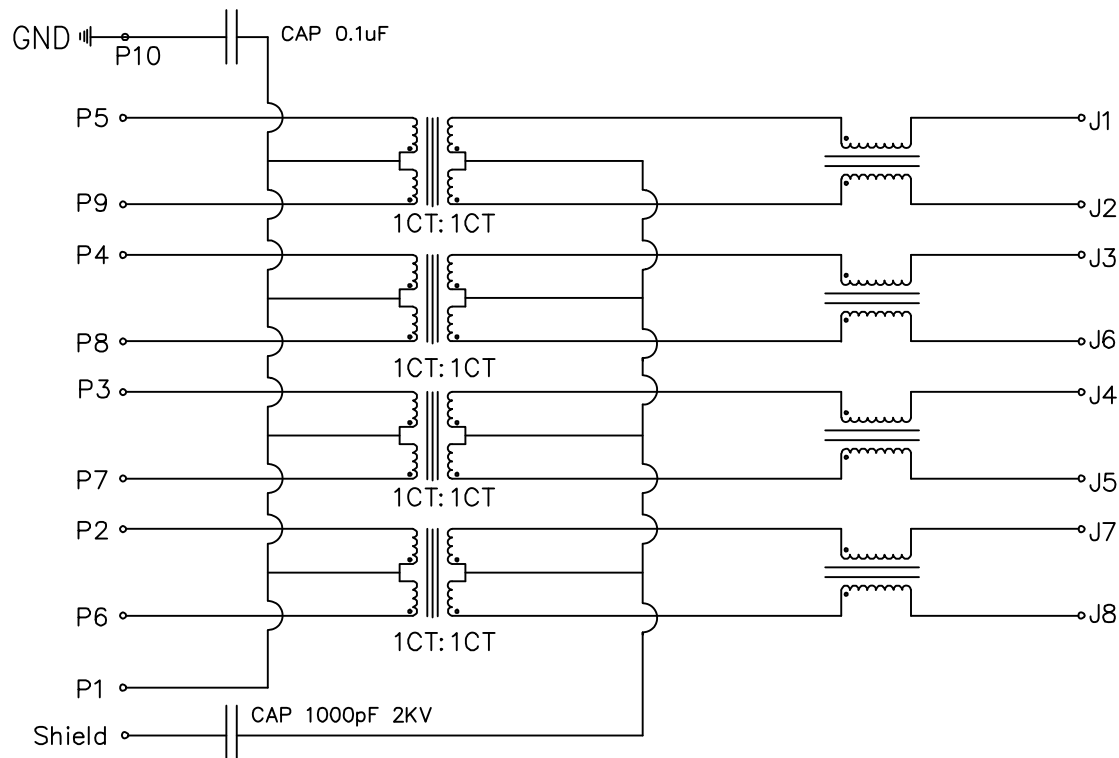
C

B

B

A

A



Pin	Green		Yellow
P11	+	P13	+
P12	-	P14	-

ELECTRICAL CHARACTERISTICS

- Turn Ratio @100KHz: (P5~P9):(J1~J2)=1:1±5%  
(P4~P8):(J3~J6)=1:1±5%  
(P3~P7):(J4~J5)=1:1±5%  
(P2~P6):(J7~J8)=1:1±5%
- Primary Inductance: 350uH Min. @100kHz, 0.1Vrms, 8mA DC BIAS
- DC Resistance: 1.2 Ohms Max.
- Insertion Loss: 1~100MHz : -1.0dB Min.  
100~125MHz : -1.2dB Min.
- Return Loss: 1~40MHz: -16dB Max  
40~60MHz: -12dB Max  
60~80MHz: -10dB Max  
80~100MHz: -8dB Max
- Cross Talk: 1~100MHz: -30dB Max.
- Common to Common mode Attenuation: 1~100MHz: -30dB Min.
- Isolation: PHY Side to Line Side : 2250VDC

UNLESS OTHERWISE SPECIFIED  
ALL DIMENSIONS ARE INCHES [MM]  
TOLERANCES: EXCEPT AS NOTED  
INCHES HOLES

.X ± .10	∅X ± .10
.XX ± .020	∅XX ± .015
.XXX ± .015	∅XXX ± .010

**ADAM TECH**  
INTERCONNECTS

909 Rahway Avenue,  
Union, NJ 07083  
Phone: 908-687-5000  
Fax: 908-687-5710

TITLE: MODULAR TELEPHONE JACK, 1 PORT, 8P8C  
W/LED1 YELLOW, LED2 GREEN

APPROVALS		DATE
DRAWN	AY	11/13/18
CHECKED	NL	11/13/18
APPROVED		

SIZE	PART NO.	REV.
X	MTJ-88TVX1-FSJ-LG-M75C-WOT	-
REF: S00005C	SCALE: NTS	SHEET 2 OF 2