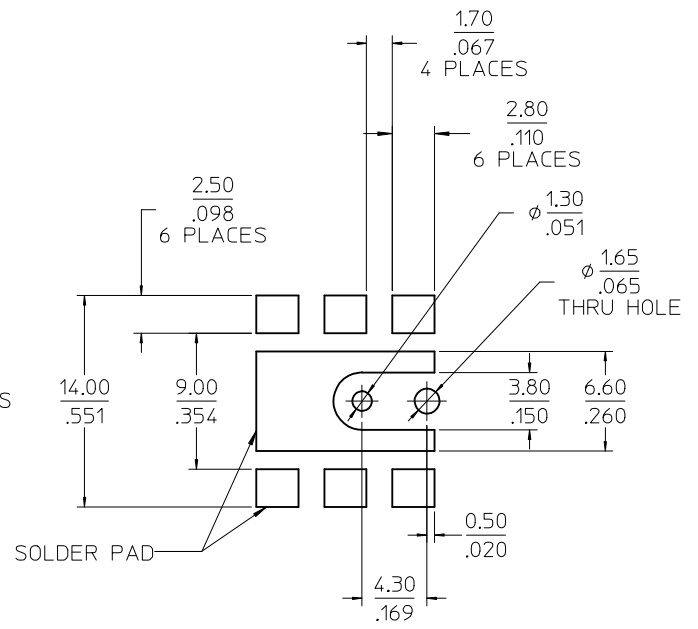
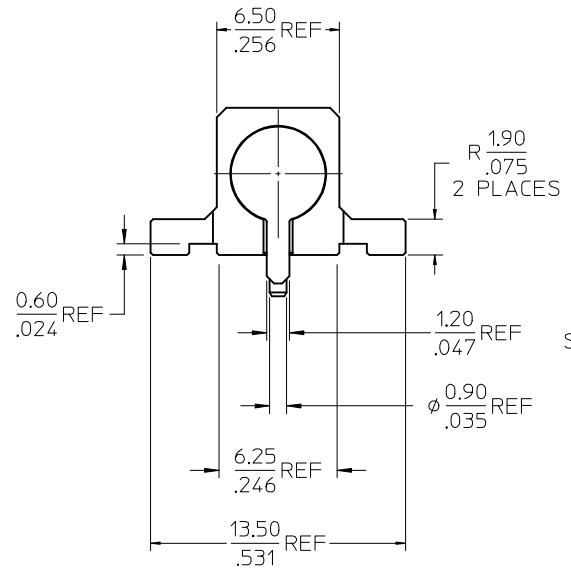
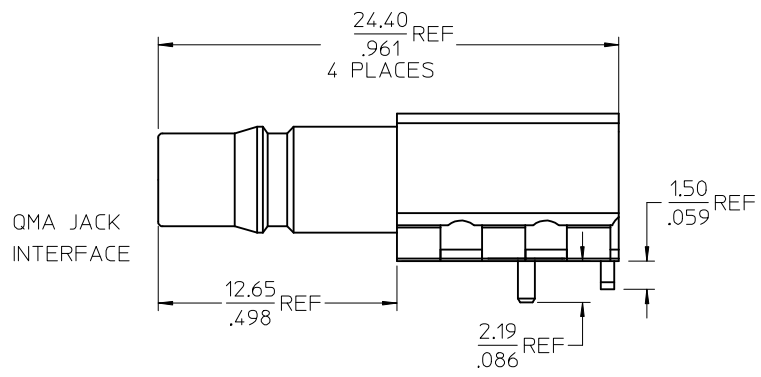
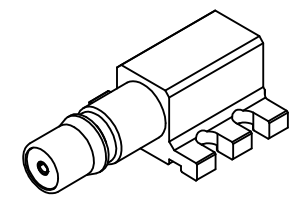


MATERIALS AND FINIHES:

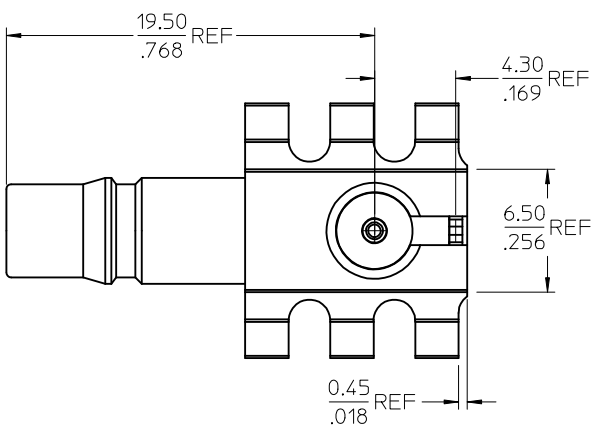
BODY, CAP: BRASS  
PLATED GOLD

INSULATOR: TEFLON

CENTER CONTACT: BERYLLIUM COPPER  
PLATED GOLD



RECOMMENDED PCB LAYOUT



73254-0021	P/N 73254-0020 ONE PER BAG
73254-0020	TRAY
PART NO.	DESCRIPTION

CHG: UPDATE PACKAGING FOR -0020 PER RF15-E231  
 IEC NO: URF2015-0690  
 DRW:YEH  
 CHKD:  
 APPR:YCHENG  
 2015/06/05  
 2015/06/09  
 B3

QUALITY SYMBOLS	GENERAL TOLERANCES (UNLESS SPECIFIED)	
	mm	INCH
$\nabla=0$	4 PLACES ± ---	± ---
$\nabla=0$	3 PLACES ± ---	± ---
$\nabla=0$	2 PLACES ± ---	± ---
	1 PLACE ± ---	± ---
	0 PLACE ±	±
ANGULAR ± 2 °		
DRAFT WHERE APPLICABLE MUST REMAIN WITHIN DIMENSIONS		

DIMENSION STYLE	
MM/IN	
DRAWN BY	DATE
TEF	2003/03/17
CHECKED BY	DATE
SSS	2003/03/17
APPROVED BY	DATE
GMH	2003/03/17
MATERIAL NO.	
SEE TABLE	
SIZE C	

SCALE	DESIGN UNITS	THIRD ANGLE PROJECTION
5:1	METRIC	
TITLE		
QMA JACK, R/A PCB EWR-1960, 50 OHMS QMA-J/PCB		
<b>molex</b>		
MATERIAL NO.	DOCUMENT NO.	SHEET NO.
SEE TABLE	SD-73254-002	1 OF 1
THIS DRAWING CONTAINS INFORMATION THAT IS PROPRIETARY TO MOLEX INCORPORATED AND SHOULD NOT BE USED WITHOUT WRITTEN PERMISSION		