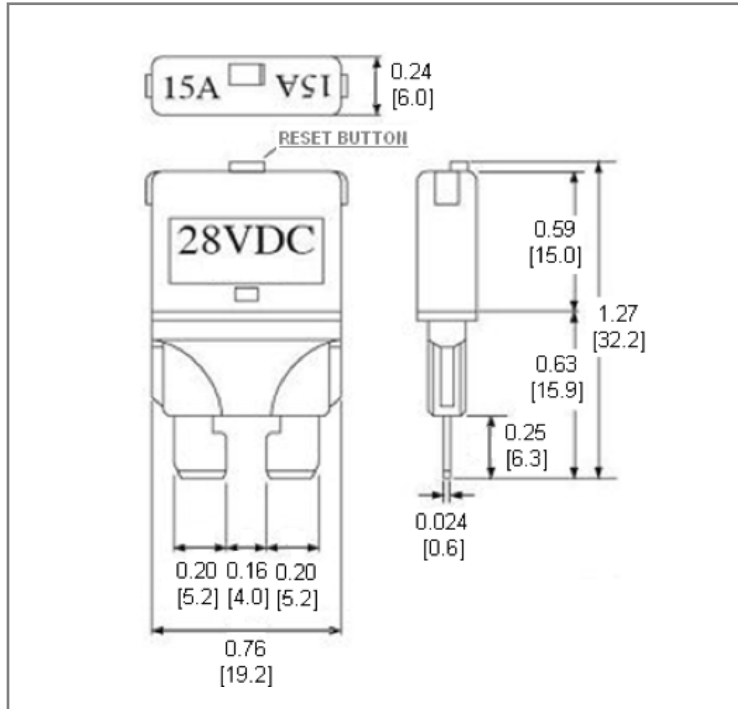


# Regular (ATO/ATC Style) Blade Circuit Breaker

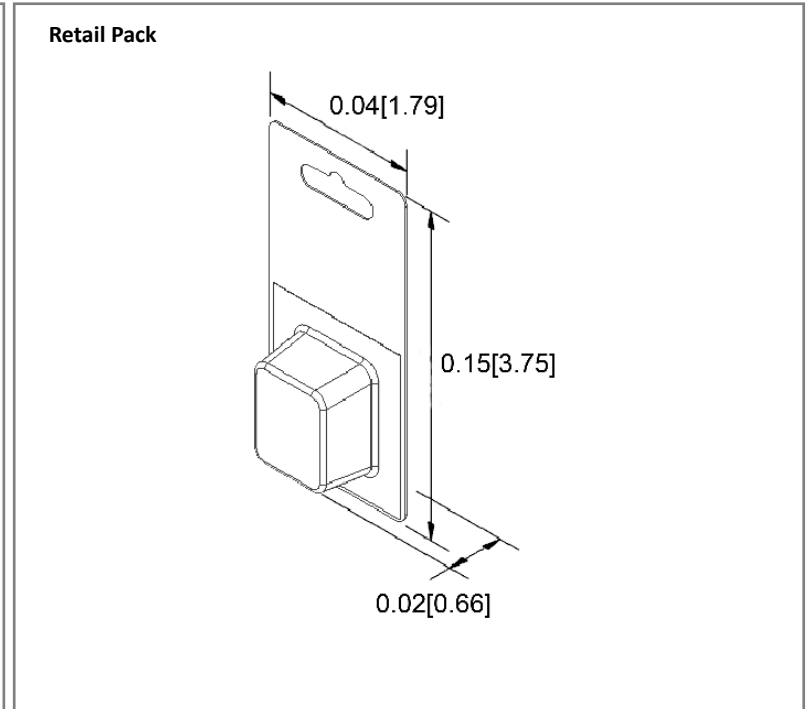
## MRCBP4-PL



### Mechanical Dimensions: Inches [mm]



### Retail Pack: Inches [mm]



### Part Numbers Information

Amperage	Body Color	Bulk Part #	Retail Pack # Blister Card	Pack Size
5A	Light Brown	MRCBP4-PL-5A	MRCBP4-PL-5A-BP	1
6A	Black	MRCBP4-PL-6A	-	-
7.5A	Brown	MRCBP4-PL-7.5A	MRCBP4-PL-7.5A-BP	1
8A	Brown	MRCBP4-PL-8A	-	-
10A	Red	MRCBP4-PL-10A	MRCBP4-PL-10A-BP	1
15A	Blue	MRCBP4-PL-15A	MRCBP4-PL-15A-BP	1
20A	Yellow	MRCBP4-PL-20A	MRCBP4-PL-20A-BP	1
25A	White	MRCBP4-PL-25A	MRCBP4-PL-25A-BP	1
30A	Green	MRCBP4-PL-30A	MRCBP4-PL-30A-BP	1

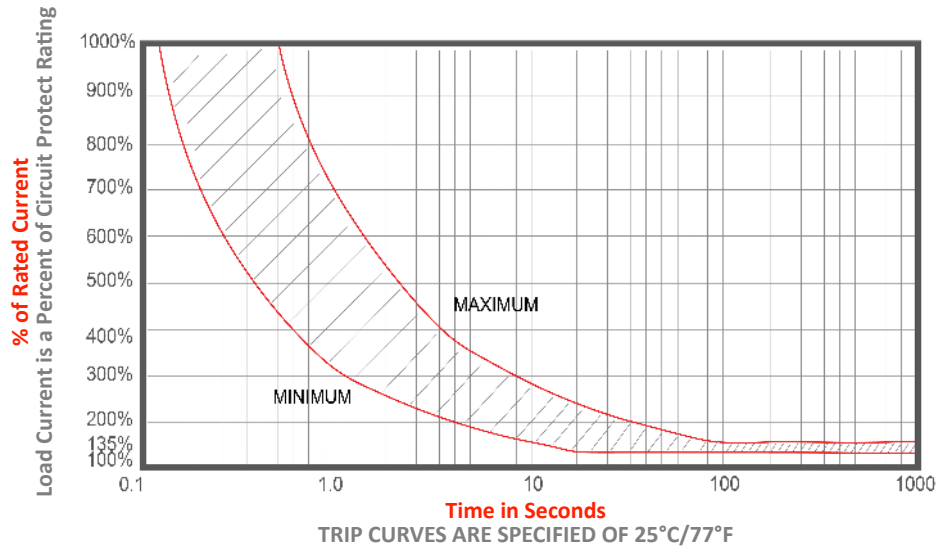
### Electrical Specifications

Voltage Rating	28VDC
Reset Type	Type III – Manual Reset
Interrupt Rating	2000A @ 28VDC
Testing	SAE J553 Type III
Operation Temperature	-40° C ~ 85° C
Storage Temperature	-40° C ~ 125° C

### Material Specifications

Regular (ATO/ATC Style) Blade Circuit Breaker	
Body	Thermoplastic – (UL Rated 94-V-0)
Terminals	Tin plated Brass Alloy
Ignition Protected	UL1500

**Time vs. Percent of Rated Current**



Rev	Date of issue	Revision Notes	Designed	Approved
A	05-30-2023	Initial Drawing	RC	OF