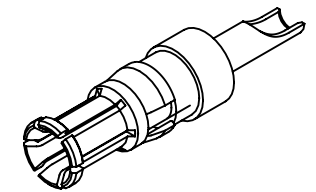
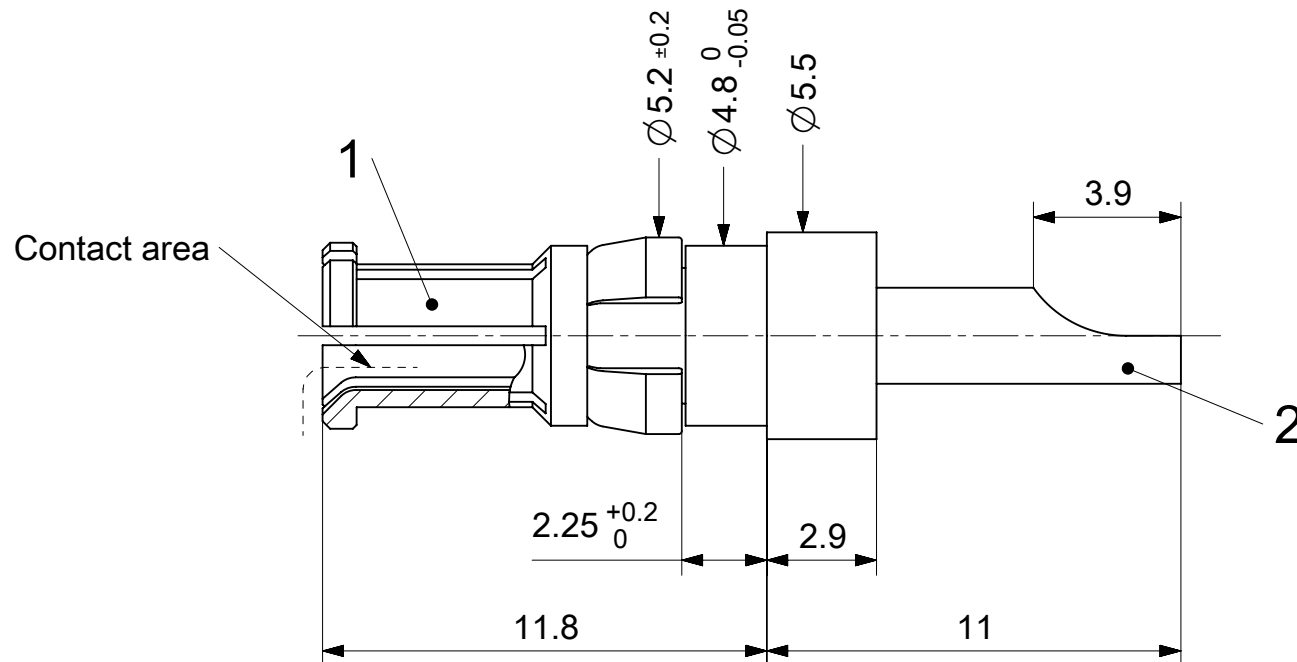


For plug $\varnothing 2.7\text{mm}$



2:1

RoHS compliant
by exemption

1731120045	FMA026S103	103
1731121807	FMA026S104	104
1731121195	FMA026S105	105
Material Number	FCT Part Number	Material + Finish See extra sheet

UNLESS OTHERWISE SPECIFIED DIMENSIONS FOR REFERENCE ONLY				REPLACEMENT FOR DOCUMENT NUMBER: FMA026S			
THIS DRAWING CONTAINS INFORMATION THAT IS PROPRIETARY TO MOLEX ELECTRONIC TECHNOLOGIES, LLC AND SHOULD NOT BE USED WITHOUT WRITTEN PERMISSION							
FUNCTIONAL SYMBOLS	DIMENSION UNITS	SCALE	CURRENT REV DESC:				
	mm	5:1	EC NO: 710158				
GENERAL TOLERANCES (UNLESS SPECIFIED)	ANGULAR TOL ± °		DRWN: VLOKESHA 2021/06/14				
	4 PLACES ±	CHK'D: FVETTER 2022/06/13					
DIVISIONAL SYMBOLS	3 PLACES ±	APPR: FVETTER 2022/06/13					
	2 PLACES ±	INITIAL REVISION:					
	1 PLACE ±	DRWN: VLOKESHA 2021/06/14					
	0 PLACES ±	APPR: FVETTER 2022/06/13					
DRAFT WHERE APPLICABLE MUST REMAIN WITHIN DIMENSIONS		FIRST ANGLE PROJECTION	DRAWING	SERIES	MATERIAL NUMBER	CUSTOMER	SHEET NUMBER
			A4-SIZE	173112	SEE TABLE	GENERAL MARKET	1 OF 1
			DOCUMENT NUMBER		DOC TYPE	DOC PART	REVISION
			1731120045		PSD	000	A

molex

FCT 10A HIGH POWER CONTACT
FOR D-SUB

PRODUCT CUSTOMER DRAWING

DOCUMENT STATUS	P1	RELEASE DATE	2022/06/13	13:27:14
-----------------	----	--------------	------------	----------