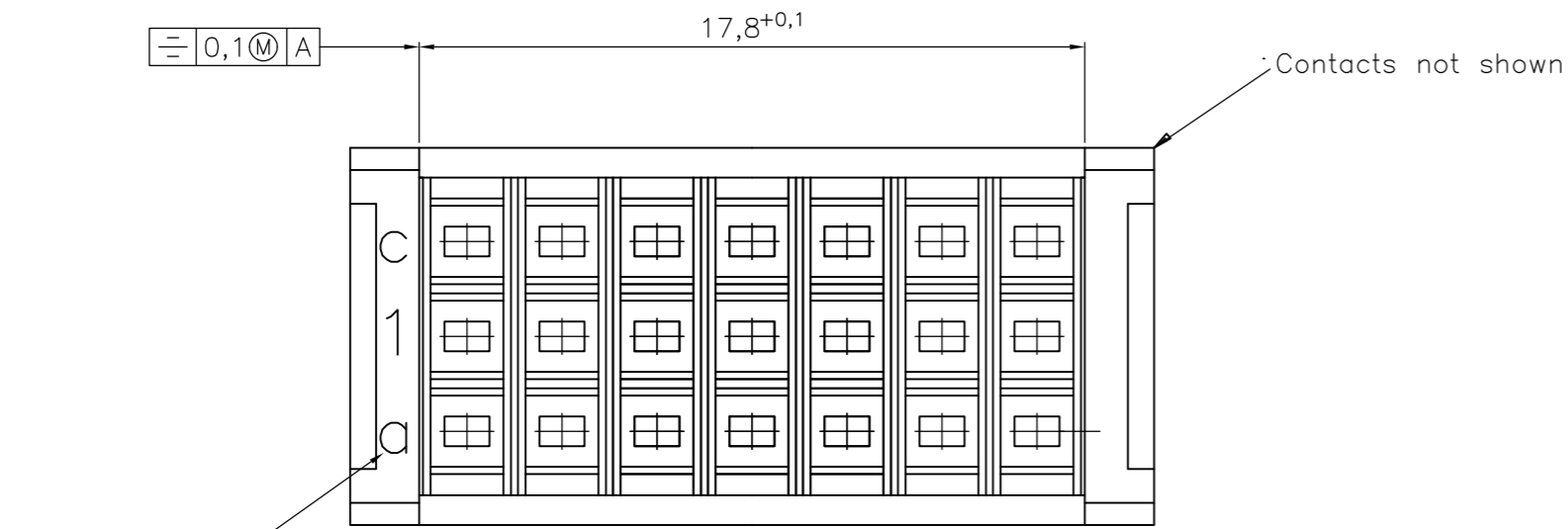
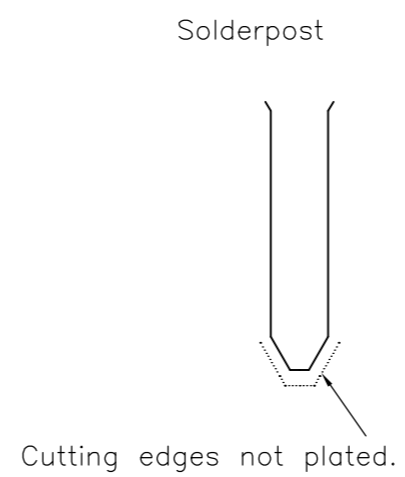


THIS DRAWING IS UNPUBLISHED. RELEASED FOR PUBLICATION  
 © COPYRIGHT BY TYCO ELECTRONICS CORPORATION. ALL INTERNATIONAL RIGHTS RESERVED.

LOC	DIST	REVISIONS					
		P	LTR	DESCRIPTION	DATE	DWN	APVD
H	-		A	WO 00/7012	20-07-09	-	VS
			B	SR10-0250-02	24-05-02	-	BC
			B1	ECR-09-015706	24-11-09	AEG	MKO



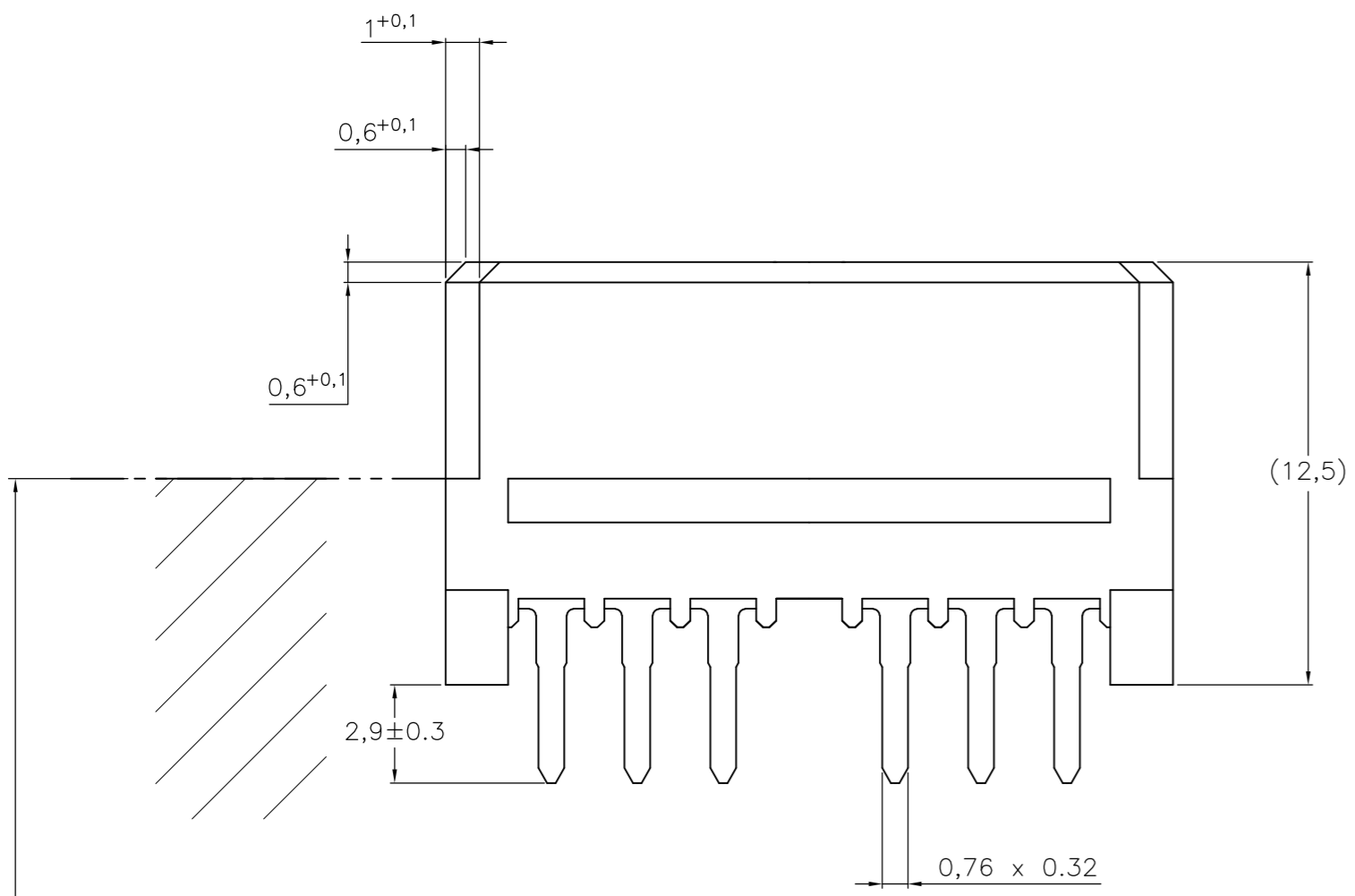
Marking E2-8  
 DIN 30640;  
 0.2 raised.



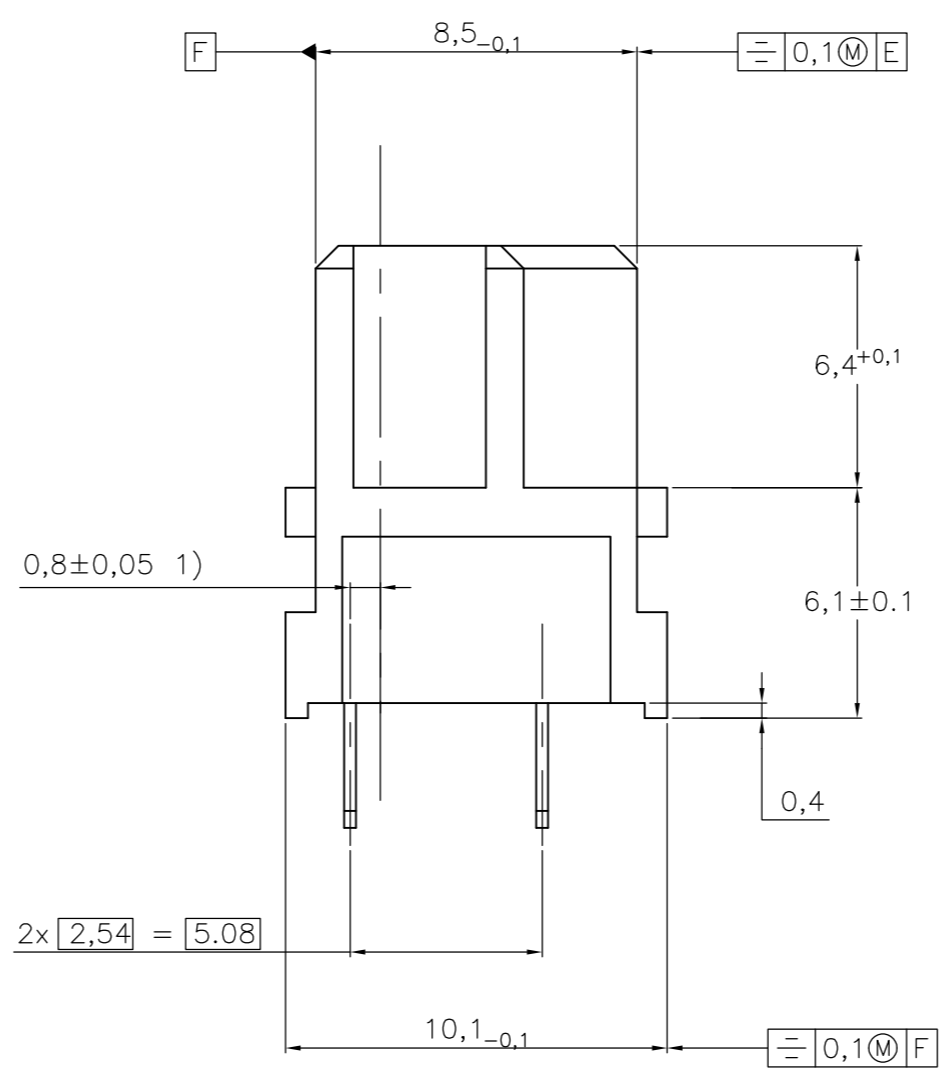
Loading Pattern (12 contacts)

	1	2	3	4	5	6	7
Row a	+	+	+	o	+	+	+
Row b	o	o	o	o	o	o	o
Row c	+	+	+	o	+	+	+

+ = contact  
 o = no contact



Immersion-depth  
 for anti-flux treatment

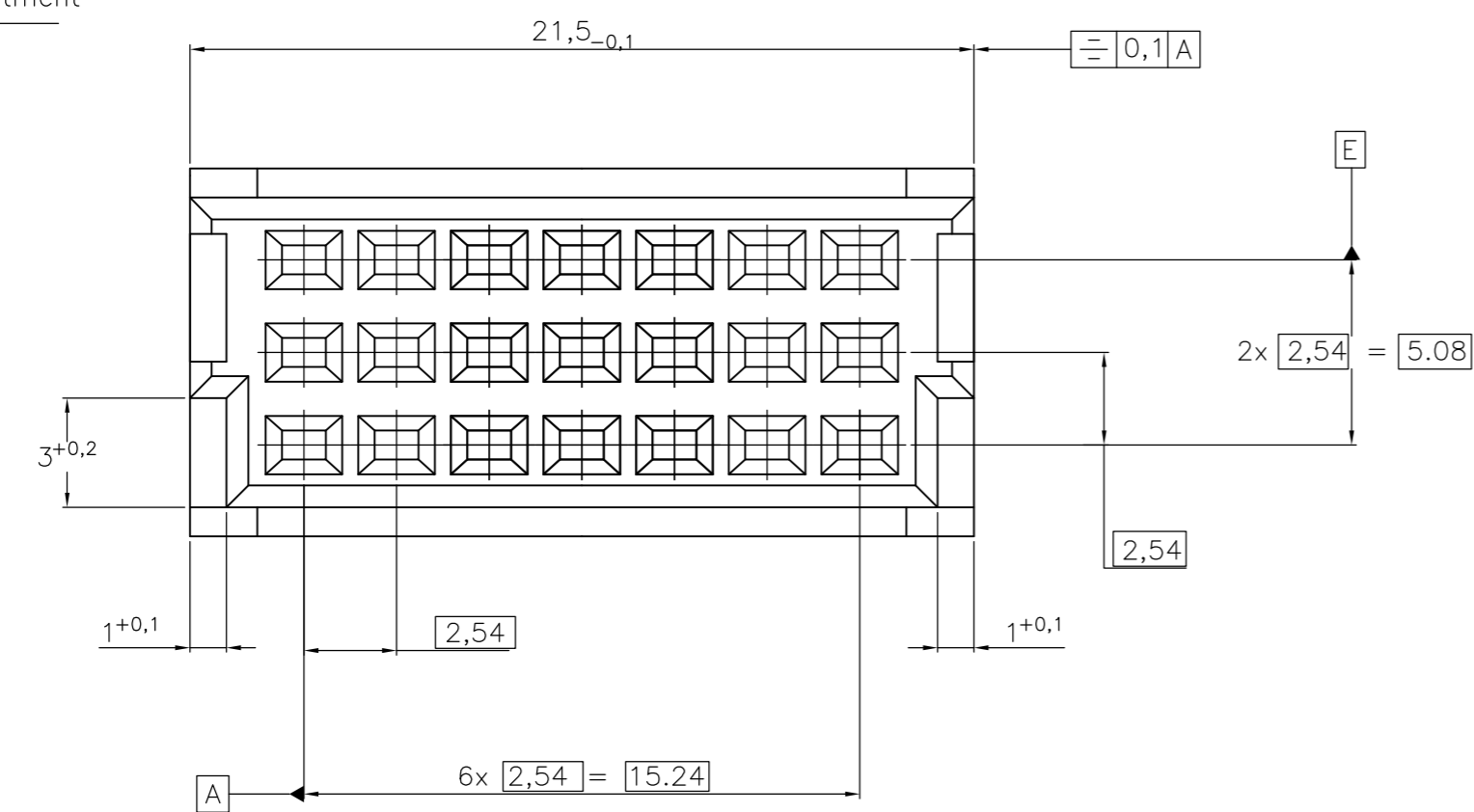


Specifications acc. IEC 603-2. Performance Level 2

Housing : PBTP 30% Glasfilled (UL94-V0)  
 Pebblegrey similar RAL 7032

Contact material : Copper Alloy

Plating : Contact area : PdNi+Au or Au  
 Termination area : Sn  
 with flux-tight coating.



1) Center-displacement between termination- and contact-side.

Active Partnumber. Contact Tyco Electronics for other configuration availability

Old Partnumber	TE part number
V42254-F2299-R3	1393657-2

THIS DRAWING IS A CONTROLLED DOCUMENT.		DWN Cuvelier	10JUN98	Tyco Electronics Corporation 's-Hertogenbosch, Nederland	
DIMENSIONS: mm		CHK -	APVD PD COM	NAME Receptacle Ass'y, Type R, 21 pos. V42254-F2299-R3-*--26	
TOLERANCES UNLESS OTHERWISE SPECIFIED:		PRODUCT SPEC -	APPLICATION SPEC -	SIZE A2	CAGE CODE 00779
0 PLC ± - 1 PLC ± - 2 PLC ± - 3 PLC ± - 4 PLC ± - ANGLES ± -		WEIGHT -	SCALE 5:1;10:1	DRAWING NO C=1393657-2	RESTRICTED TO -
MATERIAL -		CUSTOMER DRAWING		SHEET 1 of 1	REV B1