

APPLICATIONS

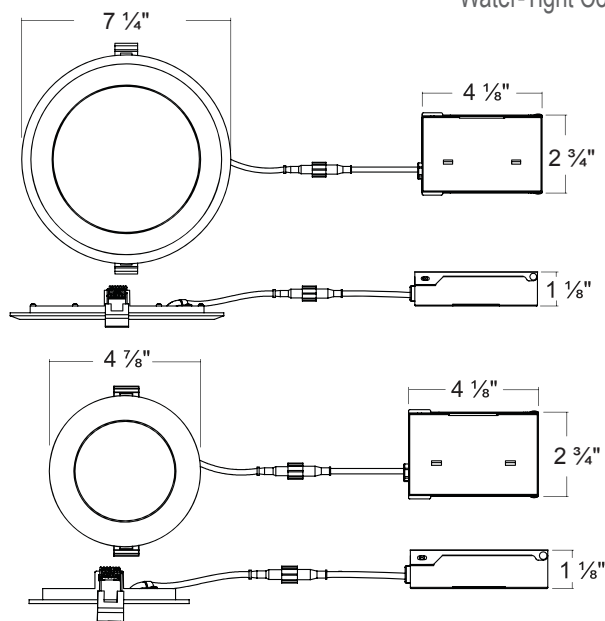
Energy efficient LED Flat Round Panel provide quick and easy installation with no can required. Durable powder-coated diecast trim with enclosed J-box is attached with a water-tight connection. Pre-installed plastic clips for easy installation. The Round LED Flat Retrofit Kit can be used in new construction applications as a can-less downlight.



Water-Tight Connector

FEATURES

- Dimmable down to 5% with most market dimmers (120V only).
- 120V Driver standard (120-277V also available) / 50/60Hz.
- Small, lightweight J-box standard.
- Long life, 50,000 hour LEDs.
- 5 year warranty



MODEL	DESCRIPTION	WATT	LUMENS	COLOR TEMPERATURE	CRI	ENERGY STAR
CLRFP4-1030	4" LED Flat Round Panel	10	500	3000K	≥90	YES
CLRFP4-1040	4" LED Flat Round Panel	10	500	4000K	≥90	YES
CLRFP4-1050	4" LED Flat Round Panel	10	500	5000K	≥90	YES
CLRFP6-1530	6" LED Flat Round Panel	15	800	3000K	≥90	YES
CLRFP6-1540	6" LED Flat Round Panel	15	800	4000K	≥90	YES
CLRFP6-1550	6" LED Flat Round Panel	15	800	5000K	≥90	YES