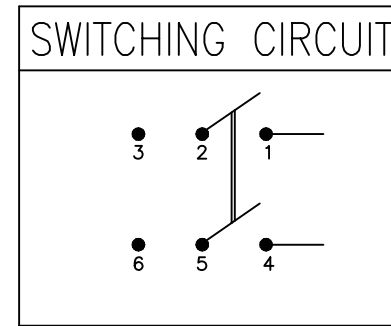
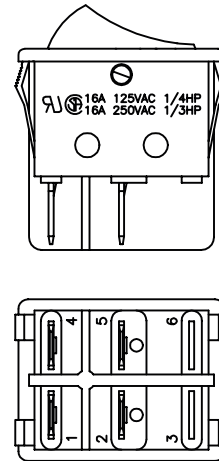
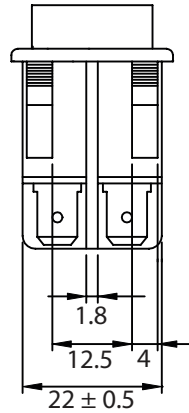
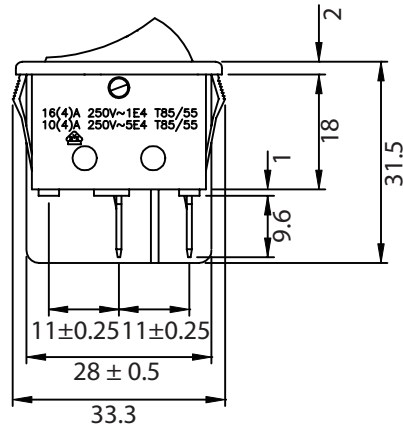
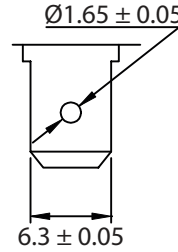
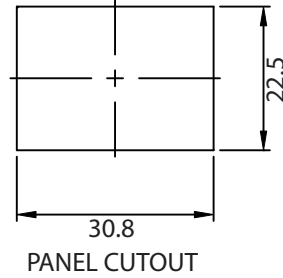
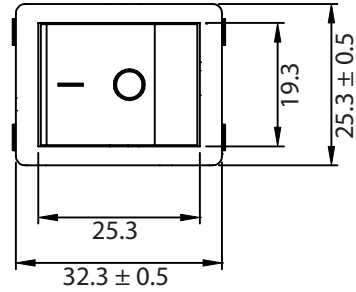


THESE DRAWINGS ARE THE PROPERTY OF QUALTEK ELECTRONICS AND NOT TO BE REPRODUCED FOR OR COMMUNICATED TO A THIRD PARTY WITHOUT THE EXPRESS WRITTEN PERMISSION OF AN OFFICER OF QUALTEK ELECTRONICS.

REVISION			
REV.	DESCRIPTION	DATE	APPROVED
B	RoHS Compliancy	06-01-06	DP



**CONTROLLED**

NOTES:

RATING:

UL, CSA: 16A 250V AC 1/3HP/ 16A 125V AC 1/4HP

VDE: 16(4)A 250V AC T85/ 16(4)A 250V AC T85)

APPROVALS: UL, CSA, VDE

RoHS COMPLIANT

Dim range (mm)	Tolerance +/- (mm)	Qualtek Electronics Corp. PPC DIVISION		
		Part Number: 737W-C/01	RoHS Compliant	
0-1	0.15	Description: <b>ROCKER SWITCH</b>		
1-6	0.20			
6-18	0.30		UNIT: mm	REV. B
18-50	0.50			
50-120	0.70	Drawn / Date	Checked / Date	Approved / Date
120-250	0.90	K.HUANG 11-21-98	11-21-98	JJH / 11-21-98
250-500	1.20			