

**Ratings**

Temperature: -40 ~ 70 °C  
Voltage: 150 V

**Conductor**

Gauge: 24 AWG 0.21 mm<sup>2</sup>  
Material: tinned copper strands  
Strand size:  $\varnothing 0.08 \times 41$   
Resistance at 20 °C: 95  $\Omega$  /km max

**Insulator**

Material: HDPE  
Color: blue, yellow, white, black, red  
Diameter:  $\varnothing 1.05 \pm 0.10$  mm  
Nominal thickness: 0.15 mm  
Resistance at 20 °C: 1000 M $\Omega$  /km min

**Shield**

Type: spiral  
Material: tinned copper strands  
Stranding:  $\varnothing 0.08$  mm  
Coverage: 90 % min

**Outer jacket**

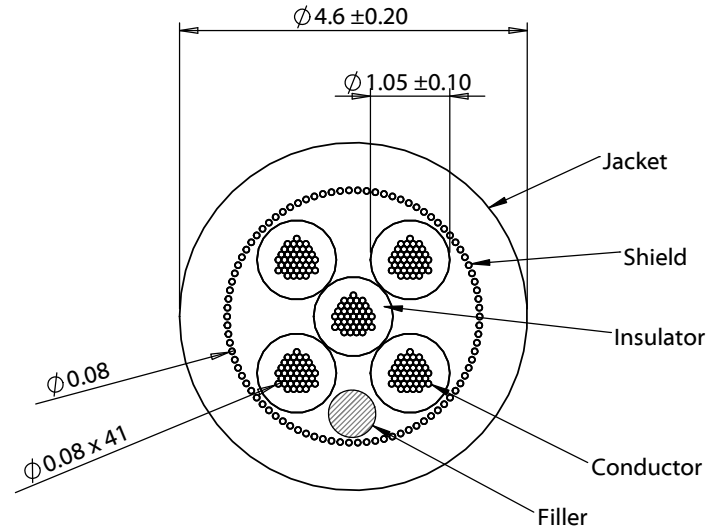
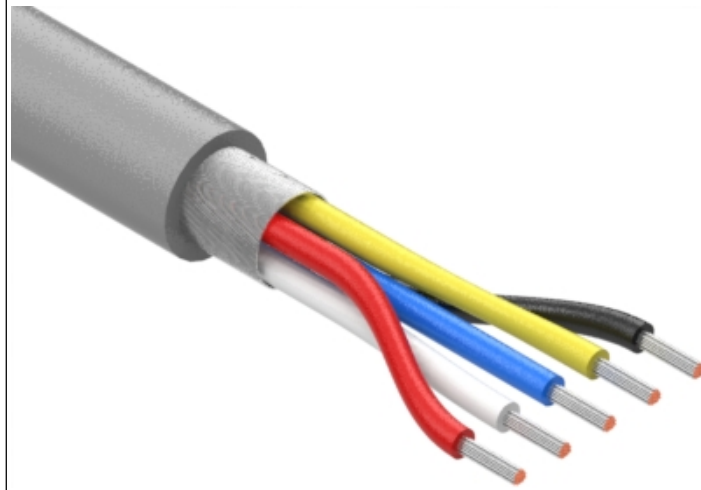
Material: TPU  
Color: gray (Cool Gray 9C)  
Nominal thickness: 0.50 mm  
Diameter:  $\varnothing 4.6 \pm 0.20$  mm

**Filler**

Material: aramid fiber

**Tests**

Tensile strength: 35.7 kgf  
Dielectric test: 1500 V dc for 1 minute without breakdown  
Bend test at 200 g,  $\pm 90^\circ$ , 30 cycles /min: 15,000 cycle minimum



Revision:	Date:	Description:
A	10/11/2018	Initial release
A1	1/18/2019	Changed filler material to generic name

Prepared: <b>PS</b> <small>Digitally signed by PS Date: 2019.07.02 11:12:16 -07'00'</small>
Verified: <b>GL</b> <small>Digitally signed by GL Date: 2019.07.02 11:30:43 -07'00'</small>
Dimensions are in millimeters. Tolerances: X: $\pm 0.5$ mm X.X: $\pm 0.3$ mm X.XX: $\pm 0.05$ mm

Notes: RoHS compliant Jacket meets ISO 10993 Biological Compatibility Phthalate and halogen free Function test: no open, no short, no intermittent
Description: Wire, 5C TS, 24 AWG, 150V, 70C, 4.6 mm, shielded, TPU, 75A, gray, WBL

# TENSILITY

tel 1.541.323.3228 800 877.670.7118  
fax 1.541.323.4202 web tensility.com

Size: A	Part number: <b>30-01122</b>
Scale: 10:1	

Sheet 1 of 1