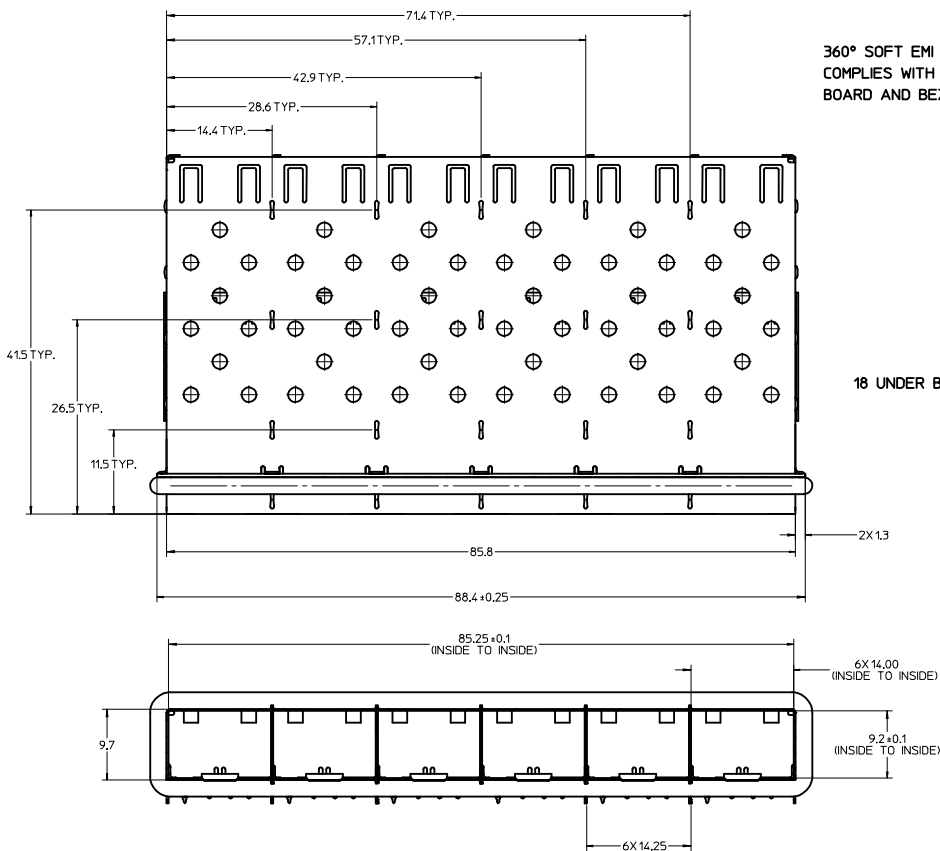


3D MODEL: EM-74747-001\_ASSY



360° SOFT EMI BEZEL GASKET COMPLIES WITH (SFP) MSA BOARD AND BEZEL LOCATIONS

18 UNDER BELLY EMI PINS

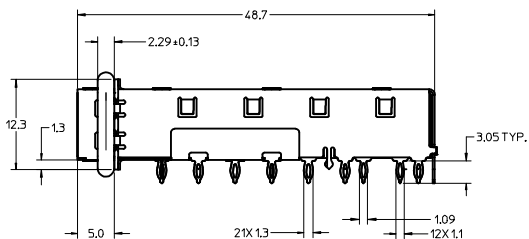
EMI FINGERS CONTACT ADAPTER

INNER WALL TABS ARE COINED OVER BASE AND COVER FOR RIGIDITY

TABS USED TO ATTACH LIGHT PIPE COVER

GASKET SEAM LOCATED ON SIDE OF CAGE

DIMENSIONS OF EACH INNER CAGE DESIGNED TO FUNCTION WITH SMALL FORM-FACTOR PLUGGABLE (SFP) TRANSCEIVER



PART NO AND WEEK/YEAR DATE CODE TO BE PRINTED ON BACK OF COMPLETED CAGE ASSEMBLY AS SHOWN USING INK OART NO. 16-8420 SEE TABLE FOR DATE CODE INFORMATION.

NOTES:

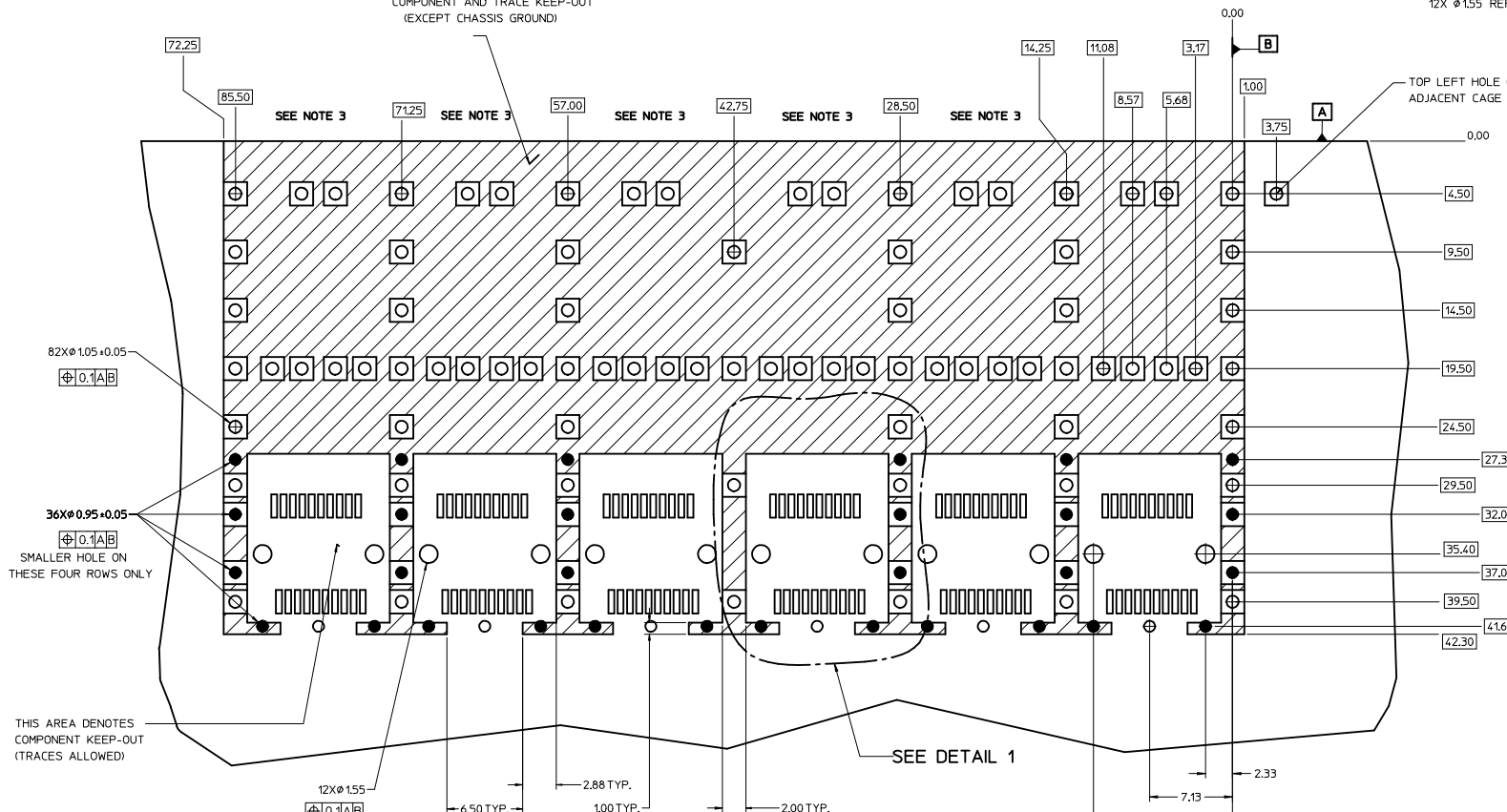
- PRESS FIT LEGS 3.05mm\* LONG-  
1.57 MINIMUM PCB THICKNESS FOR SINGLE SIDED USE.  
3.00 MINIMUM PCB THICKNESS FOR BELLY TO BELLY USE.  
INSERTION FORCE INTO PCB: <100 LBS.
- MATERIAL: COPPER ALLOY  
PLATING: PRE-PLATED NICKEL
- REFERENCE DOCUMENTS:  
PRODUCT SPECIFICATION: PS-74728-000  
COSMETIC SPECIFICATIONS: WI-HP-7-2774 AND WI-HPA-7-0093
- MATES WITH SERIES 74748, LIGHT PIPE COVER ASSEMBLY.
- No RoHS EXEMPTIONS

DATE	WEEK/YEAR	DATE CODE	TABLE
WK	01 THRU 52	EXAMPLE: 01 = FIRST WEEK OF YEAR 52 = LAST WEEK OF YEAR	
YR	16, 17, 18, ETC.	EXAMPLE: YEAR 2016 = 16	

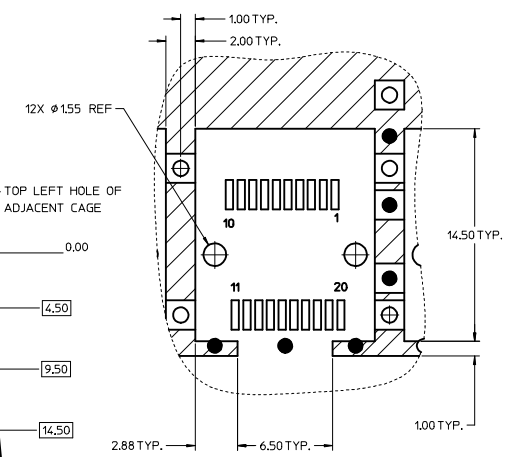
ENTER DESCRIPTION EC NO: CPG2016-3795 DRAWN BY: DRWNINGHANG04 CHKD: 2016/04/21 APPROVED BY: 2016/04/26	QUALITY SYMBOLS ▽=0 ▽=0 ▽=0	GENERAL TOLERANCES (UNLESS SPECIFIED)		DIMENSION STYLE MM ONLY	SCALE 3:1	DESIGN UNITS METRIC	THIRD ANGLE PROJECTION
		mm	INCH				
		4 PLACES	± .005	± .0005	DRAWN BY: KSI MONSO DATE: 2004/07/08	TITLE 1X6 SFP GANGED CAGE ASSEMBLY, W/ .090 OD GASKET <b>molex</b>	
		3 PLACES	± .005	± .0005	CHECKED BY: BRUSSELL DATE: 2004/07/08		
		2 PLACES	± 0.13	± .005	APPROVED BY: BRUSSELL DATE: 2004/07/08		
		1 PLACE	± 0.18	± .005			
		0 PLACE	± .005	± .005		MATERIAL NO. 747470001 DOCUMENT NO. SD-74747-001	
DRAFT WHERE APPLICABLE MUST REMAIN WITHIN DIMENSIONS		ANGULAR ± 1 °		SIZE D		SHEET NO. 1 OF 5	
THIS DRAWING CONTAINS INFORMATION THAT IS PROPRIETARY TO MOLEX INCORPORATED AND SHOULD NOT BE USED WITHOUT WRITTEN PERMISSION							

# PCB LAYOUT FOR BELLY TO BELLY MOUNTING

CROSS-HATCHED AREA DENOTES  
COMPONENT AND TRACE KEEP-OUT  
(EXCEPT CHASSIS GROUND)



## HOST CONNECTOR DETAIL



Detail  
SCALE 6:1

- 1.PADS AND VAIS GO CHASSIS GROUND, (94 PLACES).  
RECOMMENED PADS TO BE 2mm SQUARE
- 2.PLATING OPTIONAL FOR THROUGH GOLES, (24 PLACES).
- 3.HOLE PATTERN REPEATS FOR EACH PORT.  
SPACING BETWEEN PORTS IS 14.25mm.
- 4.CONNECTOR PAD LAYOUT PER SFP MSA WILL ACCOMMODATE  
MOLEX CONNECTOR SERIES 74441 OR EQUIVALENT

SEE DETAIL 1

<b>ENTER DESCRIPTION</b> EC NO: CPG2016-3795 DRAWN: CHANG04 2016/04/21 CHKD: APPR: RCHEN08 2016/04/26 REV:	QUALITY SYMBOLS	GENERAL TOLERANCES (UNLESS SPECIFIED)	DIMENSION STYLE	SCALE	DESIGN UNITS	THIRD ANGLE PROJECTION
	▽=0	4 PLACES ± --- ± ---	MM ONLY	5:1	METRIC	☉
	▽=0	3 PLACES ± --- ± ---				
	▽=0	2 PLACES ± 0.13 ± ---				
		1 PLACE ± 0.18 ± ---				
		0 PLACE ± ±				
		ANGULAR ± 1 °				
		DRAFT WHERE APPLICABLE MUST REMAIN WITHIN DIMENSIONS				
			MATERIAL NO.	DOCUMENT NO.		
			747470001	SD-74747-001		
						SHEET NO. 2 OF 5

TITLE  
1X6 SFP GANGED CAGE ASSEMBLY, W/ .090 OD GASKET

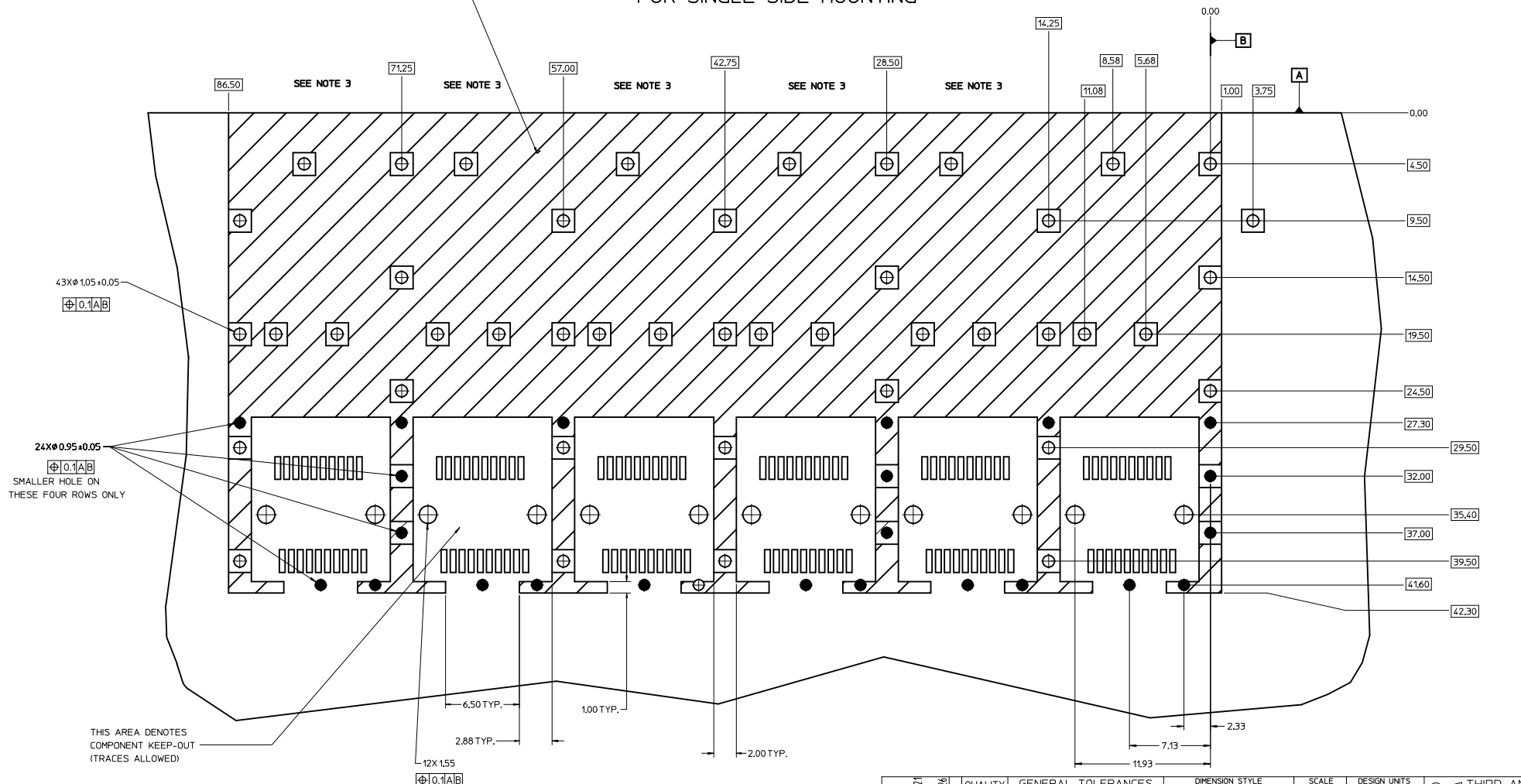
**molex**

THIS DRAWING CONTAINS INFORMATION THAT IS PROPRIETARY TO MOLEX INCORPORATED AND SHOULD NOT BE USED WITHOUT WRITTEN PERMISSION

# PCB LAYOUT FOR SINGLE SIDE MOUNTING

20 19 18 17 16 15 14 13 12 11 10 9 8 7 6 5 4 3 2 1

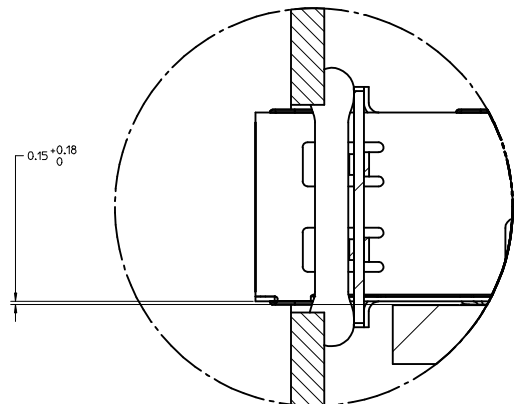
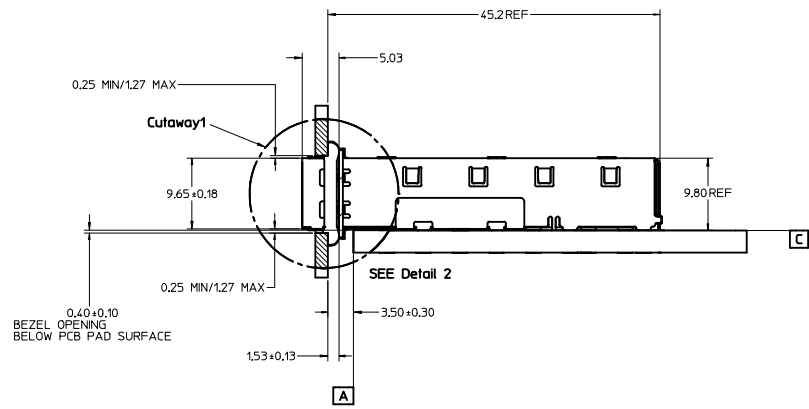
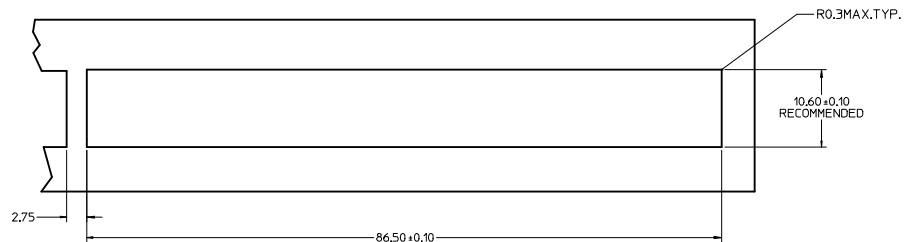
CROSS-HATCHED AREA DENOTES  
COMPONENT AND TRACE KEEP-OUT  
(EXCEPT CHASSIS GROUND)



- NOTES:**
1. PADS AND VIAS GO TO CHASSIS GROUND. (48 PLACES).  
RECOMMENDED PADS TO BE 2mm SQUARE.
  2. PLATING OPTIONAL FOR THROUGH HOLES. (18 PLACES).
  3. HOLE PATTERN REPEATS FOR EACH PORT.  
SPACING BETWEEN PORTS IS 14.25mm.

<b>ENTER DESCRIPTION</b> EIC NO: CPG2016-3795 CHYD: DRWN: HCHANG04 2016/04/21 APPR: RCHEN08 2016/04/26	QUALITY SYMBOLS	GENERAL TOLERANCES (UNLESS SPECIFIED)	DIMENSION STYLE	SCALE	DESIGN UNITS	THIRD ANGLE PROJECTION
	▽=0	mm INCH	MM ONLY	6:1	METRIC	
	▽=0	4 PLACES ± --- ± ---				
	▽=0	3 PLACES ± --- ± ---				
		2 PLACES ± 0.13 ± ---				
		1 PLACE ± 0.18 ± ---				
		0 PLACE ± ±				
		ANGULAR ± 1 °				
		DRAFT WHERE APPLICABLE MUST REMAIN WITHIN DIMENSIONS				
			MATERIAL NO.	DOCUMENT NO.		
			747470001	SD-74747-001		
						SHEET NO. 3 OF 5
			THIS DRAWING CONTAINS INFORMATION THAT IS PROPRIETARY TO MOLEX INCORPORATED AND SHOULD NOT BE USED WITHOUT WRITTEN PERMISSION			

19 18 17 16 15 14 13 12 11 10 9 8 7 6 5 4 3 2 1



Detail 2  
Scale 8:1

<b>ENTER DESCRIPTION</b> IEC NO: CPG2016-3795 DRAWN BY: DRW:CHANG04 2016/04/27 CHKD: APPR:RCHEN08 2016/04/26 REV:	QUALITY SYMBOLS	GENERAL TOLERANCES (UNLESS SPECIFIED)	DIMENSION STYLE	SCALE	DESIGN UNITS	THIRD ANGLE PROJECTION
	▽=0	4 PLACES ± --- ± ---	MM ONLY	4:1	METRIC	☉
	▽=0	3 PLACES ± --- ± ---				
	▽=0	2 PLACES ± 0.13 ± ---				
		ANGULAR ± 1 °	MATERIAL NO.	DOCUMENT NO.	SHEET NO.	
		DRAFT WHERE APPLICABLE MUST REMAIN WITHIN DIMENSIONS	747470001	SD-74747-001	4 OF 5	
			THIS DRAWING CONTAINS INFORMATION THAT IS PROPRIETARY TO MOLEX INCORPORATED AND SHOULD NOT BE USED WITHOUT WRITTEN PERMISSION			

1X6 SFP GANGED  
CAGE ASSEMBLY  
W/.090 OD GASKET

**molex**

REV.	DATE	DESCRIPTION
D	2015/03/16	1.UPDATED 3.37[85.5] TO 85.25 +/-0.1 (INSIDE TO INSIDE) @G16 [SHEET 1] 2.UPDATED 0.36[9.2] TO 9.2 +/-0.1 (INSIDE TO INSIDE) @F12 [SHEET 1] 3.UPDATED 0.551[14.00]X6 TO 6X14.00 (INSIDE TO INSIDE) @F13 [SHEET 1] 4.UPDATED 0.05[1.3]X2 TO 2X1.3 @H12 [SHEET 1] 5.UPDATED 0.561[14.25]X6 TO 6X14.25 @E14 [SHEET 1] 6.UPDATED 0.05[1.3]X21 TO 21X1.3 @E8 [SHEET 1] 7.UPDATED 0.04[1.1]X12 TO 12X1.1 @E6 [SHEET 1] 8.UPDATED 0.31[0.80]X18 TO 18X0.80 @H3 [SHEET 2] 9.UPDATED $\phi$ .041+0.002[1.05+0.05]X82 TO 82X $\phi$ 1.05+/-0.05 @H19 [SHEET 2] 10.UPDATED $\phi$ .037+/-0.002[0.95+/-0.05]X36 TO 36X0.95+/-0.05 @F19 [SHEET 2] 11.UPDATED $\phi$ .061[1.55]X12 TO 12X $\phi$ 1.55 @F15 [SHEET 2] 12.UPDATED $\phi$ .041+/-0.002[1.05+/-0.05]X43 TO 43X $\phi$ 1.05+/-0.05 @I19 [SHEET 3] 13.UPDATED $\phi$ .037+/-0.002[0.95+/-0.05]X24 TO 24X0.95+/-0.05 @G19 [SHEET 3] 14.UPDATED $\phi$ .061[1.55]X12 TO 12X1.55 @F14 [SHEET 3] 15.UPDATED 0.386[9.80] TO 9.80 REF @J3 [SHEET 4] 16.ADDED DETAIL 2 VIEW TO SHOW GAP FROM PCB PAD SURFACE TO CAGE BOTTOM SURFACE [SHEET 4] 17.CHANGED DIMENSION STYLE IN/MM TO MM ONLY IN ALL SHEETS 18.UPDATED DRAWING FORMAT IN ALL SHEETS
E	2016/04/22	SHEET 1: F3: CREATED BACK VIEWS C2: ADDED WEEK/YEAR DATE CODE TABLE A19: CHANGED NOTE 5. TO *NO RoHS EXEMPTIONS*

ENTER DESCRIPTION IEC NO: CPG2016-3795 DRAWN BY: DRW:HCANG04 2016/04/21 CHKD: APPR:RCHE08 2016/04/26 REV:	QUALITY SYMBOLS	GENERAL TOLERANCES (UNLESS SPECIFIED)	DIMENSION STYLE	SCALE	DESIGN UNITS	THIRD ANGLE PROJECTION
	$\nabla=0$ $\nabla=0$ $\nabla=0$	4 PLACES # mm # INCH 3 PLACES # # # 2 PLACES # 0.13 # # # 1 PLACE # 0.18 # # # 0 PLACE # # #	MM ONLY	1:1	METRIC	
	DRAFT WHERE APPLICABLE MUST REMAIN WITHIN DIMENSIONS	ANGULAR $\pm 1^\circ$ MATERIAL NO: 747470001	DRAWN BY: KS IMONSO CHECKED BY: BRUSSELL APPROVED BY: BRUSSELL	DATE: 2004/07/08 DATE: 2004/07/08 DATE: 2004/07/08	TITLE: 1X6 SFP GANGED CAGE ASSEMBLY, W/090 OD GASKET 	
		DOCUMENT NO: SD-74747-001 SHEET NO: 5 OF 5	THIS DRAWING CONTAINS INFORMATION THAT IS PROPRIETARY TO MOLEX INCORPORATED AND SHOULD NOT BE USED WITHOUT WRITTEN PERMISSION			