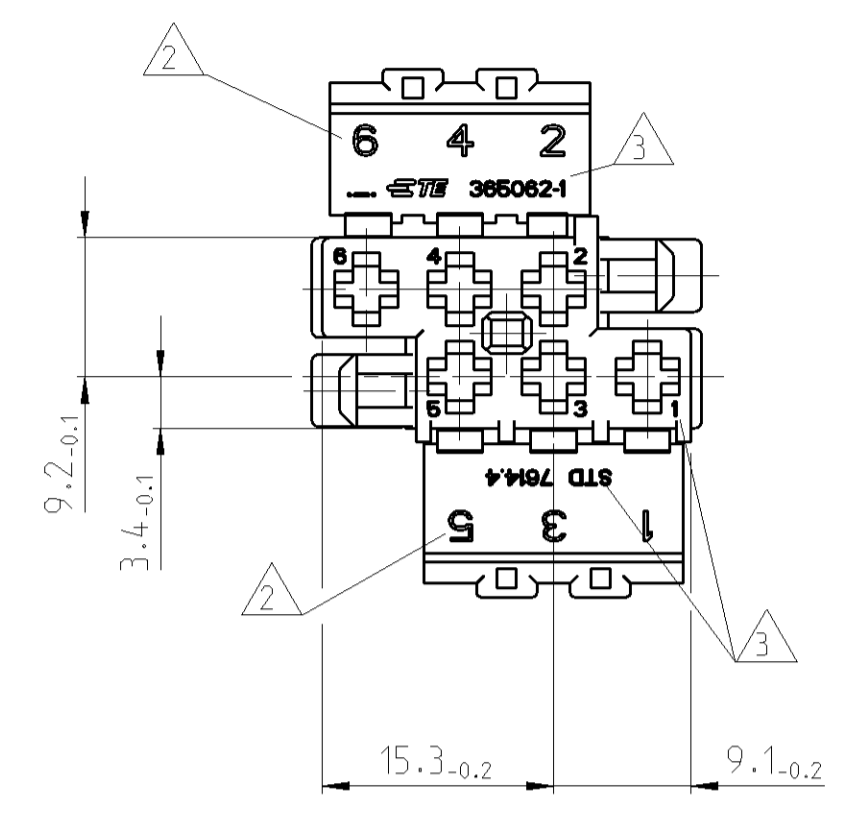
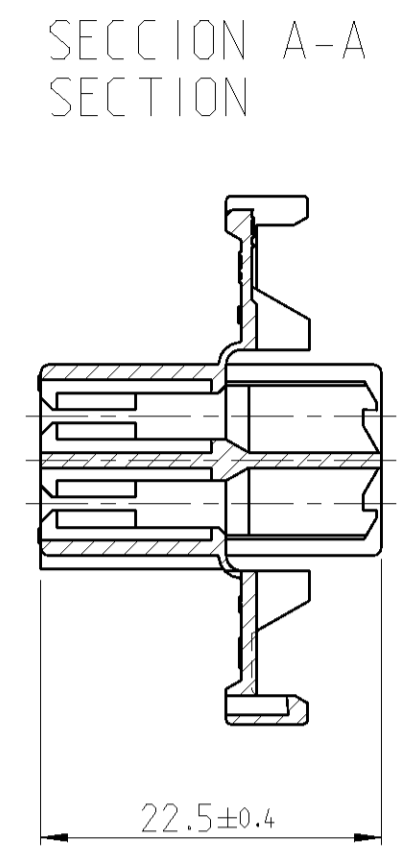
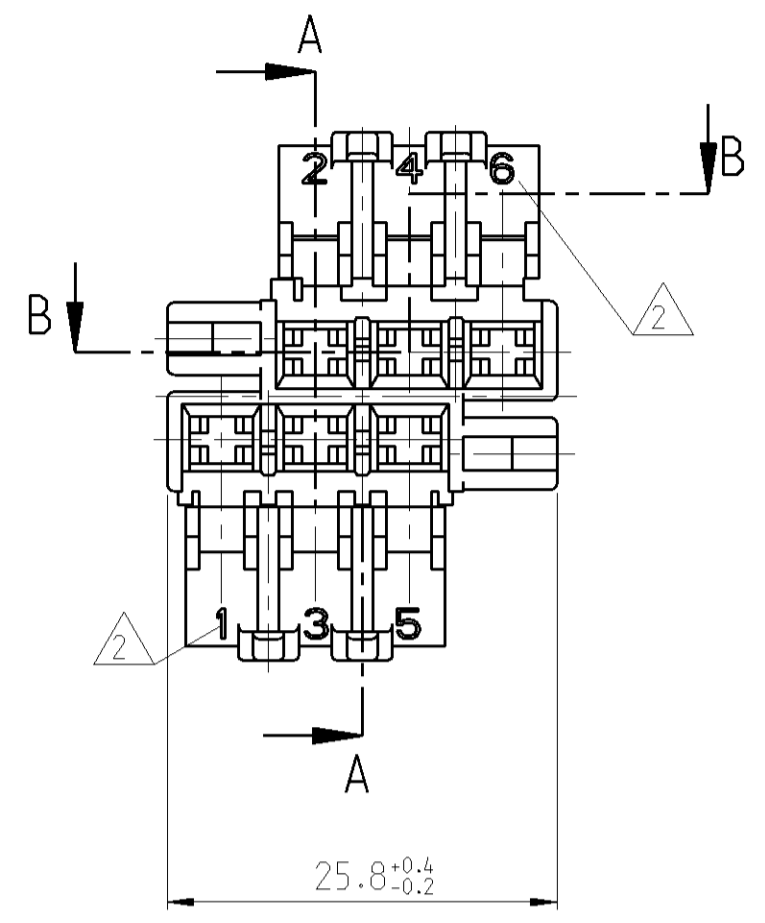
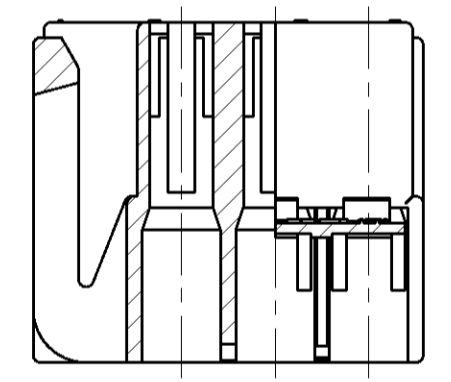


THIS DRAWING IS UNPUBLISHED. RELEASED FOR PUBLICATION 2011
 © COPYRIGHT 2011 ALL RIGHTS RESERVED.

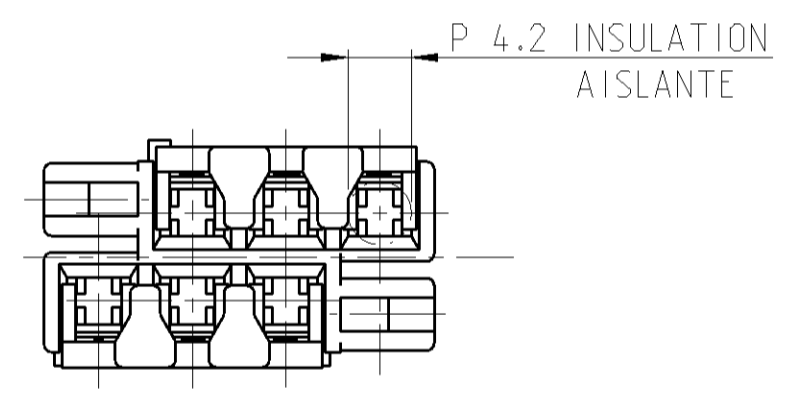
LOC	DIST	REVISIONS			
P	LTR	DESCRIPTION	DATE	DWN	APVD
AL	2	E1	ECR 12-004643	17APR2012	XP RS



SECCION B-B SECTION



DETALLE CAJA CON BISAGRA CERRADA HOUSING WITH FLAP



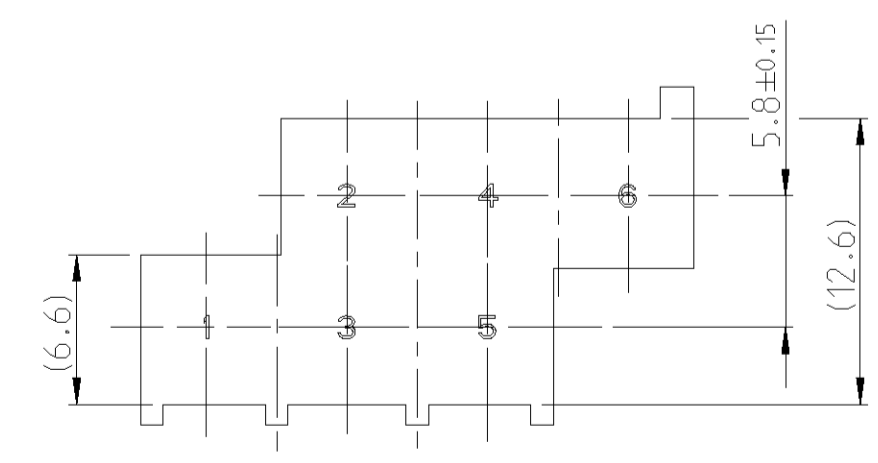
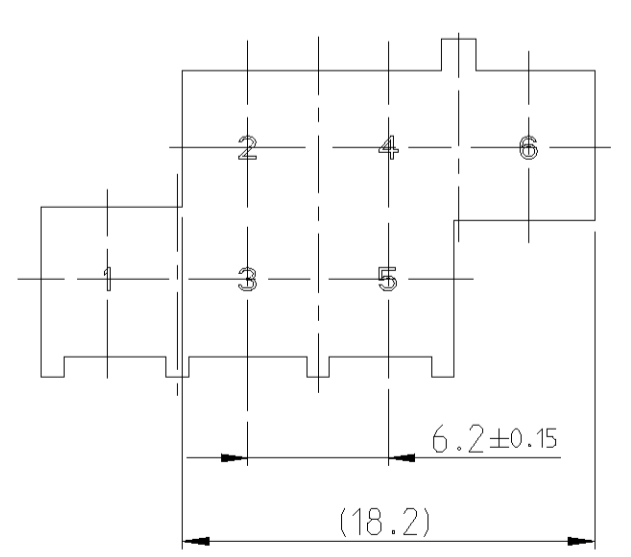
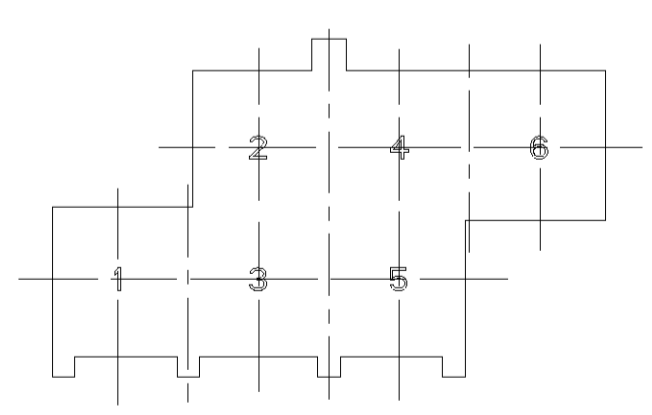
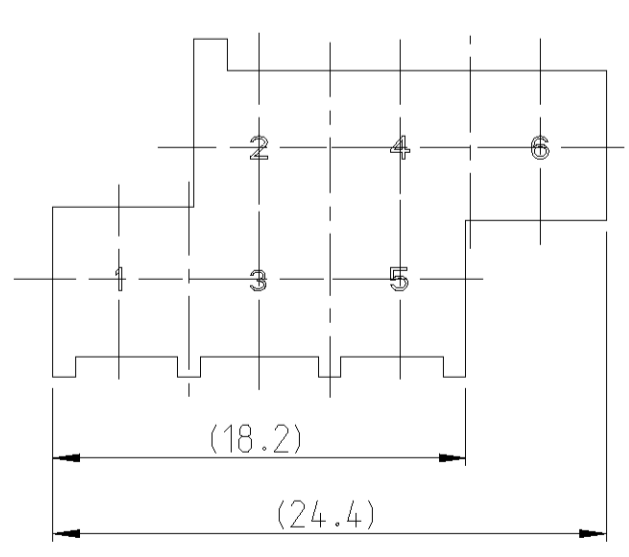
- 1 MATERIAL Y COLORES HAN DE ESTAR LIBRES DE CADMIO
MATERIAL AND COLORS ARE FREE OF CADMIUM
- 2 ALTURA LETRA 2
CHARACTER HEIGHT 2
- 3 ALTURA LETRA 1
CHARACTER HEIGHT 1
- 4 USAR CON 365061
FITTING WITH 365061
- 5 LAS PIEZAS DEBEN IR EMPAQUETADAS HERMETICAMENTE
Y SU CONTENIDO DE HUMEDAD DEBE SER 2.5±1%
PARTS MUST BE AIR TIGHT PACKAGED,
MOISTURE CONTENT MUST BE 2.5±1%

CODIGO 1 CODING

CODIGO 2 CODING

CODIGO 3 CODING

CODIGO 4 CODING



CODE NO.	PART NO.	MATERIAL	COLOUR
CODE 4	365062-4	PA 6.6	YELLOW
CODE 3	365062-3	PA 6.6	BLACK
CODE 2	365062-2	PA 6.6	GREY
CODE 1	365062-1	PA 6.6	NATUR

THIS DRAWING IS A CONTROLLED DOCUMENT.

DIMENSIONS: mm	TOLERANCES UNLESS OTHERWISE SPECIFIED:	DWN R. ULLRICH 19OCT1984	TE Connectivity NAME: 6 POS. HOUSING FOR JUNIOR TIMER CONTACT SIZE: A2 CAGE CODE: 00779 DRAWING NO: 365062 RESTRICTED TO: -
MATERIAL: SEE PART LIST	0 PLC ± 1 PLC ± 2 PLC ± ±0.2 3 PLC ± 4 PLC ± ANGLES ±° FINISH	CHK J. PASCUAL 15JUN1993	
		APVD L. BATILO 15JUN1993	
		PRODUCT SPEC: - APPLICATION SPEC: - WEIGHT: -	
CUSTOMER DRAWING		SCALE: 2:1	SHEET 1 OF 1 REV E1