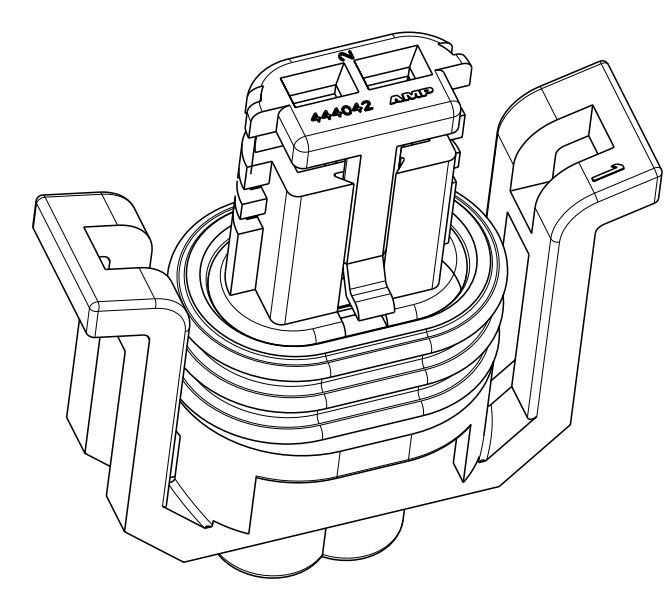
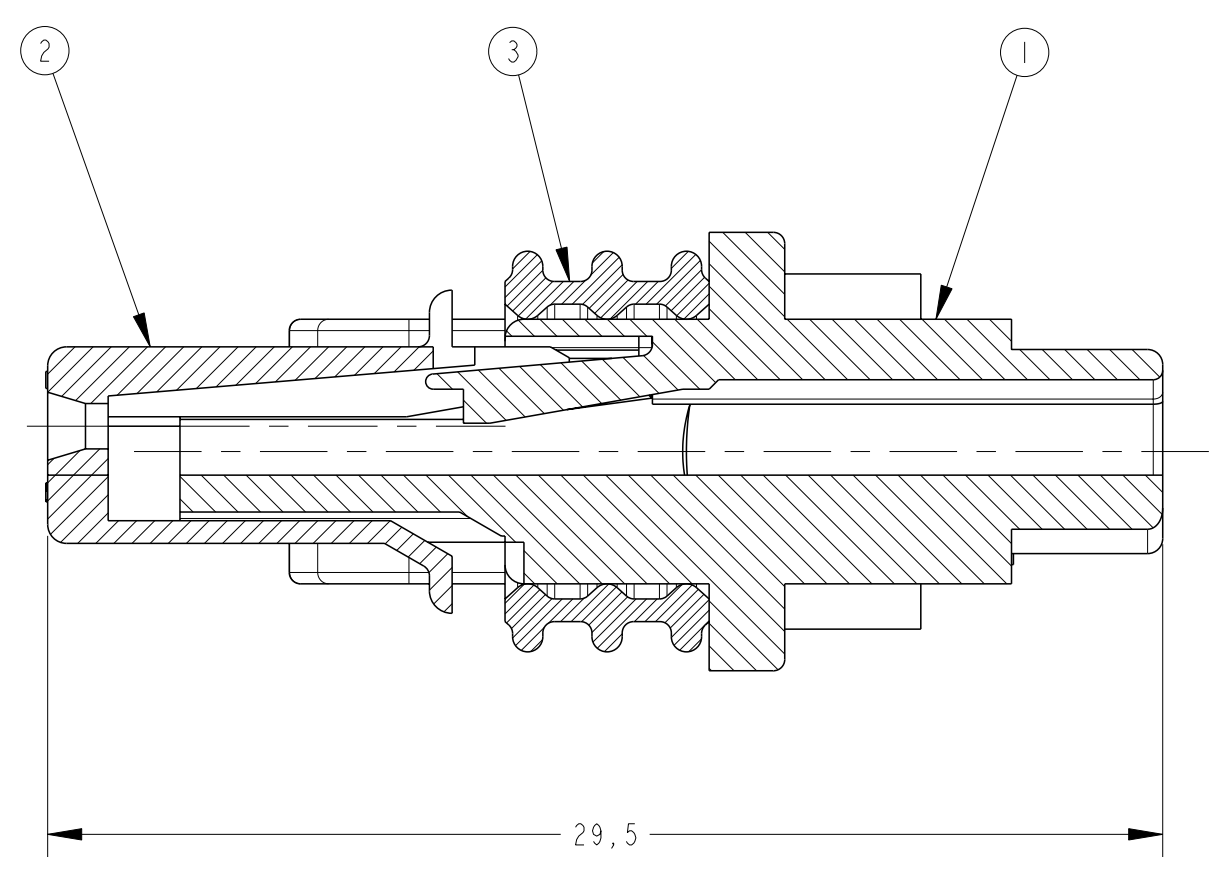
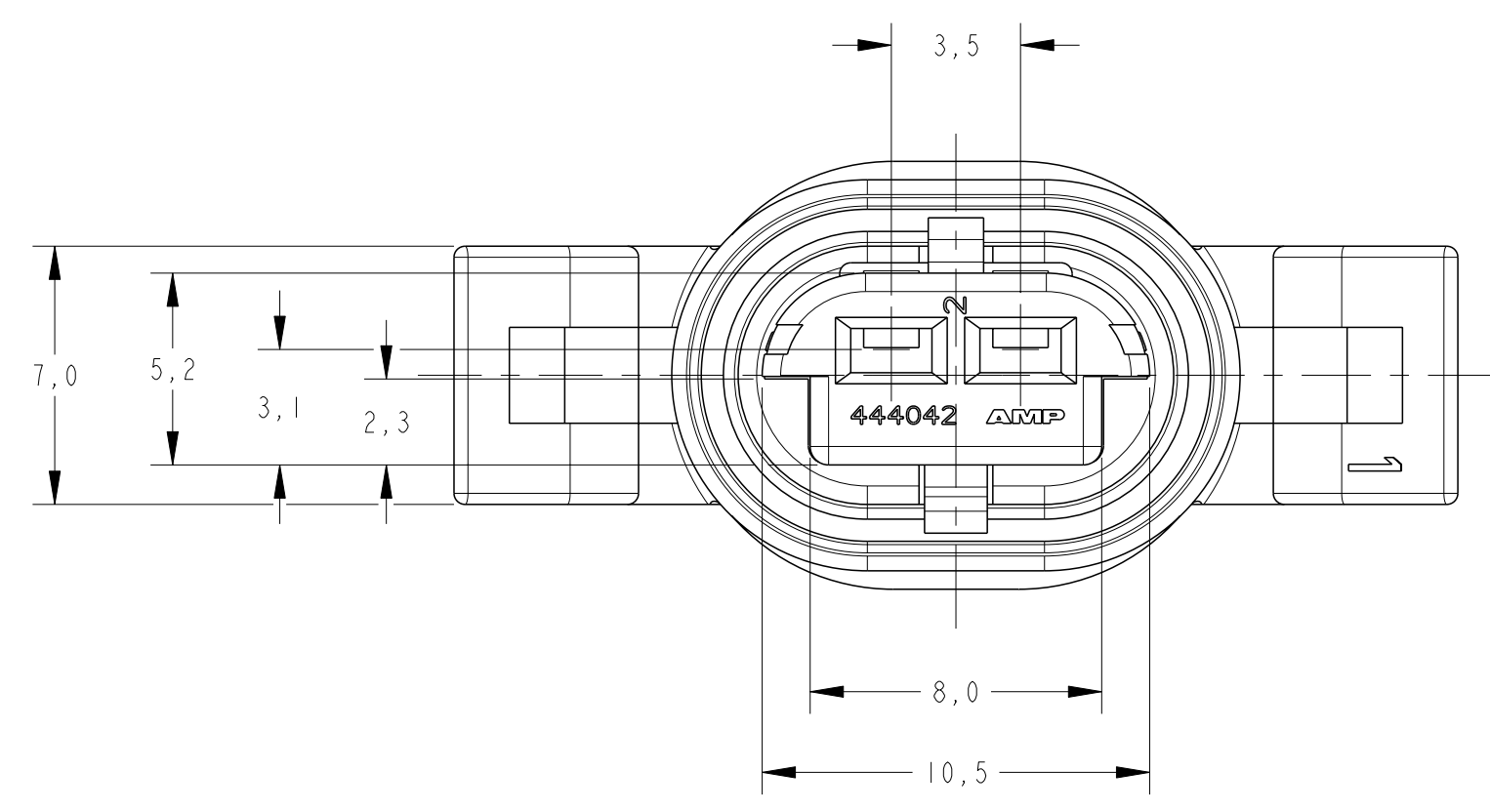
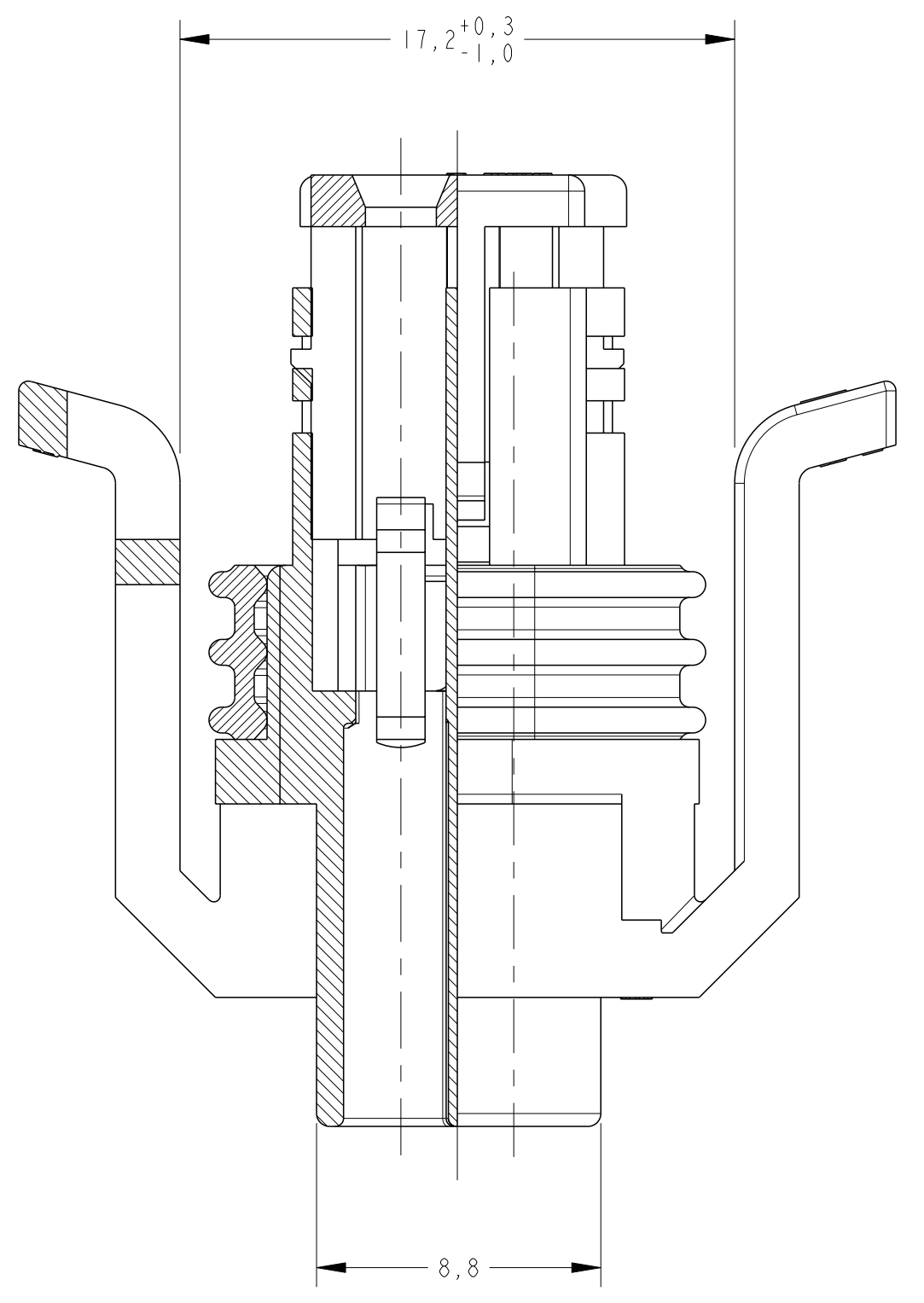


| REVISIONS | | | | |
|-----------|-----|-----------------------------|-----------|----------|
| # | LT# | DESCRIPTION | DATE | OWN APVD |
| F | | REDRAW BY CAD ECO-15-009694 | 14JUL2015 | NCL DAO |
| F1 | | REVISED BY ECN-21-108212 | 05JUL2021 | LAA GB |



PERSPECTIVE VIEW
SCALE 3:1

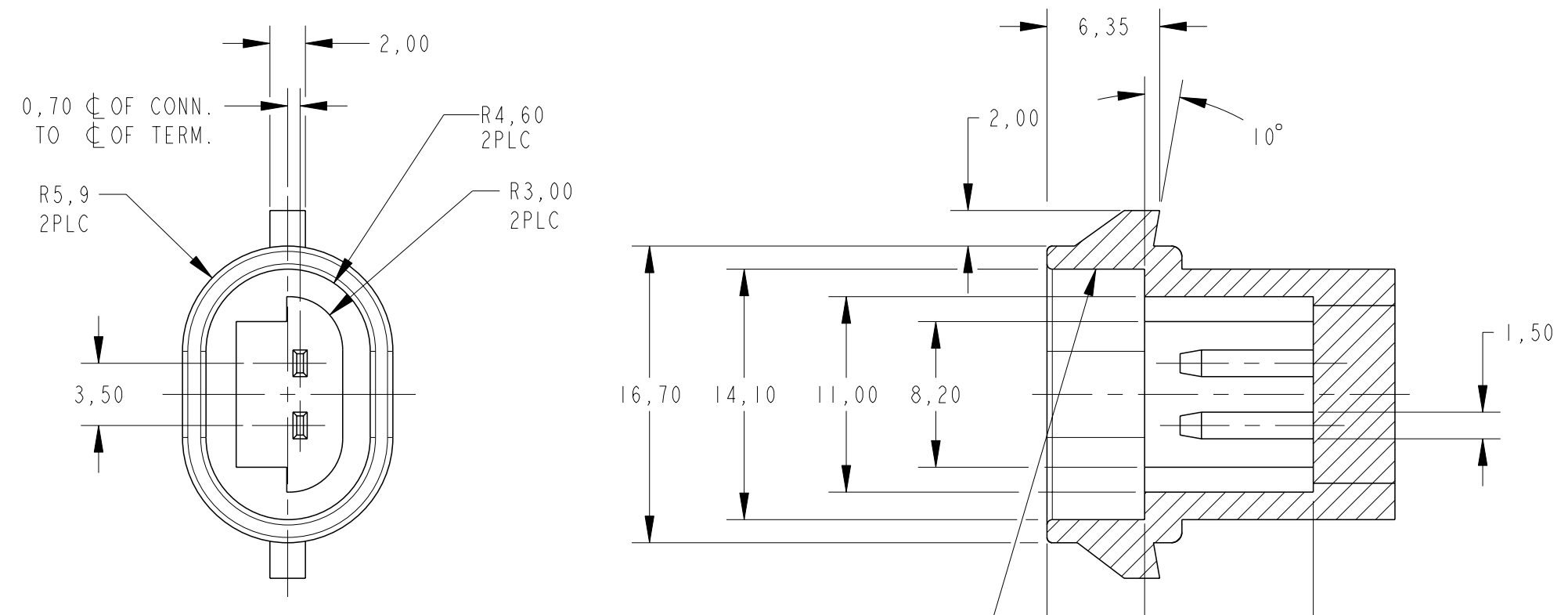
SECTION A-A



SECTION B-B

INFORMAÇÕES DA CONTRA-PEÇA

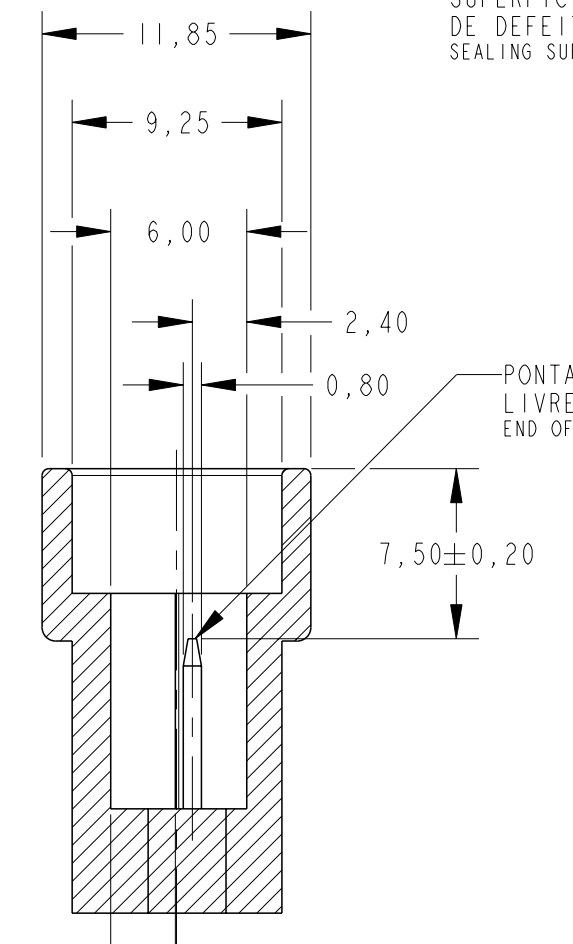
MATING CONNECTOR INFORMATION
SCALE 3:1



SUPERFÍCIE PARA O SELO DEVE SER LIVRE DE DEFEITOS.
SEALING SURFACES MUST BE FREE OF DEFECTS

PONTA DO TERMINAL DEVE SER LIVRE DE REBARBAS
END OF TERMINAL MUST BE FREE OF BURRS

SECTION A-A



SECTION B-B

TOLERÂNCIA NÃO ESPECIFICADA ±0,10
TOLERANCE NOT SPECIFIED

- 1 - AS TRAVAS DEVEM ESTAR NA POSIÇÃO COMO MOSTRADO
- THE LOCKS MUST BE IN SHOWN POSITION
- 2 - GRAVAÇÕES QUE DEVERÃO CONSTAR:
- MARCA REGISTRADA AMP, NÚMERO DA PEÇA TE IDENTIFICAÇÃO DE CIRCUITO, NÚMERO DE CAVIDADE
- STAMP THAT MUST BE EVIDENT
- TRADEMARK AMP, PART NUMBER TE, CIRCUIT IDENTIFICATION, MANUFACTURER COUNTRY CODE, CAVITY IDENTIFICATION

| REQ. PER ASSY | ITEM | DESCRIPTION | MATERIAL | FINISH |
|---------------|------|----------------------------------|----------------|-------------------------------------|
| 444040 | -2-1 | HOUSING, 2 POSN., MULTI-LOCK REC | PA 6.6 | PRETO / BLACK |
| | -1-3 | SEAL RING 2 POSN | FLUOR SILICONE | VERDE / GREEN |
| | -1-3 | SEAL RING 2 POSN | FLUOR SILICONE | MARRON AVERMELHADO REDDISH BROWN |
| | -1-2 | SPACER, 2 POSN., MULTI-LOCK REC | SILICONE | AMARELO / YELLOW |
| | -1-1 | HOUSING, 2 POSN., MULTI-LOCK REC | PA 6.6 | VERDE / GREEN |

| | | | |
|--|-----------|--|------------------|
| THIS DRAWING IS A CONTROLLED DOCUMENT. | | OWN: NCLAPRESA 14JUL2015 | TE Connectivity |
| DIMENSIONS: mm | | CHK: FFORTUNATO 14JUL2015 | |
| TOLERANCES UNLESS OTHERWISE SPECIFIED: | | APVD: DAOLIVEIRA 14JUL2015 | |
| 0 PLC ± 1 PLC ±0,3 2 PLC ± 3 PLC ± 4 PLC ± ANGLES ±1° FINISH | | NAME: HOUSING ASSY., 2 POSN., MULTI-LOCK RECEP PRODUCT SPEC: 108-37021 APPLICATION SPEC: | |
| MATERIAL: SEE TABLE | WEIGHT: - | SIZE: A1 | RESTRICTED TO: - |
| Customer Drawing | | SCALE: 4:1 | SHEET: 1 OF 1 |