

THIS DRAWING IS UNPUBLISHED. RELEASED FOR PUBLICATION  
 © COPYRIGHT BY TYCO ELECTRONICS CORPORATION. ALL RIGHTS RESERVED.

LOC	DIST	REVISIONS			
P	LTR	DESCRIPTION	DATE	DWN	APVD
AD	47	0	RELEASED PER EC 0S12-0101-05	05APR05	JDP RAP

NO BREAKOUT PERMITTED

0.50 R MAX PERMITTED ON ALL EXTERNAL CORNERS EXCEPT WHERE SHOWN

△ MATERIAL: ZINC ALLOY DIE CASTING, ZAMAK 3.  
 △ SURFACE FINISH: CHROMATE CONVERSION COATING. (ROHS COMPATIBLE).

Ø7.40±0.08  
 ⊕ Ø0.10 (M) D (M)

Ø5.40±0.08  
 ⊕ Ø0.10 (M) C A B (S)  
 -D-

Ø3.175±0.08 DRILLED HOLE 2 PLC  
 ⊕ Ø0.15 (M) X Y  
 ⊕ Ø0.08 (M)

3.18±0.05  
 ⊕ Ø0.10 (S) A B (S) C

Ø3.375±0.08  
 ⊕ Ø0.10 (S) A B (S) C

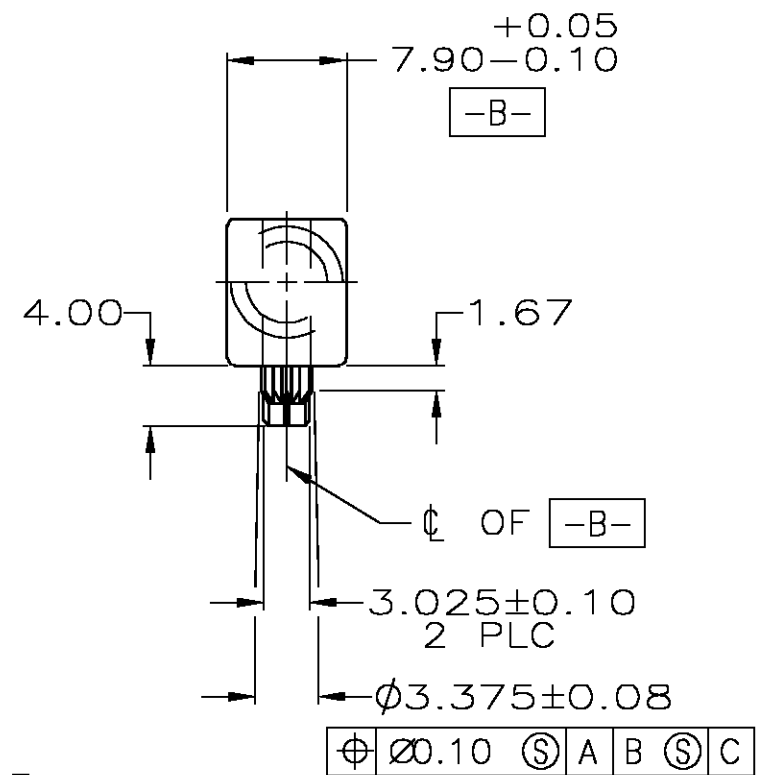
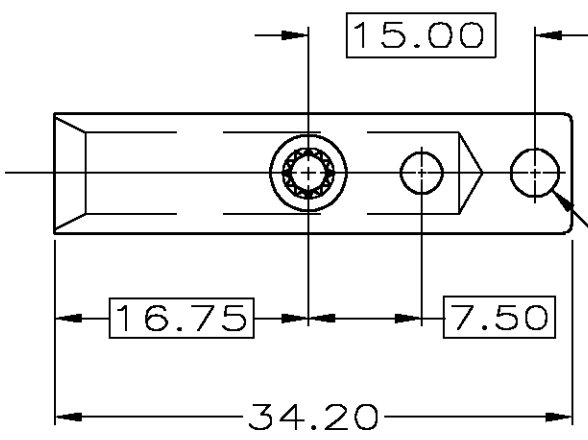
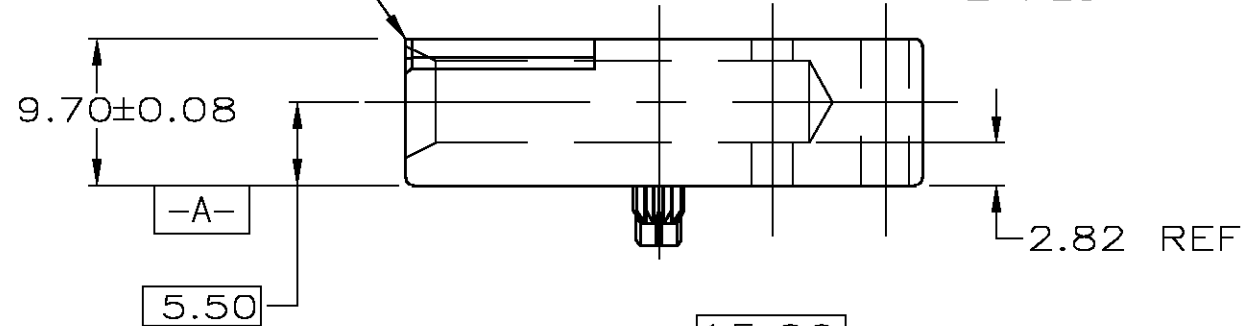
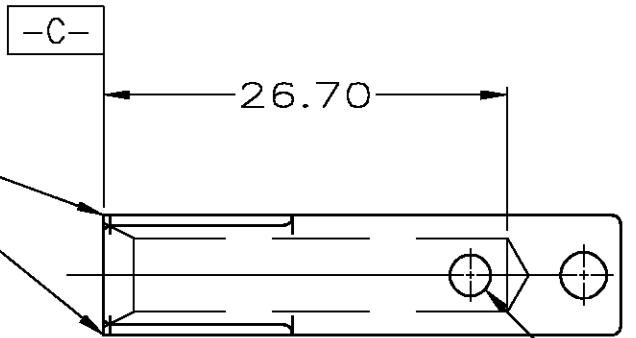
3.95 REF

15.00

5.75

11.00

FOOTPRINT



-X-

-Y-

XXX

5646918-2

PART NUMBER

THIS DRAWING IS A CONTROLLED DOCUMENT.		DWN J. POLIGNONE 05APR05	Tyco Electronics Corporation Harrisburg, Pa 17105-3608	
DIMENSIONS: mm		CHK R. PATTERSON 05APR05		
TOLERANCES UNLESS OTHERWISE SPECIFIED:		APVD R. PATTERSON 05APR05	NAME	
0 PLC ± -		PRODUCT SPEC	MODULE, FEMALE GUIDE, UNIVERSAL POWER MODULE	
1 PLC ± -		APPLICATION SPEC	SIZE A3	CAGE CODE 00779
2 PLC ± 0.13		WEIGHT -	DRAWING NO C-5646918	
3 PLC ± -		MATERIAL △ FINISH △	RESTRICTED TO -	
4 PLC ± -			SCALE 2:1 SHEET 1 OF 1 REV 0	
ANGLES ± -		CUSTOMER DRAWING		