



CMCP787A

Precision Side Entry Accelerometer, 2 Pin MS 5015

Features:

- Precision Side Entry Accelerometer
- 100mV/g $\pm 5\%$
- 150° Max Temperature Range
- $\pm 80g$ Dynamic Range
- 2 Pin MS 5015 Connector
- Class 1 Division 2 Approved
- Class 1 Division 1 Approved with IS Barrier or Isolator
- 1/4"-28 UNF or M8x1.25 Captive Mounting Bolt
- Sealed to IP68



Typical Applications

Fans, Motors, Pumps, Compressors, Centrifuges, Conveyors, Air Handlers, Gearboxes, Rolls, Dryers, Presses, Cooling, HVAC, Spindles, Machine Tooling, Process Equipment and many more.

Technical Performance

Mounted Base Resonance: 27 kHz (nominal)
 Sensitivity: 100mV/g $\pm 5\%$ Nominal 80Hz at 22°C
 Frequency Response: 1.5 Hz to 10 kHz $\pm 5\%$ (90cpm to 600kcpm)
 0.5 Hz to 12 kHz $\pm 10\%$ (30cpm to 720kcpm)
 0.2 Hz to 15 kHz $\pm 3dB$ (12cpm to 900kcpm)

Isolation: Base Isolated
 Measurement Range: $\pm 80 g$
 Transverse Sensitivity: Less than 5%

Electrical

Electrical Noise: 0.1mg max
 Current Range: 0.5mA to 8mA
 Bias Voltage: 10-12 Vdc
 Settling Time: 1 Second
 Output Impedance: 200 Ohms max.
 Case Isolation: $>10^8$ Ohms at 500 Volts

Environmental

Operating Temperature Range: -67 to 302°F (-55 to 150°C)
 Sealing: IP68 / Hermetically Sealed
 Maximum Shock: 5000 g
 Approvals: CE Approved
 CSA/UL Class 1 Division 2, Groups B, C and D

Mechanical

Case Material: Stainless Steel
 Sensing Element: PZT/Shear
 Mounting Torque: 5.9ft. lbs (8Nm)
 Weight: 6.5 Oz (185 grams)
 Mating Connector: 2 Pin MS 5015
 Mounting Thread:
 CMCP787A: 1/4-28 UNF Captive Bolt
 CMCP787A-M8: M8x1.25 Captive Bolt

Condition Monitoring Custom Products

Hazardous Location Ratings

Class I, II, III, Division 1 and 2, Groups A-G, T4, -55°C to + 110°C IP65

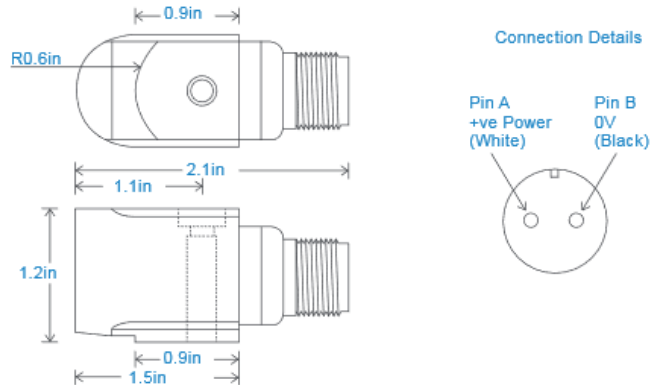
Class 1, Zone 0, AEx, ia, IIC, T4, Ga, -55°C to + 110°C

Zone 20, AEx, ia, IIIC, T130°C, IP65, Da, -55°C to + 110°C

Class I, II, III, Division 1, 2, Groups A-G, T6, -55°C to + 110°C

Zone 20, AEx, ia, IIIX, T80°C, IP65, DA, -55°C to + 110°C

Dimensions



Ordering Information:

CMCP787A Precision Side Entry Accelerometer, 100mV/g, 2 Pin MS 5015, ¼-28 UNF Mount
CMCP787A-M8 Precision Side Entry Accelerometer, 100mV/g, 2 Pin MS 5015, M8x1.25 Mount

Alternative Sensitivity Ordering Information:

CMCP787A-XXX Specify Sensitivity in Place of -XXX
50mV/g (-050), 250mV/g (-250) and 500mV/g (-500)

Recommended Cable Assemblies:

General Purpose TPE Jacketed Cable (Rated to 120°C)

CMCP602L Series 2 Socket MS Connector, Locking Collar, IP67
CMCP602LST Series 2 Socket MS Connector, Push On Seal Tight, IP68

High Temperature FEP Jacketed Cable (Rated to 200°C)

CMCP602H Series 2 Socket MS Connector, Locking Collar, IP67
CMCP602HST Series 2 Socket MS Connector, Push On Seal Tight, IP68

Similar Products



M12 Connector
CMCP787A-M12



Submersible
CMCP787A-IP



Integral Armored Cable
CMCP787A-I