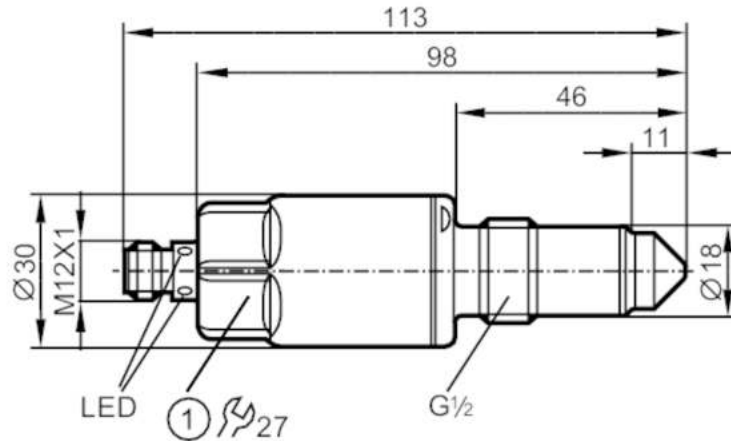


LMT110



Sensor for point level detection

LMACE-A12E/QSKG/1/US



1 Tightening torque 20...25 Nm



Product characteristics	
Number of inputs and outputs	Number of digital outputs: 2
Factory setting	oils; oil-based media
Process connection	threaded connection G 1/2 sealing cone
Application	
Special feature	Gold-plated contacts
Media	Liquids; viscous media; powder
Cannot be used for	See the operating instructions, chapter "Function and features".
Probe length [mm]	11
Tank pressure [bar]	-1...40
MAWP (for applications according to CRN) [bar]	40
Oil	
Medium temperature [°C]	-40...100
Medium temperature short time [°C]	-40...150; (1 h)
Water	
Medium temperature [°C]	-40...100
Medium temperature short time [°C]	-40...150; (1 h)
Electrical data	
Operating voltage [V]	18...30 DC
Current consumption [mA]	< 50
Protection class	III
Reverse polarity protection	yes
Measuring principle	capacitive
Inputs / outputs	
Number of inputs and outputs	Number of digital outputs: 2
Outputs	
Total number of outputs	2

LMT110



Sensor for point level detection

LMACE-A12E/QSKG/1/US

Output signal	switching signal; IO-Link
Electrical design	PNP/NPN
Number of digital outputs	2
Output function	normally open / normally closed; (parameterisable)
Max. voltage drop switching output DC [V]	2.5
Permanent current rating of switching output DC [mA]	100
Short-circuit protection	yes
Type of short-circuit protection	pulsed
Overload protection	yes

Measuring/setting range

Factory setting	oils; oil-based media
-----------------	-----------------------

Response times

Response time [s]	< 0.5
-------------------	-------

Interfaces

Communication interface	IO-Link	
Transmission type	COM2 (38,4 kBaud)	
IO-Link revision	1.1	
SDCI standard	IEC 61131-9	
Profiles	Smart Sensor: Process Data Variable; Device Identification	
SIO mode	yes	
Required master port type	A	
Process data analogue	1	
Process data binary	2	
Min. process cycle time [ms]	2.3	
Supported DeviceIDs	Type of operation Default	DeviceID 305

Operating conditions

Ambient temperature [°C]	-40...85
Note on ambient temperature	Medium temperature: < 100 °C -40...60 °C Medium temperature: < 150 °C
Storage temperature [°C]	-40...85
Protection	IP 68; IP 69K

Tests / approvals

EMC	DIN EN 61000-6-2	
	DIN EN 61000-6-4	: open tanks
	DIN EN 61000-6-3	: closed tanks
Shock resistance	DIN EN 60068-2-27	50 g (11 ms)
Vibration resistance	DIN EN 60068-2-6	20 g (10...2000 Hz)
MTTF [years]		223
UL approval	UL Approval no.	H001

LMT110



Sensor for point level detection

LMACE-A12E/QSKG/1/US

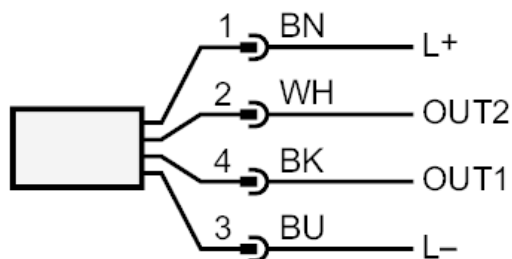
Mechanical data		
Weight	[g]	210
Materials	stainless steel (1.4404 / 316L); PEEK; PEI; FKM	
Materials (wetted parts)	PEEK; surface characteristics: Ra < 0,8 / Rz 4	
Process connection	threaded connection G 1/2 sealing cone	
Displays / operating elements		
Display	switching status	LED, yellow
	operating status	LED, green
Remarks		
Pack quantity	1 pcs.	

Electrical connection

Connector: 1 x M12; coding: A; Contacts: gold-plated



Connection



OUT1: switching output IO-Link Teach
OUT2: switching output
colours to DIN EN 60947-5-2
Core colours :
BK = black
BN = brown
BU = blue
WH = white