

PVA3 SERIES ANTI-VANDAL SWITCH

ANTI-VANDAL SWITCHES
DETECTOR SWITCHES
DIP SWITCHES
KEYLOCK SWITCHES
NAVIGATION SWITCHES
PUSHBUTTON SWITCHES
ROCKER SWITCHES
ROTARY SWITCHES
SLIDE SWITCHES
SNAP ACTION SWITCHES
TACTILE SWITCHES
TOGGLE SWITCHES
CAP OPTIONS



APPLICATIONS / MARKETS



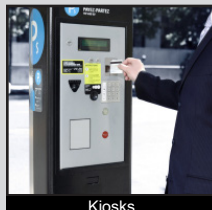
Commercial Appliances



Security Devices



Industrial Controls



Kiosks



Electrical Housewares



Medical Equipment

RoHS

SPECIFICATIONS

Electrical Rating: 2A, 36VDC
Mechanical Life: 500,000 Cycles
Electrical Life: 50,000 Cycles
Contact Resistance: 50mΩ Max.
Insulation Resistance: 1000 MΩ Min. @ 500VDC
Dielectric Strength: 1,500VAC
Operating/Storage Temperature: -25°C to 55°C
Travel: 3.0mm
Moisture Protection: IP65
Contact Arrangement: SPDT
Actuation Force: 1.7N
Panel Thickness: 1-8mm
Mounting Nut Torque: 5-14Nm

FEATURES & BENEFITS

- 16mm panel cutout
- Ring illumination option
- Multiple LED color options
- IP65 rated
- Momentary or Latching functions

PART NUMBER CONFIGURATOR

Series	Actuator Options	Terminal Options	Function Options	Rating Options	Body Finish Options	Actuator Finish Options	Contact Material Options	Lens Style Option	LED-Color Options	Illumination Voltage Options
PVA3	F - Flat H - High	2 - Solder	B - 1P On - (On)* 3 - 1P On - On	0 - 2A, 36VDC	S - Stainless Steel 1 - Black Anodized	S - Stainless Steel 1 - Black Anodized	NONE - Silver	3 - Ring Illumination 6 - Ring / Power symbol (Stainless Steel only)	0 - White 1 - Red 2 - Orange 3 - Green 4 - Blue 5 - Yellow R - Red/ Green/Blue	1 - Base Voltage† 3 - 6V 4 - 12V 5 - 24V 6 - 125V 7 - 250V

NOTES:

* (ON) Denotes function is momentary

† Base voltage on LEDs:

1.8V @ 20mA for Red, Yellow and Orange LED colors

2.8V @ 20mA for Blue, Green and White LED colors

Specifications subject to change without notice 12.18.2020



E-SWITCH®

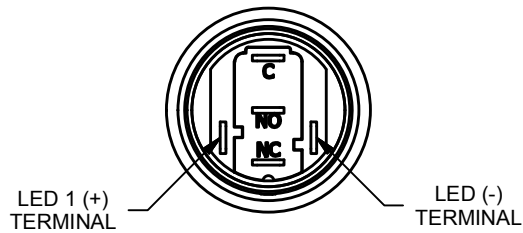
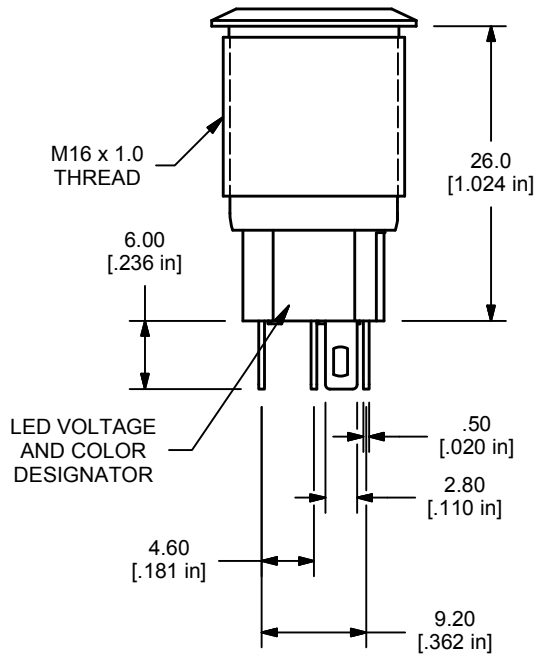
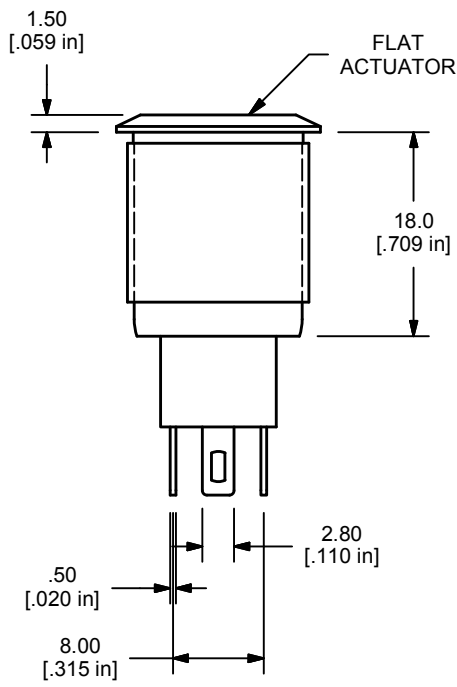
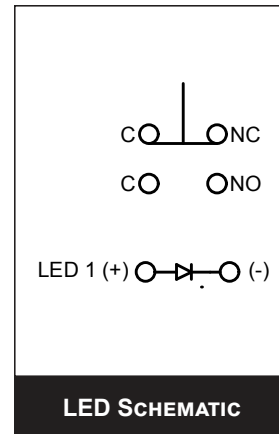
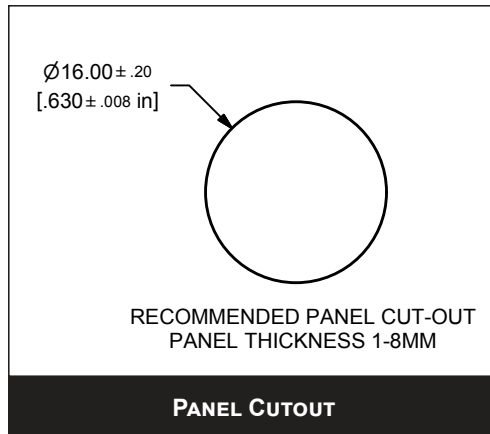
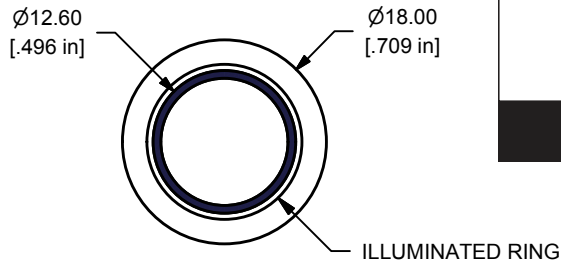
www.e-switch.com

800.867.2717

1

PVA3 SERIES ANTI-VANDAL SWITCH

SINGLE LED ILLUMINATION



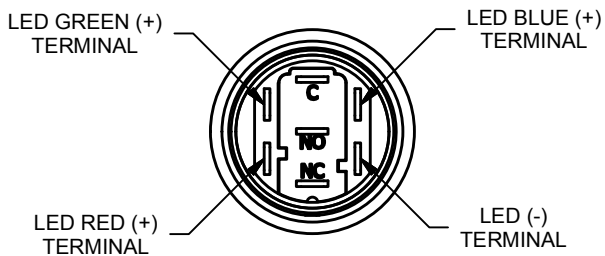
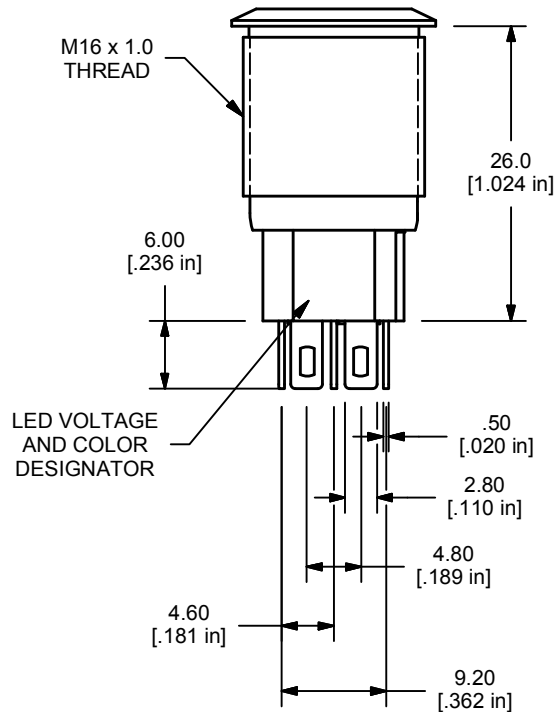
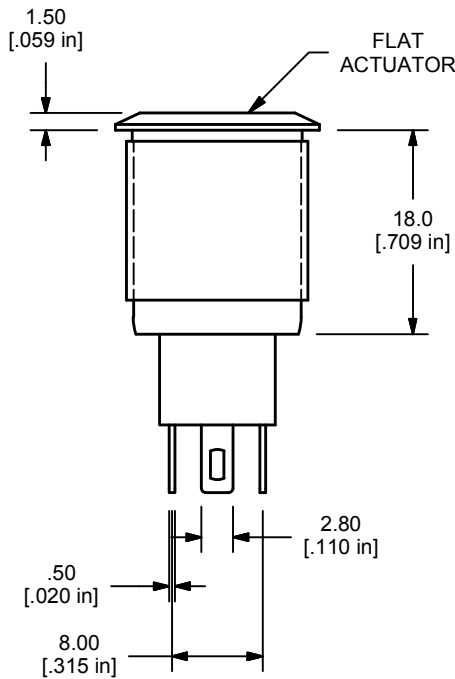
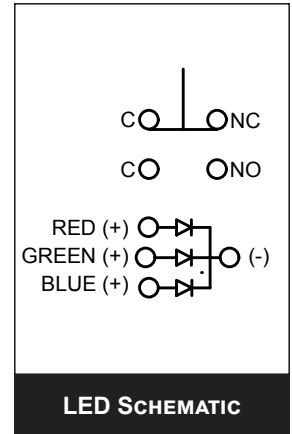
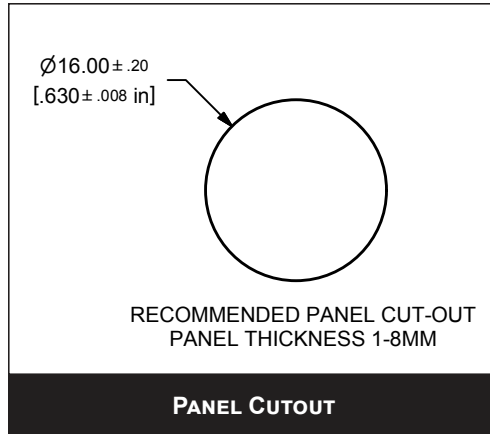
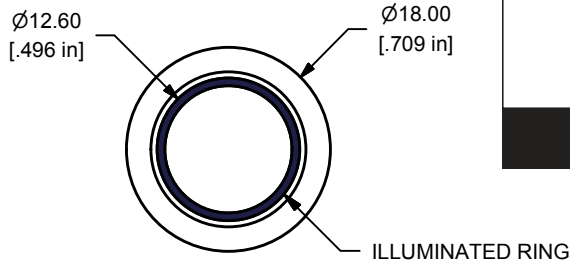
- ANTI-VANDAL SWITCHES
- DETECTOR SWITCHES
- DIP SWITCHES
- KEYLOCK SWITCHES
- NAVIGATION SWITCHES
- PUSHBUTTON SWITCHES
- ROCKER SWITCHES
- ROTARY SWITCHES
- SLIDE SWITCHES
- SNAP ACTION SWITCHES
- TACTILE SWITCHES
- TOGGLE SWITCHES
- CAP OPTIONS



PVA3 SERIES ANTI-VANDAL SWITCH

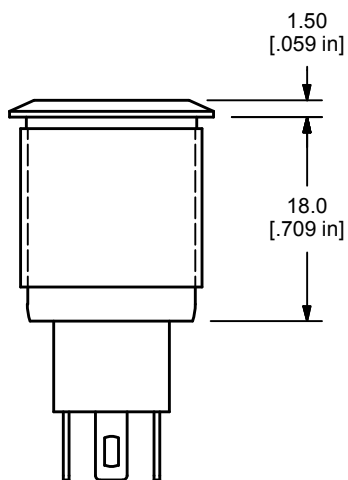
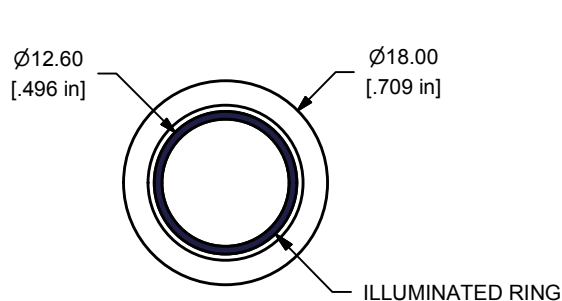
RGB ILLUMINATION

- ANTI-VANDAL SWITCHES
- DETECTOR SWITCHES
- DIP SWITCHES
- KEYLOCK SWITCHES
- NAVIGATION SWITCHES
- PUSHBUTTON SWITCHES
- ROCKER SWITCHES
- ROTARY SWITCHES
- SLIDE SWITCHES
- SNAP ACTION SWITCHES
- TACTILE SWITCHES
- TOGGLE SWITCHES
- CAP OPTIONS

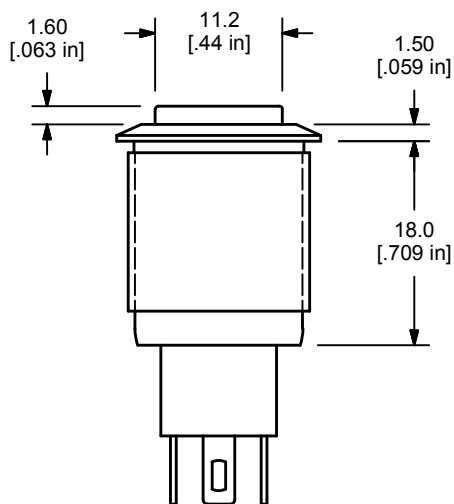
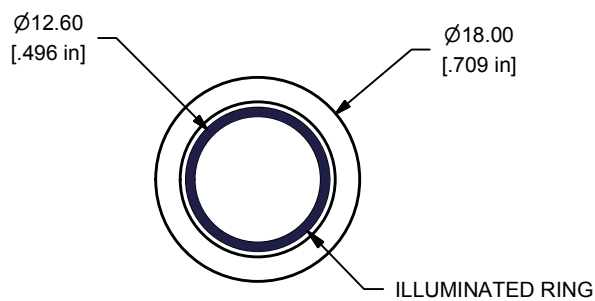


PVA3 SERIES ANTI-VANDAL SWITCH

ACTUATOR OPTIONS



FLAT ACTUATOR



HIGH ACTUATOR

FUNCTION OPTIONS

SWITCH FUNCTION	
POS. 1	POS. 2
ON	(ON)
C - NC	C - NO

(ON) = DENOTES MOMENTARY

B - 1P ON - (ON)

SWITCH FUNCTION	
POS. 1	POS. 2
ON	ON
C - NC	C - NO

C - 1P ON - ON

