

4

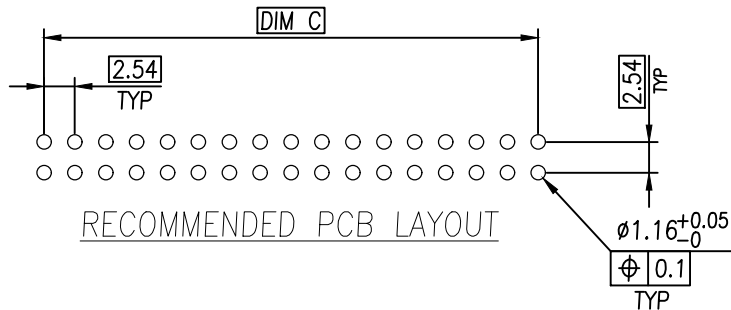
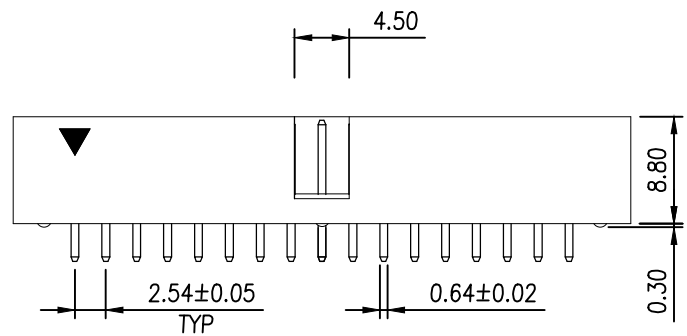
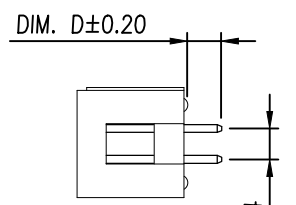
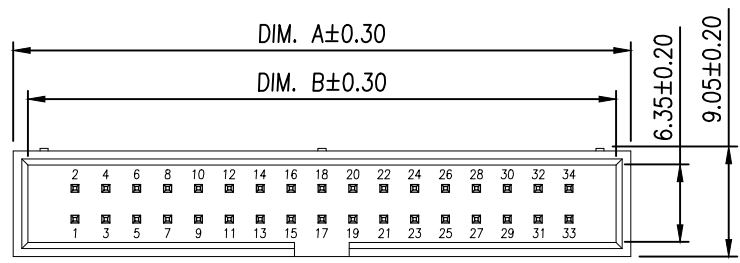
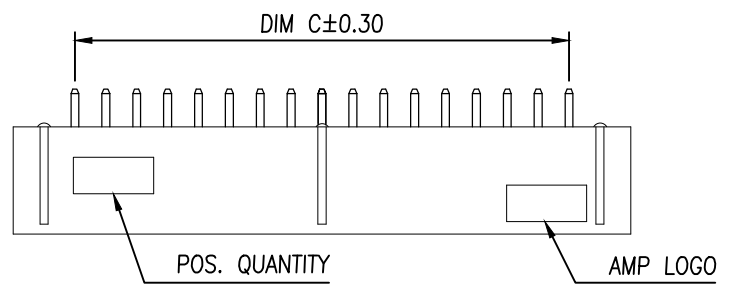
3

2

1

THIS DRAWING IS UNPUBLISHED. RELEASED FOR PUBLICATION  
 © COPYRIGHT - BY TYCO ELECTRONICS CORPORATION. ALL RIGHTS RESERVED.

LOC	DIST	REVISIONS				
P	LTR	DESCRIPTION	DATE	DWN	APVD	
	A2	RESIN UPDATED ECO-18-006113	20-JUN-18	K.G	WK.H	



- NOTES:
- MATERIAL:  
HOUSING: THERMOPLASTIC(NY 66), COLOR: SEE TABLE.  
CONTACT: BRASS
  - FINISH:  
CONTACT: GOLD FLASH ALL OVER  
NICKEL 1.27um[50u"] MIN. UNDERPLATED OVERALL.
  - SPECIFICATIONS:  
CURRENT RATING: 1AMP DC MAX.  
CONTACT RESISTANCE: 20 MILLIOHMS MAX AT DC 1A.  
INSULATOR RESISTANCE: 1000 MEGAOHMS MIN, AT 500V DC.  
DIELECTRIC WITHSTANDING: AC 500V FOR 1 MINUTE.
  - MECHANICAL:  
OPERATING TEMPERATURE: -55°C TO +105°C.
  - APPLICATION:  
BOX HEADER BODY HELPS MAXIMUM PACKAGING DENSITY.  
AVAILABLE WITH WRAP POST TAIL HEADER.  
AVAILABLE IN STRAIGHT OR RIGHT ANGLE PIN.
  - WAVE SOLDER CAPABLE TO 265°C  
PER TYCO SPEC. 109-202, CONDITION B.
- ⚠ OBSOLETE PARTS: OBSOLETE CIS STREAMLINING PER D.RENAUD/D.SINISI

3.10	48.26	56.20	58.40	#20	BLUE	40	2-1734162-2
	48.26	56.20	58.40	#20	BLACK	40	2-1734162-1
	15.24	23.18	25.40		BLACK	14	1-1734162-5
	48.26	56.20	58.40		BLUE	40	1-1734162-4
	48.26	56.20	58.40		BLACK	40	1-1734162-3
	40.64	48.58	50.80		BLACK	34	1-1734162-2
2.40	10.16	18.10	20.32		BLACK	10	1-1734162-1
	48.26	56.20	58.40	#20	BLACK	40	1734162-5
	48.26	56.20	58.40	#20	BLUE	40	1734162-4
	40.64	48.58	50.80	#5	BLUE	34	1734162-3
2.80	48.26	56.20	58.40	#20	BLACK	40	1734162-2
	40.64	48.58	50.80	#5	BLACK	34	1734162-1
	40.64	48.58	50.80	#5	BLACK	34	1734162-1

THIS DRAWING IS A CONTROLLED DOCUMENT.

DIMENSIONS: MM	TOLERANCES UNLESS OTHERWISE SPECIFIED:	DWN J. LEE 10APR2007	<b>tyco</b> Tyco Holdings (Bermuda)	
	0 PLC ± -	CHK S. HOU 10APR2007	VII Ltd. Taiwan Branch	
	1 PLC ± 0.5	APVD W.J. KE 10APR2007	NAME	
	2 PLC ± 0.3	PRODUCT SPEC	BOX HEADER 2.54 PITCH	
	3 PLC ± 0.1	APPLICATION SPEC	V/T, DIP	
	4 PLC ± -	108-57566	SIZE A3	CAGE CODE 00779
	ANGLES ± 1°	501-57655	DRAWING NO C=1734162	RESTRICTED TO -
MATERIAL -	FINISH -	WEIGHT -	CUSTOMER DRAWING	
			SCALE -	SHEET 1 OF 2
				REV A2

4

3

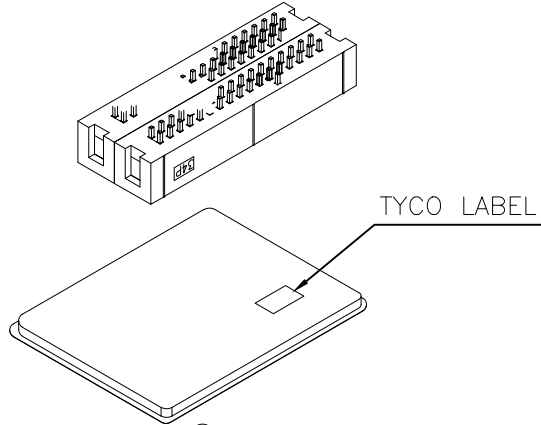
2

1

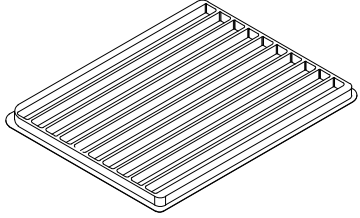
THIS DRAWING IS UNPUBLISHED. RELEASED FOR PUBLICATION  
 © COPYRIGHT BY TYCO ELECTRONICS CORPORATION. ALL RIGHTS RESERVED.

LOC	DIST	REVISIONS				
P	LTR	DESCRIPTION	DATE	DWN	APVD	
DW	-	SEE SHEET 1.				

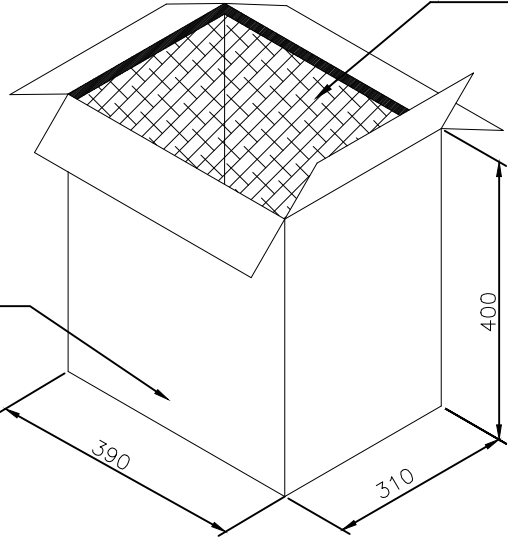
1



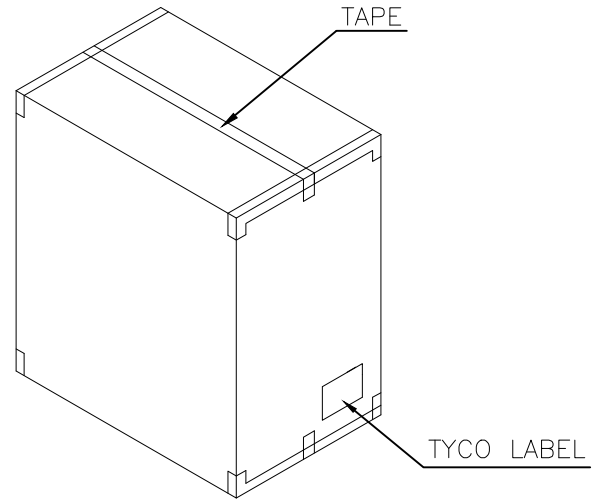
2



3



4



△7 OBSOLETE	14.85	11.55	2500	100	2-1734162-2
△7 OBSOLETE	14.85	11.55	2500	100	2-1734162-1
△7 OBSOLETE	14.00	13.00	6000	240	1-1734162-5
△7 OBSOLETE	14.85	11.55	2500	100	1-1734162-4
△7 OBSOLETE	14.85	11.55	2500	100	1-1734162-3
△7 OBSOLETE	14.85	11.55	3000	120	1-1734162-2
△7 OBSOLETE	14.00	13.00	7500	300	1-1734162-1
△7 OBSOLETE	14.85	11.55	2500	100	1734162-5
△7 OBSOLETE	14.85	11.55	2500	100	1734162-4
△7 OBSOLETE	14.85	11.55	3000	120	1734162-3
△7 OBSOLETE	14.85	11.55	2500	100	1734162-2
△7 OBSOLETE	14.85	11.55	3000	120	1734162-1
	G/W (kg)	N/W (kg)	QUANTITY	TRAY	PART NUMBER

THIS DRAWING IS A CONTROLLED DOCUMENT.

DWN	J. LEE	10APR2007	 Tyco Holdings (Bermuda) VII Ltd. Taiwan Branch
CHK	S. HOU	10APR2007	
APVD	W.J. KE	10APR2007	
NAME			
DIMENSIONS:	TOLERANCES UNLESS OTHERWISE SPECIFIED:		BOX HEADER 2.54 PITCH V/T, DIP
MM	0 PLC ± - 1 PLC ± - 2 PLC ± - 3 PLC ± - 4 PLC ± - ANGLES ± -		
MATERIAL	FINISH		SIZE A3 CAGE CODE 00779 DRAWING NO C=1734162 RESTRICTED TO -
CUSTOMER DRAWING			SCALE - SHEET 2 OF 2 REV A2