

THIS DRAWING IS UNPUBLISHED.

RELEASED FOR PUBLICATION

20

© COPYRIGHT 20 BY -

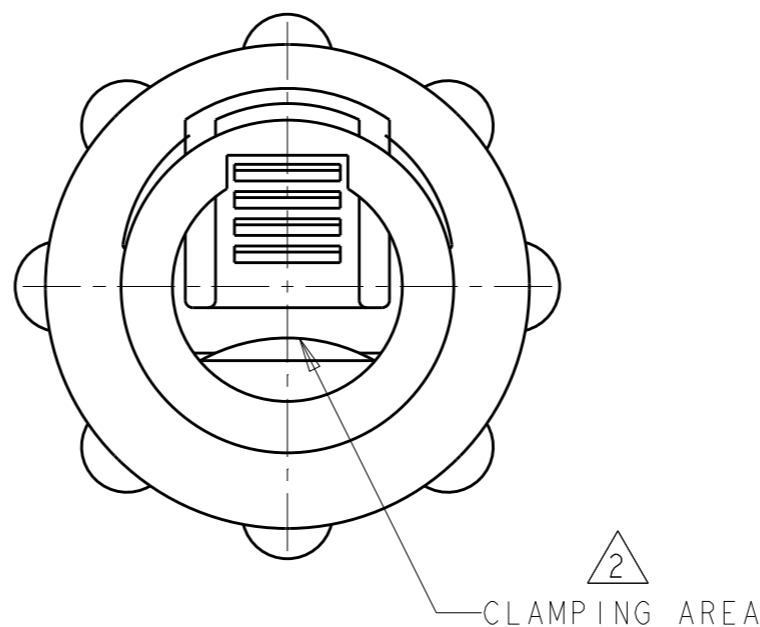
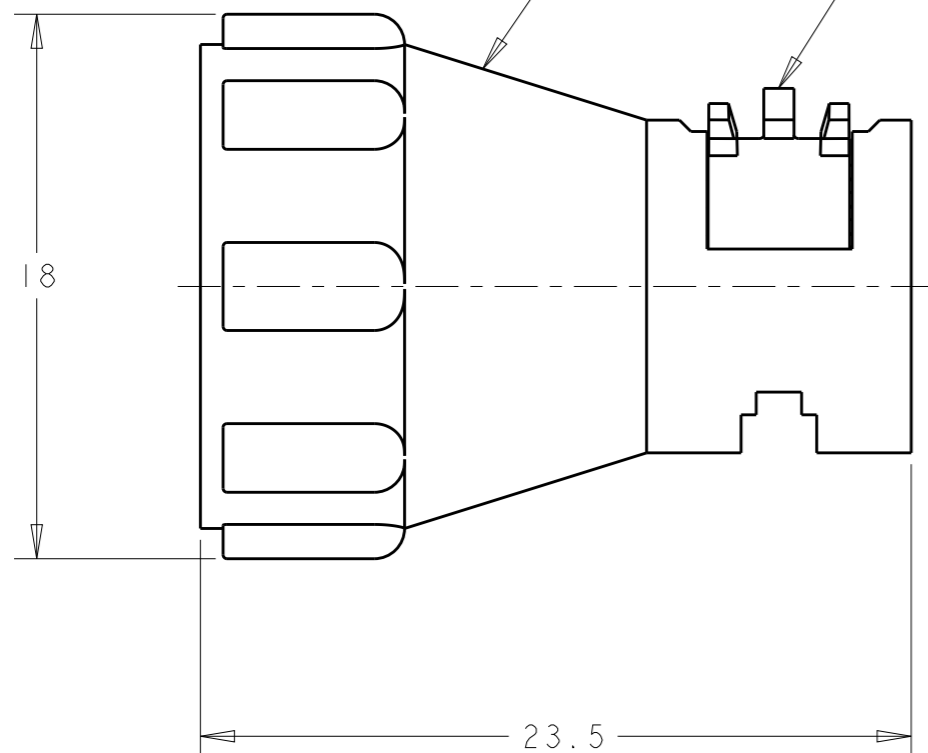
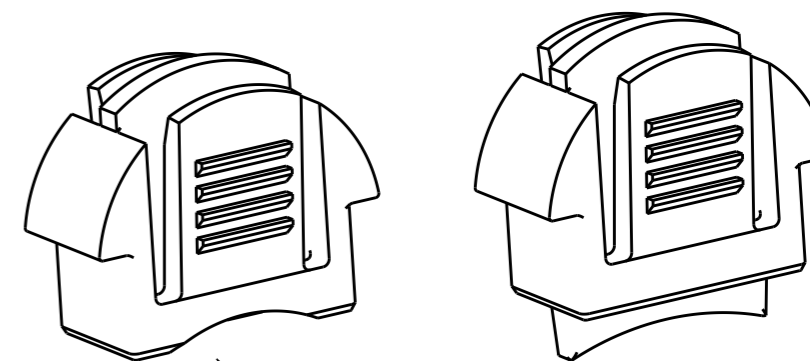
ALL RIGHTS RESERVED.

REVISIONS

P	LTR	DESCRIPTION	DATE	DWN	APVD
	A	RELEASED EC 0G3B-0568-03	11JUL2003	SW	HW
	B	REVISED PER ECO-17-004650	05APR2017	BDA	MZ

HOUSING, QTY-1
MATERIAL: THERMOPLASTIC, COLOR-BLACK

CLAMP, QTY-2
MATERIAL: THERMOPLASTIC, COLOR-BLACK



1. PARTS PACKAGED UNASSEMBLED.

2. CABLE CLAMPING AREA ADJUSTABLE FROM 0.76mm² TO 15.8mm².

3. 4.4 MAXIMUM CABLE OUTSIDE DIAMETER.

OBSOLETE	BULK	1445760-02
	INDIVIDUAL	1445730-01
	PACKAGING	PART NUMBER

THIS DRAWING IS A CONTROLLED DOCUMENT.		DWN SHANE WIEST 02AUG2001		
DIMENSIONS: mm		CHK G DOUTY 02AUG2001		
TOLERANCES UNLESS OTHERWISE SPECIFIED:		APVD H WAKFEM 11JUL2003	NAME ASSEMBLY, STRAIN RELIEF, VERTICAL SIZE 8, MINI CPC	
0 PLC ±-		PRODUCT SPEC	SIZE	
1 PLC ±-		APPLICATION SPEC	CAGE CODE	
2 PLC ±0.13		WEIGHT	DRAWING NO	
3 PLC ±-		CUSTOMER DRAWING	RESTRICTED TO	
4 PLC ±-			A300779C-1445730	
ANGLES ±-			SCALE 4:1	
FINISH			SHEET 1 OF 1	
MATERIAL SEE CALLOUT			REV B	