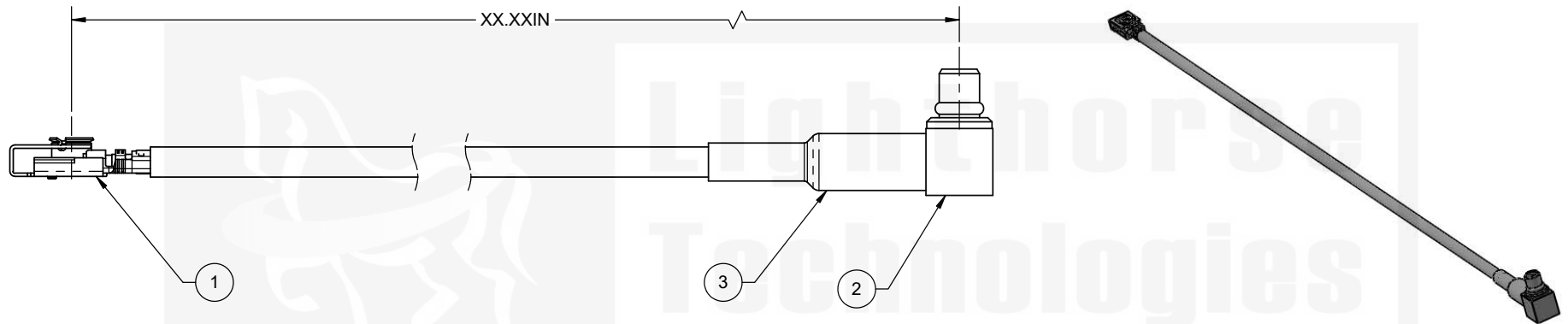


-XX IN THE ENDING OF THE CABLE PART NUMBER IS CALLING OUT THE LENGTH OF THE ASSEMBLY FROM CENTER TO MATING FLANGE OF CONNECTORS. EXAMPLES SHOWN BELOW:

LTI P/N: CBG-IPXLK-MCLMGT-4IN (4 INCHES)
 CBG-IPXLK-MCLMGT-10IN (10 INCHES)


REVISIONS				
REV	ECR	DESCRIPTION	DRAWN	DATE
1		PRODUCTION RELEASE	M. LARSEN	06/08/2022



SCALE: NONE

ITEM	PART NUMBER	DESCRIPTION	QTY
1	CBG-2IPXLK-500MM	IPXLK (MHF1 LK) LOCKING, RHT ANGLE, JACK, USING RG-178 CABLE, BROWN (I-PEX 20278-112R-18)	0.5
2	MCLM11GT-178	MMCX, RIGHT ANGLE, PLUG, CABLE CRIMP	1
3	1635F-1/8"	.125 (1/8) DIA, .75 LENGTH, GREEN	1

IPX® AND MHF® ARE REGISTERED TRADEMARKS OF I-PEX CO., LTD. CORPORATION

DO NOT SCALE DRAWING TOLERANCES UNLESS OTHERWISE SPECIFIED DIMENSIONS ARE IN MILLIMETERS X = ±0.5 X.X = ±0.25 X.XX = ±0.13 ANGLE = ±30'		 Lighthouse Technologies San Diego, CA WWW.FPCONNECTOR.COM	TITLE: CABLE ASSEMBLY, IPXLK (MHF1 LK), LOCKING, R/A JACK, CRIMP TO MMCX, R/A PLUG, CRIMP USING RG-178 CABLE
CUSTOMER APPROVAL SIGN / DATE: ENG APPR. P. BURDGE 06/08/2022 CHECKED M. HELD 06/08/2022 DRAWN M. LARSEN 06/08/2022 NAME DATE			
SCALE: 4:1		FILE NAME	SHEET 1 OF 1

PROPRIETARY AND CONFIDENTIAL

UNLESS OTHERWISE SPECIFIED, THIS DOCUMENT CONTAINS LIGHORSE TECHNOLOGIES INFORMATION. REPRODUCTION, USE, DISCLOSURE OR TRANSMITTAL OF ALL OR ANY PART OF THIS DOCUMENT IS PROHIBITED EXCEPT TO THE EXTENT APPROVED IN WRITING BY AN AUTHORIZED REPRESENTATIVE OF LIGHORSE TECHNOLOGIES. LIGHORSE TECHNOLOGIES RESERVES ALL RIGHTS UNDER PATENTS, TRADEMARKS, COPYRIGHTS AND TRADE SECRETS. COPY RIGHTS OF LIGHORSE TECHNOLOGIES 2011, ALL RIGHTS RESERVED.

