

XBH1AA0G4

Harmony XB5, Digital panel meter, plastic, black, Ø22, 4 digit green LED display, 4...20 mA input



Main

Range of Product	Harmony XB5
Product or Component Type	Display module
Display digits	4 - 0.55 in (14 mm)

Complementary

Display Type	7 segments LED
Display colour	Green
Display projection	-999...9999
Accuracy	+/- 0.15 % of the measuring range
Solid state output type	2 x power MOSFET
Discrete output voltage	30 V DC
Discrete output current	0.5 A
Brightness	Fixed
Analogue input range	4...20 mA DC
Maximum voltage drop	6 V
Temperature drift	50 ppm/°C
Mounting diameter	0.89 in (22.5 mm)
Connections - terminals	Spring terminals, 1 x 0.2...1 mm ² AWG 24...AWG 17)
Housing material	Plastic
Flame Retardance	UL94-V1
Tightening torque	1.3 N.m 11.5 lb.in
Width	2.03 in (51.5 mm)
Height	1.16 in (29.5 mm)
Depth	3.08 in (78.2 mm)
Net Weight	0.07 lb(US) (0.032 kg)

Environment

Ambient air temperature for operation	-4...140 °F (-20...60 °C)
Ambient Air Temperature for Storage	-4...185 °F (-20...85 °C)
Vibration resistance	5 gn 2...500 Hz)IEC 60068-2-6
IP degree of protection	IP65 IEC 60529 front panel)
Standards	EN 61326-1

The information provided in this documentation contains general descriptions and/or technical characteristics of the performance of the products contained herein. This documentation is not intended as a substitute for and is not to be used for determining suitability or reliability of these products for specific user applications. It is the duty of any such user or integrator to perform the appropriate and complete risk analysis, evaluation and testing of the products with respect to the relevant specific application or use thereof. Neither Schneider Electric Industries SAS nor any of its affiliates or subsidiaries shall be responsible or liable for misuse of the information contained herein.

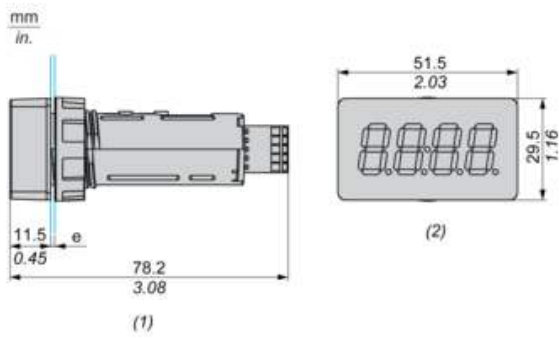
Ordering and shipping details

Category	22467 - PUSHBUTTONS,22MM(PLASTIC) NEW
Discount Schedule	CS2
GTIN	3606489737214
Nbr. of units in pkg.	1
Package weight(Lbs)	2.40 oz (68 g)
Returnability	Yes
Country of origin	FR

Packing Units

Unit Type of Package 1	PCE
Package 1 Height	1.50 in (3.8 cm)
Package 1 width	3.35 in (8.5 cm)
Package 1 Length	5.04 in (12.8 cm)
Unit Type of Package 2	S03
Number of Units in Package 2	62
Package 2 Weight	10.60 lb(US) (4.807 kg)
Package 2 Height	11.81 in (30 cm)
Package 2 width	11.81 in (30 cm)
Package 2 Length	15.75 in (40 cm)

Dimensions



e : Clamping thickness 1 to 6 mm

(1) : Side view

(2) : Front view

Mounting and Clearance

Panel Cut-out for Digital Display

