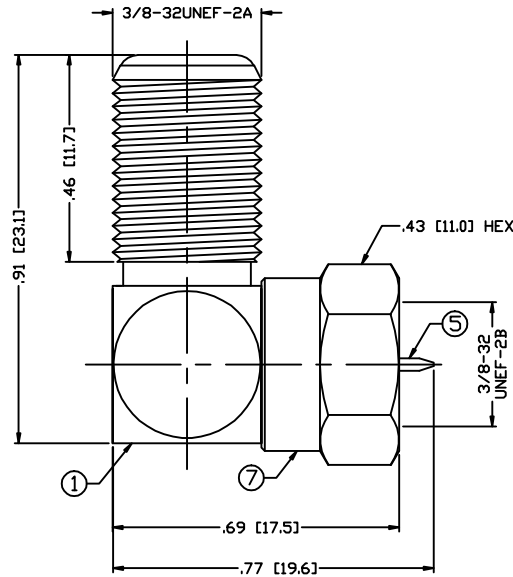


THIS DRAWING CONTAINS INFORMATION PROPRIETARY TO RF INDUSTRIES.
 ANY UNAUTHORIZED USE OF THIS DRAWING IS EXPRESSLY PROHIBITED
 WITHOUT WRITTEN PERMISSION FROM RF INDUSTRIES.
 ANY VIOLATION IS PUNISHABLE UNDER U.S. COPYRIGHT LAWS.

ALL DIMENSIONS ARE REFERENCE ONLY

PART NO. RFF-1446-10				
REV	DESCRIPTION	DWN	DATE	APPROVED
-	ENGINEERING RELEASE	CZS	06/11/07	JDMc



SPECIFICATIONS:

IMPEDANCE: 75 Ohms
 FREQUENCY RANGE: DC TO 1 GHz
 VOLTAGE RATING: 500 rms @ SEA LEVEL
 INSULATION RESISTANCE: 5k M ohms min.
 TEMPERATURE RANGE: -40°C TO +85°C

1	BODY	1	BRASS	NICKEL, 100μ"	000367	
2	PRESS BODY	1	BRASS	NICKEL, 100μ"		
3	CONTACT	1	PHOS. BRONZE	NICKEL, 100μ"		
4	INSULATOR	1	DELTRIN	---		
5	PIN	1	BRASS	NICKEL, 100μ"		
6	INSULATOR	1	PE	---		
7	SHELL	1	BRASS	NICKEL, 100μ"		
8						
9						
10					DRAWN	
11					C. ZUNIGA	
12					06/11/07	
13					CHECKED	
14						
					ORJ DRAWN	
					C. ZUNIGA	
					06/11/07	
#	DESCRIPTION	QTY	MATERIAL	FINISH	APPROVALS	DATE

RoHS COMPLIANT

DIMENSIONS ARE IN INCHES AND [MILLIMETERS]
 UNLESS OTHERWISE NOTED TOLERANCES ARE:
 DECIMALS DIAMETER

RFconnectors
 DIVISION OF RF INDUSTRIES, LTD.
 7610 MIRAMAR RD
 SAN DIEGO, CA 92126
 (858) 549-6340
 (858) 549-6345 FAX

F PLUG TO JACK

RIGHT ANGLE, ADAPTER

SIZE	CABLE GROUP	DWG NO.	REV
A	N/A	RFF-1446-10	-
SCALE:	NTS	CAD FILE	OUTLINE
SHEET			1 OF 1