

Ratings
 Voltage: 150 V
 Temperature: -40~70 °C

Conductor
 Conductor count: 2
 Gauge: 26 AWG 0.13 mm²
 Material: Tinned copper strands
 Strand size: $\varnothing 0.08 \times 26$
 Resistance at 20 °C: 150 Ω /km max

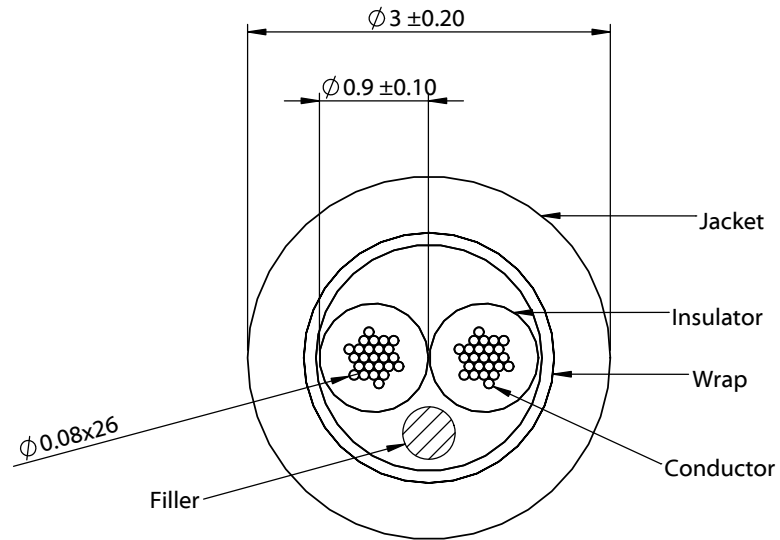
Insulator
 Material: HDPE
 Color: white, black
 Diameter: $\varnothing 0.9 \pm 0.10$ mm
 Nominal thickness: 0.2 mm
 Resistance at 20 °C: 100 M Ω /km min

Wrap:
 Material: cotton paper

Filler
 Material: aramid fiber

Outer jacket
 Material: TPU
 Color: white
 Diameter: $\varnothing 3 \pm 0.20$ mm
 Nominal thickness: 0.5 mm

Tests
 Tensility strength: 26 kgf min
 Dielectric test: 1500 V dc for 1 minute without breakdown
 Bend test at 200g, $\pm 60^\circ$, 30 cycles/min: 15,000 cycle minimum



Revision:	Date:	Description:
A	09/09/2022	Initial release

Prepared: **MP**
Digitally signed by MP
 Date: 2022.09.23 11:11:24 -07'00'

Verified: **PB**
Digitally signed by PB
 Date: 2022.09.23 14:15:10 -07'00'

Dimensions are in millimeters.
 Tolerances:
 X: ± 0.5 mm
 X.X: ± 0.3 mm
 X.XX: ± 0.05 mm

Notes:
 RoHS compliant
 Jacket meets ISO 10993 Biological Compatibility
 Phthalate and halogen free
 Function test: no open, no short, no intermittent

Description:
 Wire, 2C TS, 26 AWG, 150V, 70C, 3.0 mm, TPU, 75A, white, WBL

TENSILITY
 tel 1.541.323.3228 800 877.670.7118
 fax 1.541.323.4202 web tensility.com

Size:	Part number:
A	30-02778
Scale: 16:1	Sheet 1 of 1

To see a custom version of this cable assembly, call Tensility at 541-323-3228 or email engineering@tensility.com