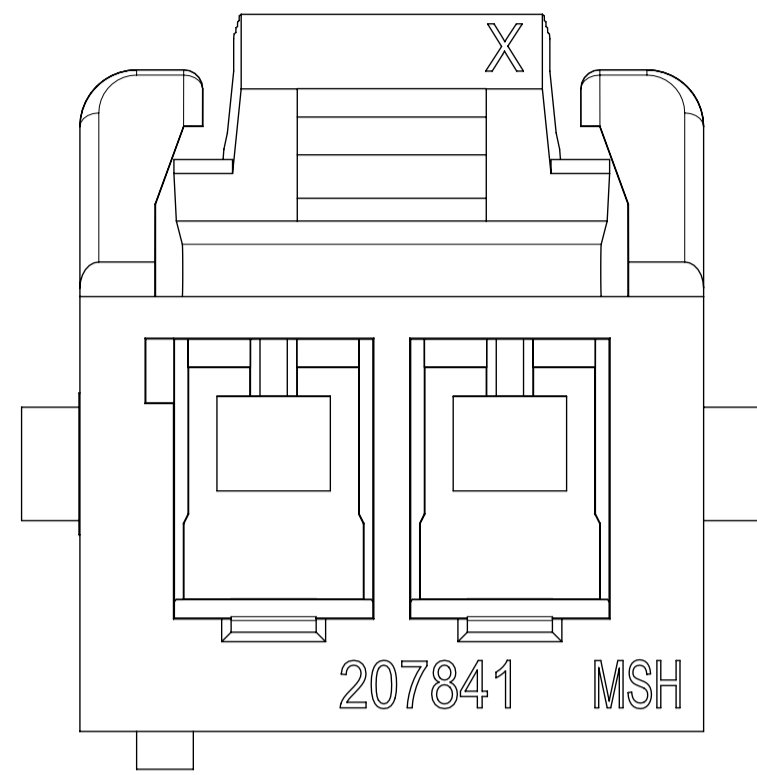


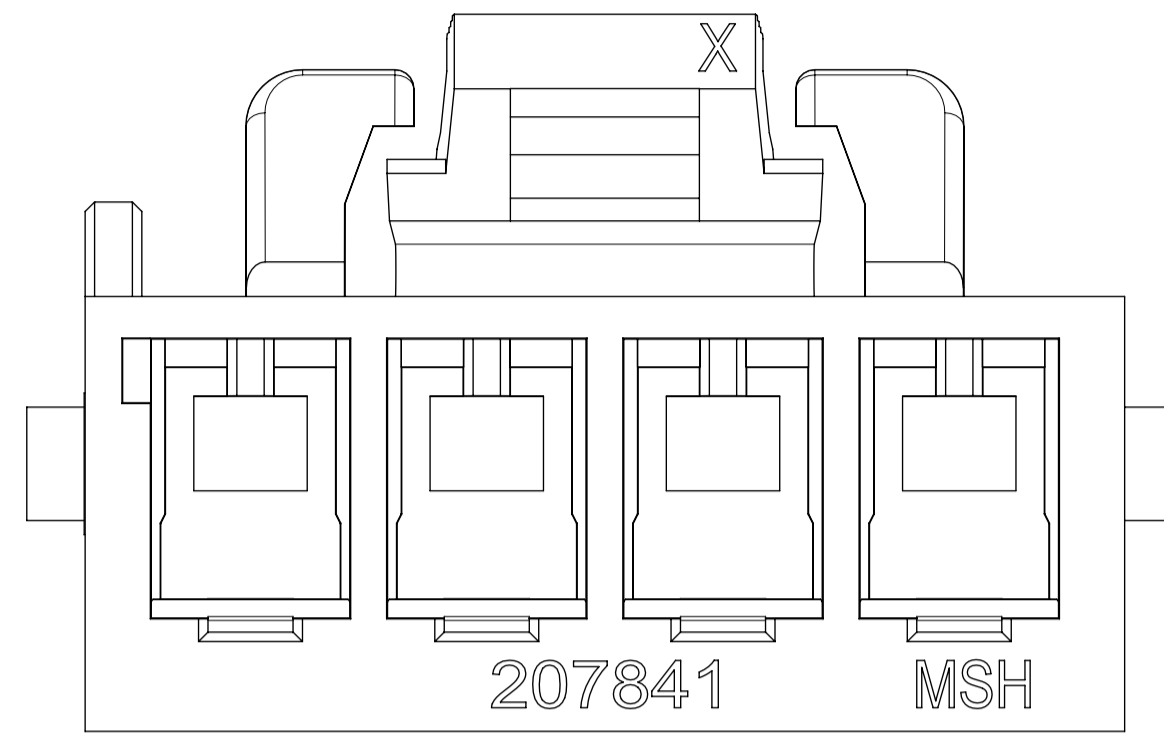


POLARIZATION

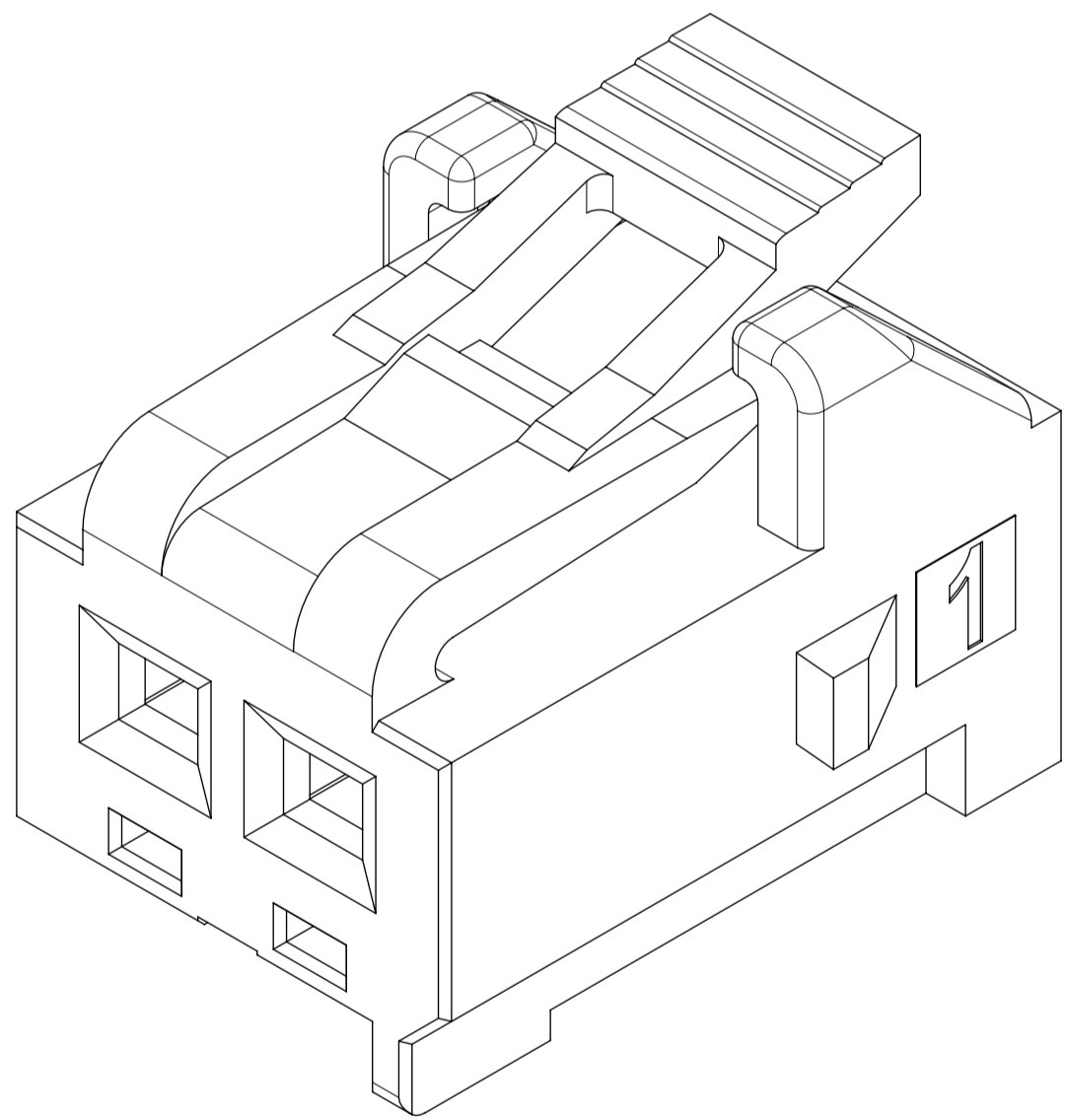
2 & 3 CKT



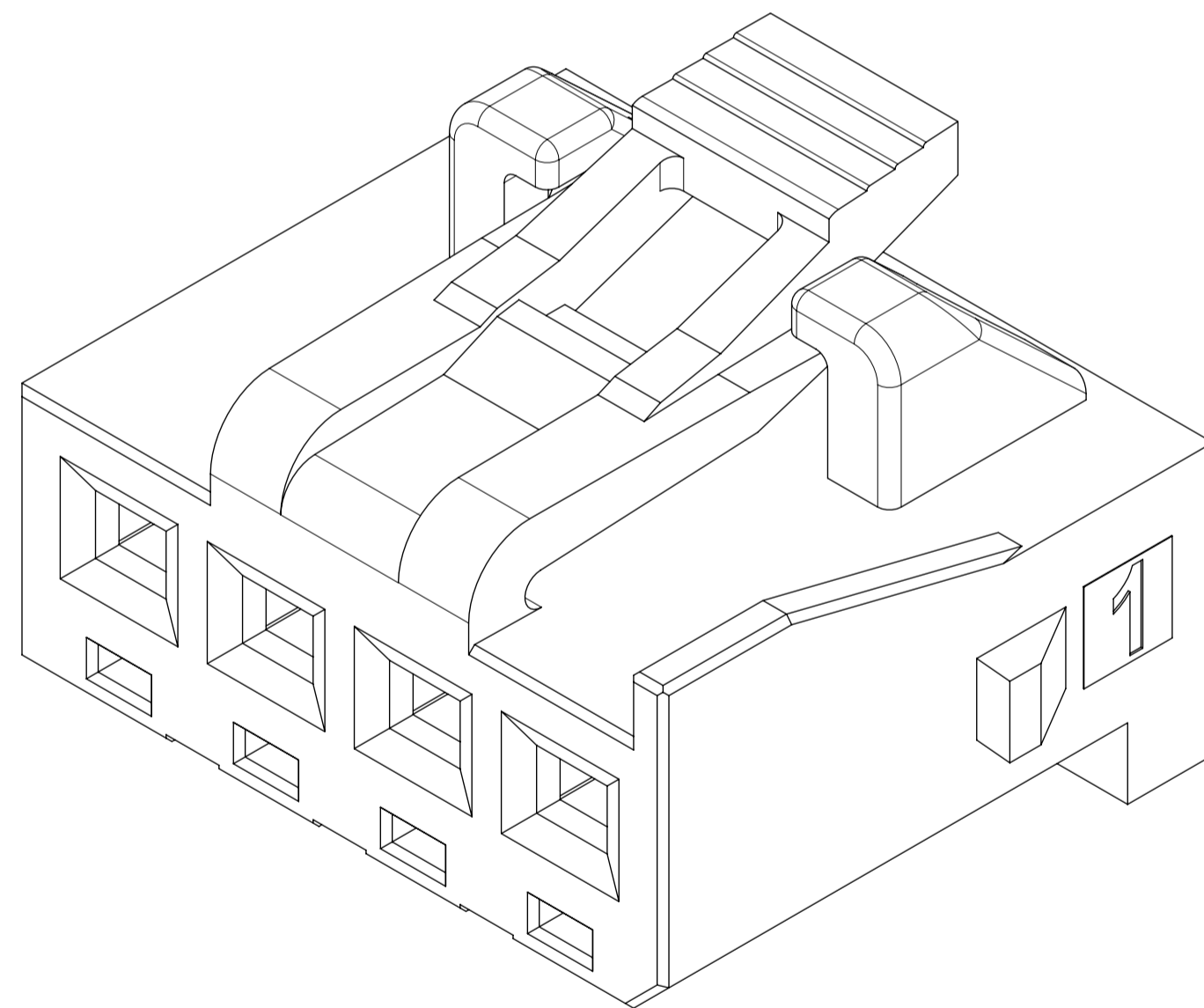
4 TO 10 CKT



ISOMETRIC OF 2 & 3 CKT



ISOMETRIC OF 4 TO 10 CKT



<b>SYMBOLS</b> = 0 = 0 = 0 = 0 = 0 = 0 = 0 = 0 = 0	THIS DRAWING CONTAINS INFORMATION THAT IS PROPRIETARY TO MOLEX ELECTRONIC TECHNOLOGIES, LLC AND SHOULD NOT BE USED WITHOUT WRITTEN PERMISSION		CURRENT REV DESC: EC NO: 706742 DRWN: SHRUTJ 2022/04/20 CHK'D: SHRUTJ 2022/05/13 APPR: ISHWARG 2022/05/13			
	DIMENSION UNITS: <b>mm</b> SCALE: <b>10:1</b>	GENERAL TOLERANCES (UNLESS SPECIFIED) ANGULAR TOL ± 0.5°		INITIAL REVISION: DRWN: SUDAYGUNAGI 2018/06/18 APPR: ISHWARG 2019/02/20		RECEPTACLE HOUSING FOR KK PLUS 250 PRODUCT CUSTOMER DRAWING
DRAFT WHERE APPLICABLE MUST REMAIN WITHIN DIMENSIONS	THIRD ANGLE PROJECTION	DRAWING: <b>A1-SIZE</b>	SERIES: <b>207841</b>	DOCUMENT NUMBER: <b>2078410004-SD</b>	DOC TYPE: <b>PSD</b> DOC PART: <b>000</b> REVISION: <b>A2</b>	MATERIAL NUMBER: _____ CUSTOMER: _____ SHEET NUMBER: <b>2 OF 2</b>