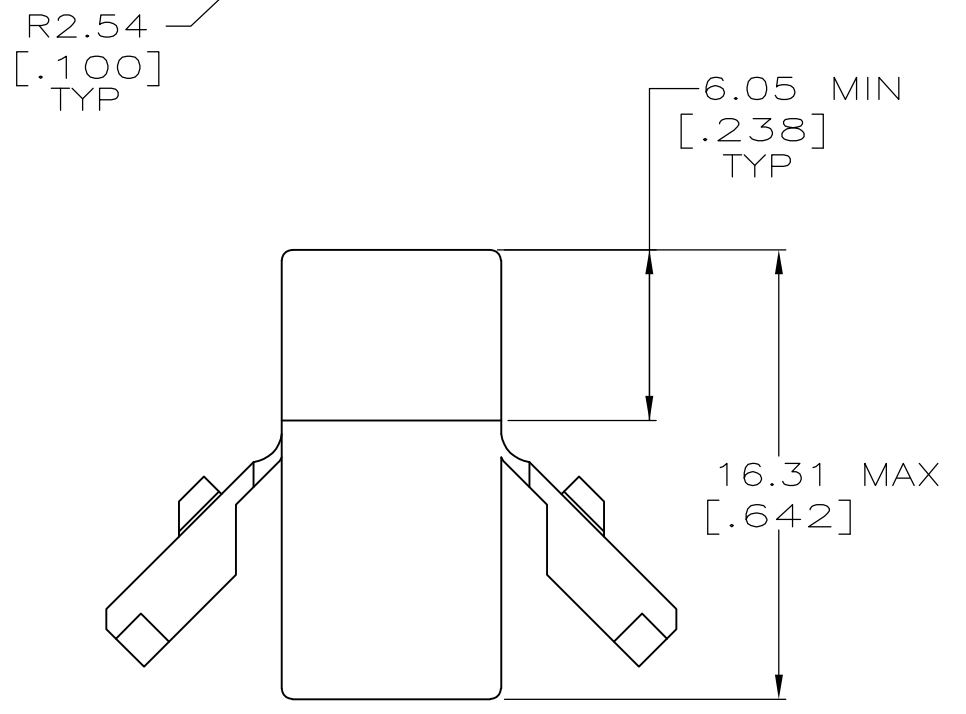
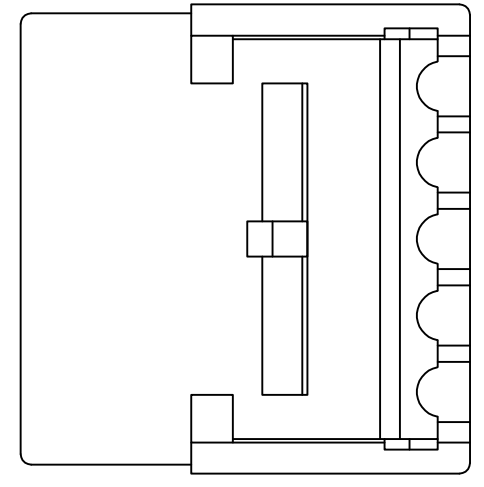
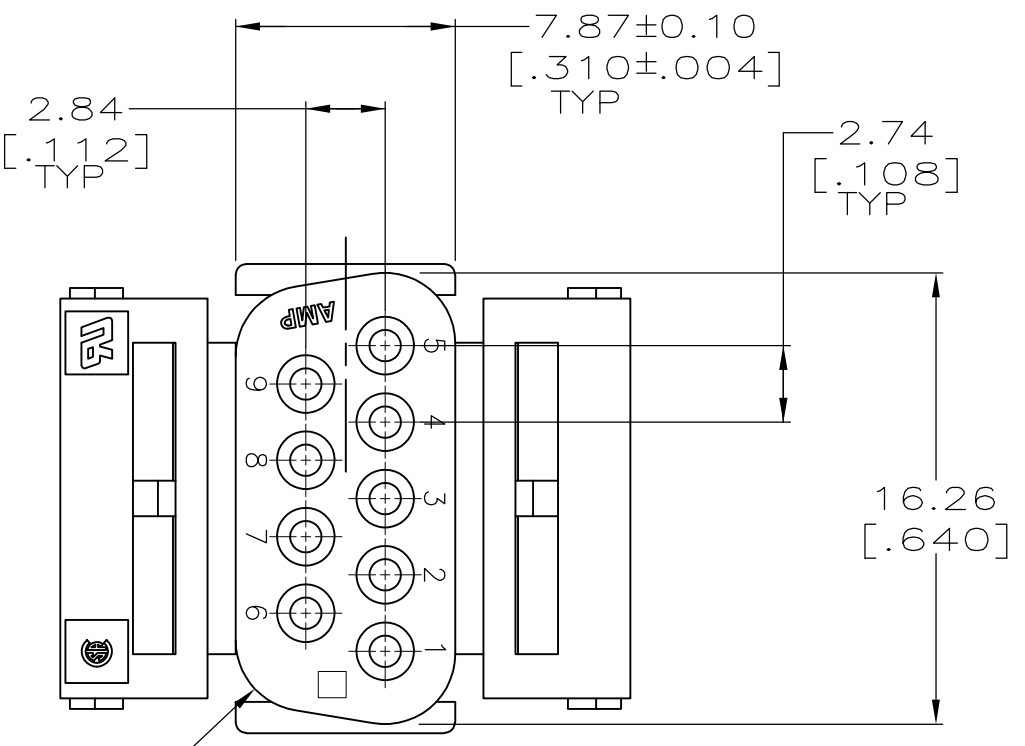


LOC	DIST	REVISIONS					
BD	48	P	LTR	DESCRIPTION	DATE	DWN	APVD
			B1	REVISED PER ECO-11-004835	11MAR11	RK	HMR

D  
C  
B  
A



207752-3  
PART NUMBER

THIS DRAWING IS A CONTROLLED DOCUMENT.		DWN C.OBERMAN 02 MAR 98	<b>STE</b> TE Connectivity													
DIMENSIONS: MM[INCHES]		CHK R.STONE 30 APR 98														
TOLERANCES UNLESS OTHERWISE SPECIFIED:		APVD R.TAYLOR 30 APR 98	NAME													
<table border="0"> <tr><td>0 PLC</td><td>± -</td></tr> <tr><td>1 PLC</td><td>± -</td></tr> <tr><td>2 PLC</td><td>± 0.13 [.005]</td></tr> <tr><td>3 PLC</td><td>± -</td></tr> <tr><td>4 PLC</td><td>± -</td></tr> <tr><td>ANGLES</td><td>± -</td></tr> </table>		0 PLC	± -	1 PLC	± -	2 PLC	± 0.13 [.005]	3 PLC	± -	4 PLC	± -	ANGLES	± -	PRODUCT SPEC	RECEPTACLE HOUSING, 9 POSITION, AMPLIMITE™	
0 PLC	± -															
1 PLC	± -															
2 PLC	± 0.13 [.005]															
3 PLC	± -															
4 PLC	± -															
ANGLES	± -															
MATERIAL THERMOPLASTIC, BLACK		FINISH -	WEIGHT -	RESTRICTED TO -												
		APPLICATION SPEC	SIZE A3	CAGE CODE 00779												
		WEIGHT -	DRAWING NO C-207752	REV B1												
		CUSTOMER DRAWING	SCALE 4:1	SHEET 1 of 1												