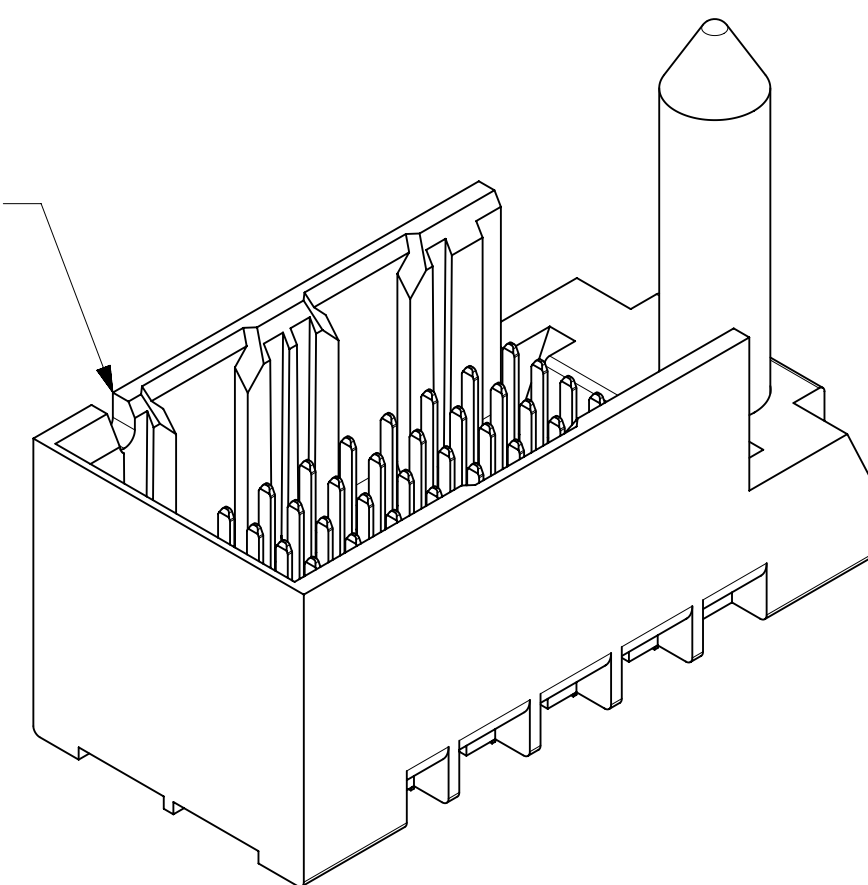


SEE PART NUMBER CHART AND PART NUMBER LOGIC (6 HOLES PER COLUMN)  
 RIGHT GUIDED BACKPLANE HOLE PATTERN (CONNECTOR SIDE)  
 SEE NOTE 11

NOTCH DESIGNATES ROW A

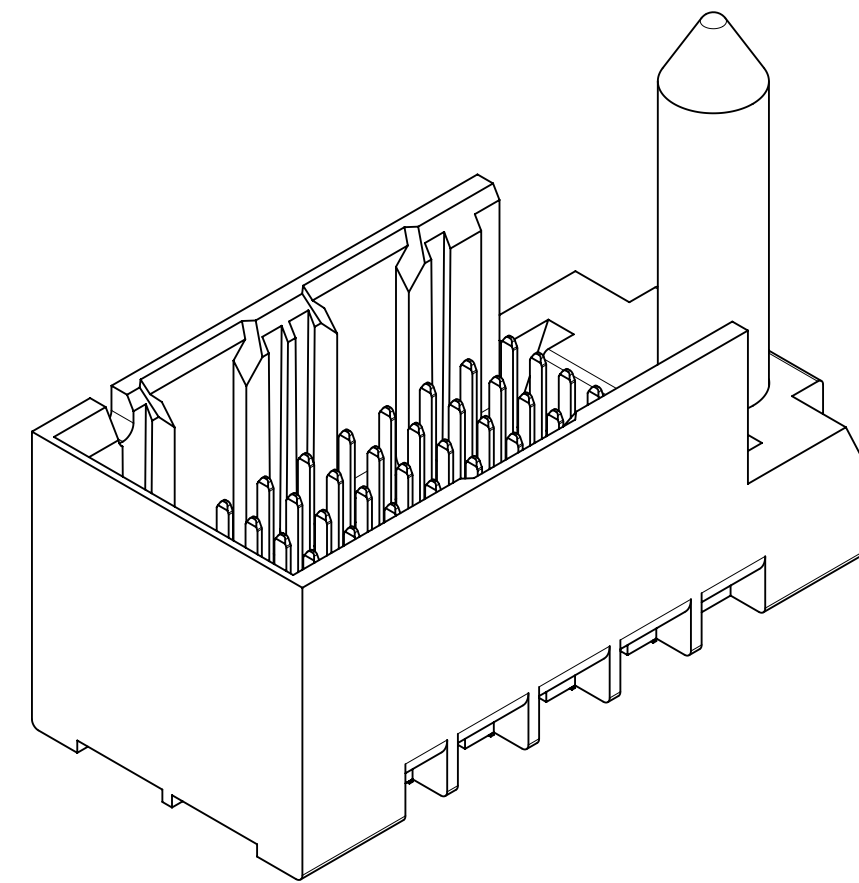


- NOTES:
- MATERIALS: HOUSING - LIQUID CRYSTAL POLYMER (LCP) GLASS-FILLED, UL94V-0  
 TERMINALS - HIGH PERFORMANCE COPPER ALLOY
  - FINISH: 30μ MIN GOLD IN CONTACT AREA.  
 SELECTIVE TIN ON PCB TAILS.  
 NICKEL OVERALL.
  - REFER TO MOLEX PRODUCT SPECIFICATION PS-76060-999. FOR PERFORMANCE SPECIFICATIONS AND ADDITIONAL PCB INFORMATION.
  - THIS PART CONFORMS TO CLASS B REQUIREMENTS OF MOLEX COSMETIC SPEC PS-45499-002.
  - PACKAGE PER: PK-70873-761
  - SEE SHEETS 2 & 3 FOR PART NUMBERS AND BOARD RELATIONSHIPS.
  - MATES WITH IMPACT DC SERIES NO. 76460.
  - KEEP OUT ZONE FOR BP HOUSING LENGTH INCLUDES AN ADDITIONAL 1.0MM TO ACCOMMODATE FOR SPACE REQUIRED BY DC FRONT HOUSING.
  - REFER TO MOLEX PCB ROUTING GUIDE AS-76060-990 FOR ANTIPAD AND ROUTING RECOMMENDATIONS.
  - CONNECTORS SUPPLIED WITH A 2-56 UNC-2A SCREW.
  - "THESE DIMENSIONS REPRESENT THE AREA NEEDED TO ACCOMMODATE CONNECTOR INSERTION AND REPAIR ON THE PC BOARD. THIS IS REFERRED TO AS THE "CONNECTOR KEEP OUT ZONE" AND DOES NOT REPRESENT THE ACTUAL PERIMETER OF THE CONNECTOR. WHEN LAYING OUT A PC BOARD FOR CONNECTORS STACKED TOGETHER, USE A 1.9mm PROGRESSION."

THIS DRAWING CONTAINS INFORMATION THAT IS PROPRIETARY TO MOLEX ELECTRONIC TECHNOLOGIES, LLC AND SHOULD NOT BE USED WITHOUT WRITTEN PERMISSION													
DRAWING CORRECTION	2018/04/19	GENERAL TOLERANCES (UNLESS SPECIFIED)	DIMENSION UNITS		SCALE								
	2018/04/23		MM		4:1								
	2018/05/09		ANGULAR TOL ± 0.5 °		DRWN BY							DATE	
			4 PLACES ±		MSANDBERG							2008/03/12	
EC NO: 175272 DRWN: HILGOH CHKD: JLTAN06 REV / APPR: DWLE01		2 PLACES ± 0.13	CHKD BY		DATE		IMPACT 2 PAIR HEADER RIGHT GUIDED ASSEMBLY SALES DRAWING PRODUCT CUSTOMER DRAWING						
		1 PLACE ± 0.25	JLAURX		2008/03/12								
		0 PLACES ±	APPR BY		DATE								
		DRAFT WHERE APPLICABLE MUST REMAIN WITHIN DIMENSIONS	JLAURX		2010/10/15								
			DRAWING SIZE		THIRD ANGLE PROJECTION								
G3			C		76455		SEE TABLE		GENERAL MARKET				
					DOCUMENT NUMBER		SD-76455-003		DOC TYPE DOC PART SHEET NUMBER				
									PSD 001 1 OF 3				

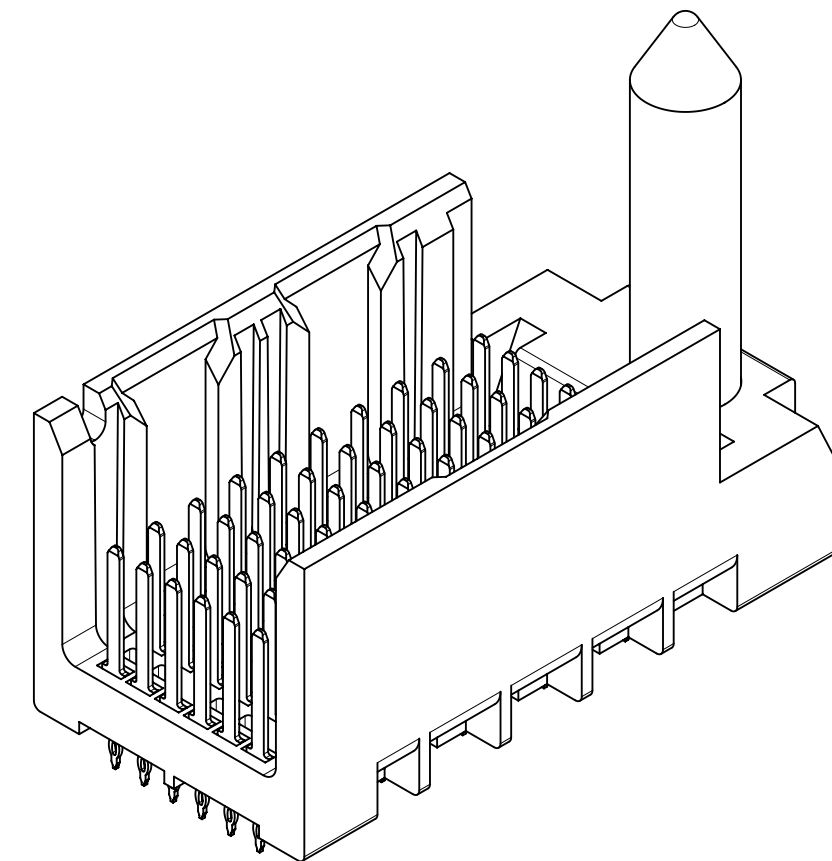
## PART NUMBER TABLE

MATERIAL NUMBER	# OF COLUMNS	# OF DIFF PAIR	DIM 'A'	DIM 'B'	GUIDE RIGHT END WALL OPTION
76455-*10*	10	20	26.9	17.10	
76455-*60*	16	32	38.3	28.50	



GUIDE RIGHT  
END WALL  
OPTION

MATERIAL NUMBER	# OF COLUMNS	# OF DIFF PAIR	DIM 'A'	DIM 'B'	GUIDE RIGHT OPEN WALL OPTION
76455-*10*	10	20	25.5	17.10	
76455-*60*	16	32	36.9	28.50	



GUIDE RIGHT  
OPEN WALL  
OPTION

## PART NUMBER LOGIC

76455 - \*\* 0 \*

MODULE TYPE

5 = GUIDE RIGHT, TIN

9 = GUIDE RIGHT END WALL, TIN

# OF COLUMNS

1 = 10 COL

6 = 16 COL

PIN LENGTH (P)

3 = 4.50 (SHORT COMPLIANT, 0.46±0.05 PTH)

4 = 4.90 (SHORT COMPLIANT, 0.46±0.05 PTH)

5 = 5.50 (SHORT COMPLIANT, 0.46±0.05 PTH)

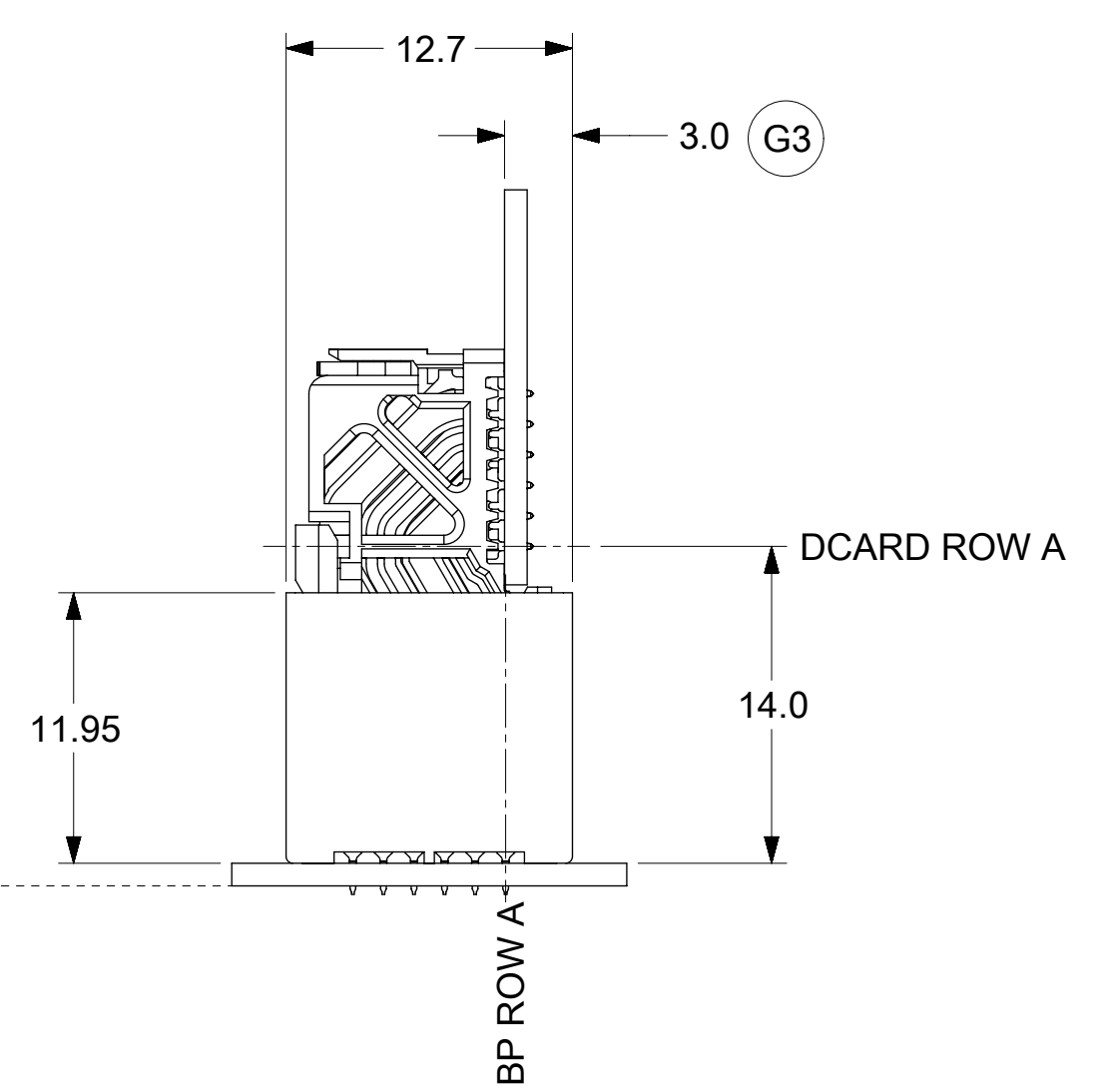
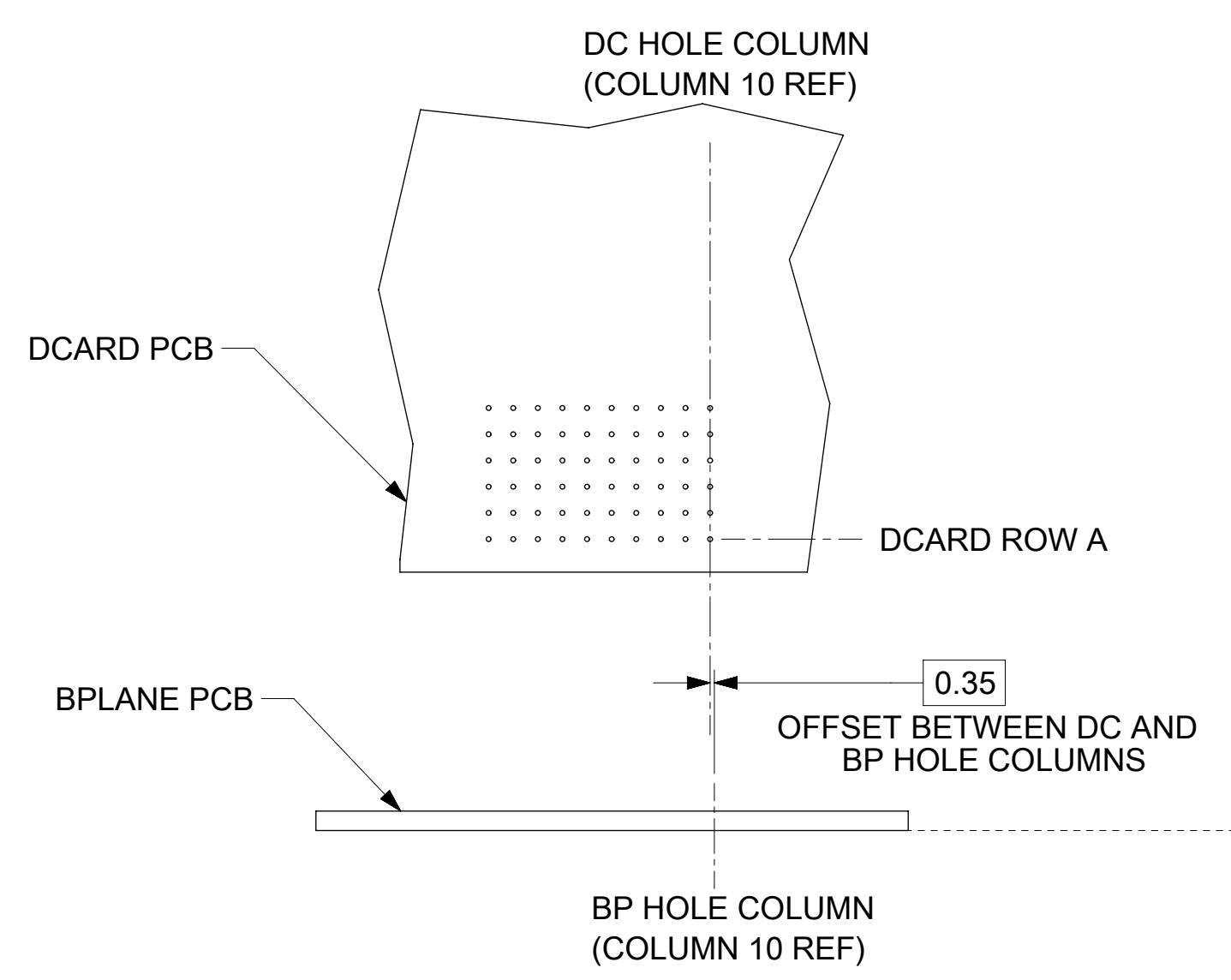
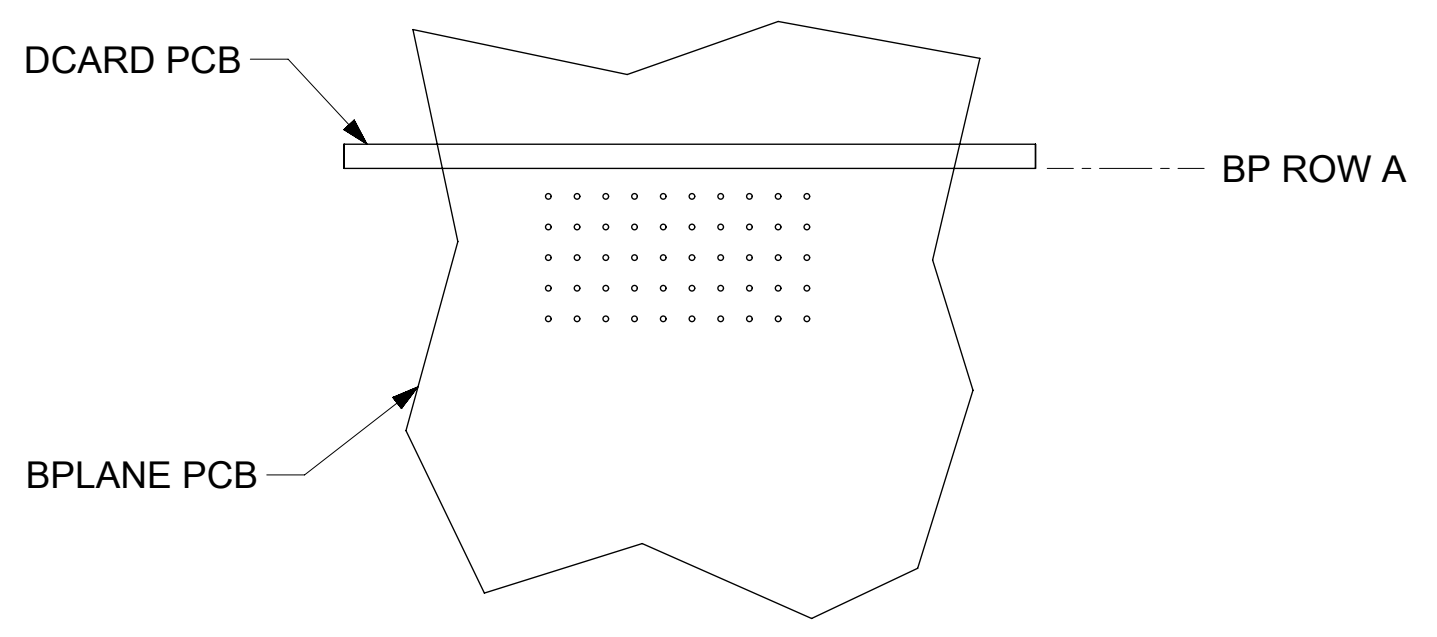
6 = 4.50 (MICRO COMPLIANT, 0.39±0.05 PTH)

7 = 4.90 (MICRO COMPLIANT, 0.39±0.05 PTH)

8 = 5.50 (MICRO COMPLIANT, 0.39±0.05 PTH)

THIS DRAWING CONTAINS INFORMATION THAT IS PROPRIETARY TO MOLEX ELECTRONIC TECHNOLOGIES, LLC AND SHOULD NOT BE USED WITHOUT WRITTEN PERMISSION											
DRAWING CORRECTION EC NO: 175272 DRWN: HILGOH CHKD: JLTAN06 REV / APPR: DWLEED01	2018/04/19	2018/04/23	2018/05/09	GENERAL TOLERANCES (UNLESS SPECIFIED)		DIMENSION UNITS	SCALE	<b>molex</b>  IMPACT 2 PAIR HEADER RIGHT GUIDED ASSEMBLY SALES DRAWING			
	ANGULAR TOL ± 0.5 °		MM	4:1							
	4 PLACES ±	MSANDBERG		DATE	2008/03/12		PRODUCT CUSTOMER DRAWING				
	3 PLACES ±	JLAURX		DATE	2008/03/12		SERIES	MATERIAL NUMBER	CUSTOMER		
	2 PLACES ± 0.13	JLAURX		DATE	2010/10/15		76455	SEE TABLE	GENERAL MARKET		
	1 PLACE ± 0.25	JLAURX		DATE	2010/10/15		DRAWING SIZE		THIRD ANGLE PROJECTION		
0 PLACES ±	DRAFT WHERE APPLICABLE MUST REMAIN WITHIN DIMENSIONS		C				DOCUMENT NUMBER	DOC TYPE	DOC PART	SHEET NUMBER	
G3	SD-76455-003		PSD	001	2 OF 3						

# IMPACT 2 PAIR BOARD RELATIONSHIPS



THIS DRAWING CONTAINS INFORMATION THAT IS PROPRIETARY TO MOLEX ELECTRONIC TECHNOLOGIES, LLC AND SHOULD NOT BE USED WITHOUT WRITTEN PERMISSION											
DRAWING CORRECTION	EC NO: 175272	2018/04/19	GENERAL TOLERANCES (UNLESS SPECIFIED)		DIMENSION UNITS	SCALE	<b>molex</b> IMPACT 2 PAIR HEADER RIGHT GUIDED ASSEMBLY SALES DRAWING				
	DRWN: HILGOH	2018/04/23	ANGULAR TOL ± 0.5 °		MM	2:1					
	CHKD: JLTAN06	2018/05/09	4 PLACES	±	DRWN BY	DATE	PRODUCT CUSTOMER DRAWING				
	REV / APPR: DWLEED01		3 PLACES	±	MSANDBERG	2008/03/12					
			2 PLACES	± 0.13	CHKD BY	DATE	SERIES MATERIAL NUMBER CUSTOMER				
			1 PLACE	± 0.25	JLAURX	2008/03/12					
		0 PLACES	±	APPR BY	DATE	DOCUMENT NUMBER DOC TYPE DOC PART SHEET NUMBER					
		DRAFT WHERE APPLICABLE MUST REMAIN WITHIN DIMENSIONS			JLAURX						2010/10/15
				DRAWING SIZE	THIRD ANGLE PROJECTION						
				C							