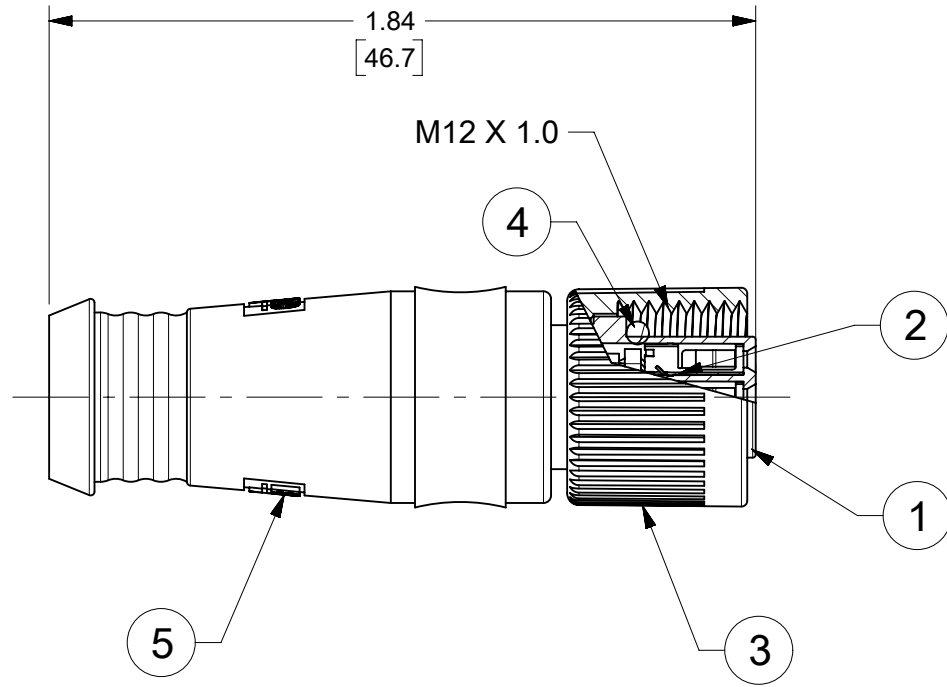
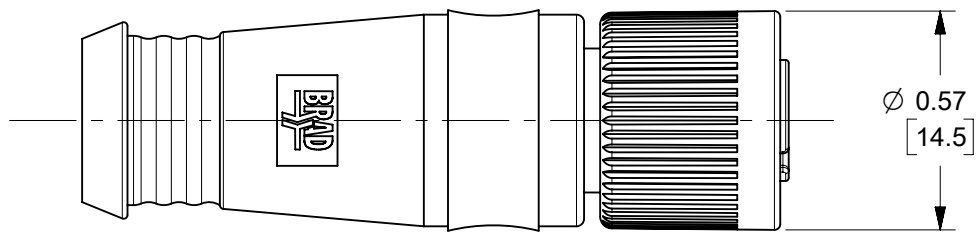
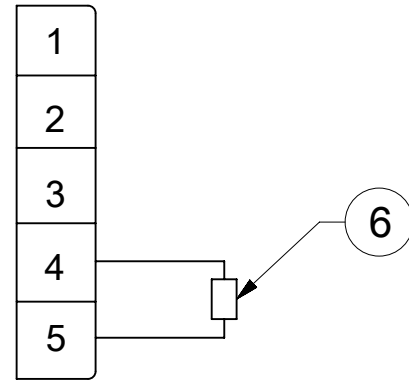


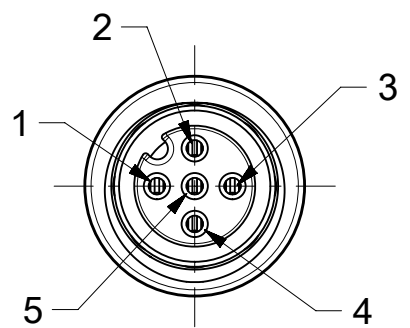
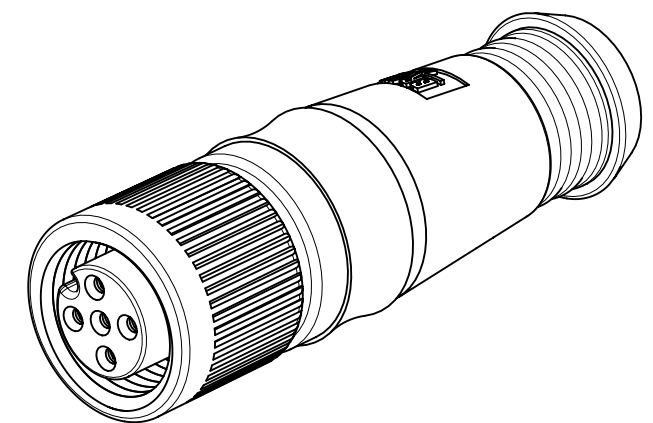
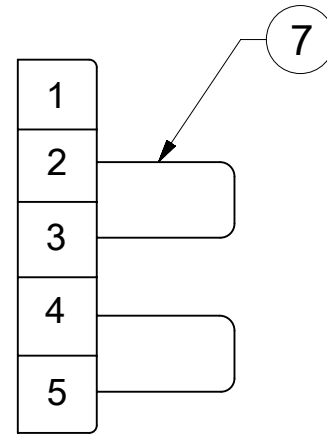
MATERIAL NO.	ENGINEERING NO.	DESCRIPTION
1300390385	DND150	FEMALE STANDARD TERMINATOR WITH RESISTOR
1300390386	DND151	FEMALE TERMINATOR WITH JUMPERS



WIRING DIAGRAM (1300390385)



WIRING DIAGRAM (1300390386)



- NOTES:
1. MATERIAL: SEE TABLE
 2. FINISHES: SEE TABLE
 3. ELECTRICAL SPECIFICATION:
VOLTAGE RATING: 30V
CURRENT RATING: 4.0 AMPS
 4. TEMP RATING: 0°C to +60°C (B)
 5. PROTECTION: IP67 RATED (WHEN MATED) (B)
 6. ALL DIMS ARE FOR REFERENCE UNLESS TOLERANCED OR NOTED OTHERWISE

ITEM	DESCRIPTION	MATERIAL	FINISH
7	JUMPER WIRE, 22 AWG	PVC INSULATION	
6	RESISTOR, 121 OHM, 1/4 WATT, ±1%	CARBON OR METAL FILM	
5	OVERMOLD	GRAY	TPC
4	O-RING	NITRILE	RED
3	FEMALE COUPLING NUT	ZINC DIE-CAST	BLACK E-COAT
2	SOCKET CONTACT	Cu ALLOY	GOLD OVER NICKEL
1	FEMALE INSERT	NYLON	BLACK

DOCUMENT STATUS	P1	RELEASE DATE	2022/06/14 13:48:40
-----------------	----	--------------	---------------------

FUNCTIONAL SYMBOLS		THIS DRAWING CONTAINS INFORMATION THAT IS PROPRIETARY TO MOLEX ELECTRONIC TECHNOLOGIES, LLC AND SHOULD NOT BE USED WITHOUT WRITTEN PERMISSION			
DIMENSION UNITS		SCALE			
INCH/MM		2:1		CURRENT REV DESC: UPDATED ITEM 5 WAS PVC, ADDED TEMP & IP RATINGS	
GENERAL TOLERANCES (UNLESS SPECIFIED)				EC NO: 709714	
4 PLACES ±		MM INCH		DRWN: VHANDI 2022/01/11	
3 PLACES ±				CHKD: RSTONE 2022/06/08	
2 PLACES ±				APPR: BWOODMAN 2022/06/14	
1 PLACE ±				INITIAL REVISION:	
0 PLACES ±				DRWN: RSTONE 2009/08/28	
ANGULAR TOL ± °				APPR: JFMURPHY 2009/08/31	
DRAFT WHERE APPLICABLE MUST REMAIN WITHIN DIMENSIONS		THIRD ANGLE PROJECTION		DRAWING	
		B-SIZE		SERIES	
		130039		MATERIAL NUMBER	
		SEE TABLE		CUSTOMER	
		GENERAL MARKET		DOCUMENT NUMBER	
		1 OF 1		SD-130039-012	
				DOC TYPE	
				PSD	
				DOC PART	
				001	
				REVISION	
				B	