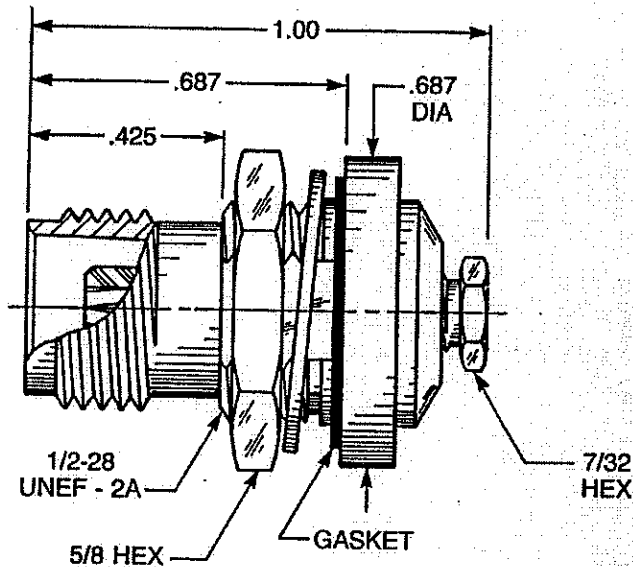


DESIGN SUBJECT TO CHANGE BY A. E. P.



NOTES: CONFORMS TO MIL-C-39012 TNC SERIES

MATERIAL:

1. INSULATORS = TEFLON VIRGIN WHITE PER ASTM-D-1710.
2. CONTACT = BERYLLIUM COPPER PER QQ-C530.
3. GASKET = SILICON RUBBER PER ZZ-R-765 CLASS 2B, GRADE 65-75.
4. LOCKWASHER = PHOSPHOR BRONZE QQ-B-750.
5. CONTACT ADAPTER & ALL OTHER METAL PARTS = BRASS 1/2 HARD PER QQ-B-626, ALLOY 360.

FINISHES:

1. CONTACTS = GOLD PLATE PER MIL-G-45204 TYPE II, CLASS I, GRADE C, OVER COPPER STRIKE PER MIL-C-14550.
2. ALL OTHER METAL PARTS = NICKEL PLATE PER QQ-N-290 CLASS I, GRADE G, OVER COPPER FLASH PER MIL-C-14550.

PROPRIETARY INFORMATION
NOT TO BE RELEASED
WITHOUT WRITTEN PERMISSION
FROM AN AUTHORIZED
REPRESENTATIVE OF
APPLIED ENGINEERING PRODUCTS.

TNC FEMALE
BULKHEAD MOUNT
REAR MOUNT
FOR USE WITH RG316, 188, 179 CABLES

APPLIED ENGINEERING PRODUCTS
104 John W. Murphy Drive, P.O. Box 510
New Haven, CT 06513

CODE IDENT. **19505**
6001-7051-003