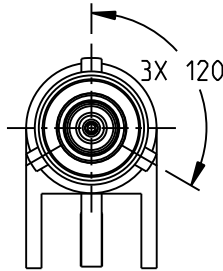
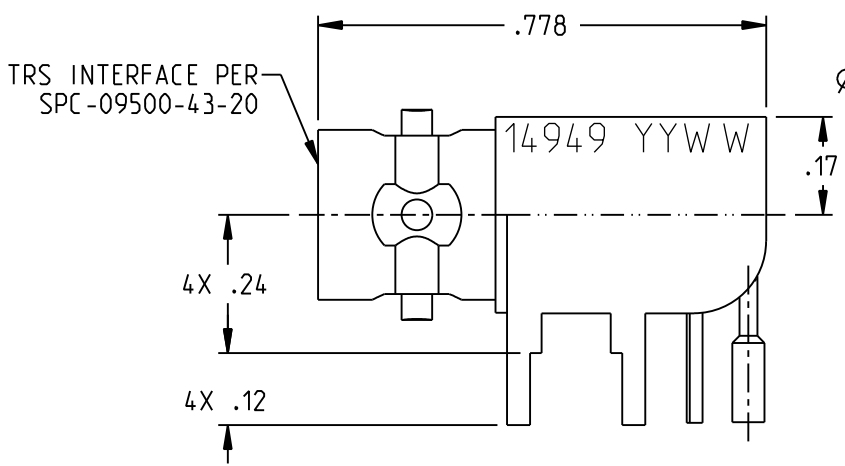


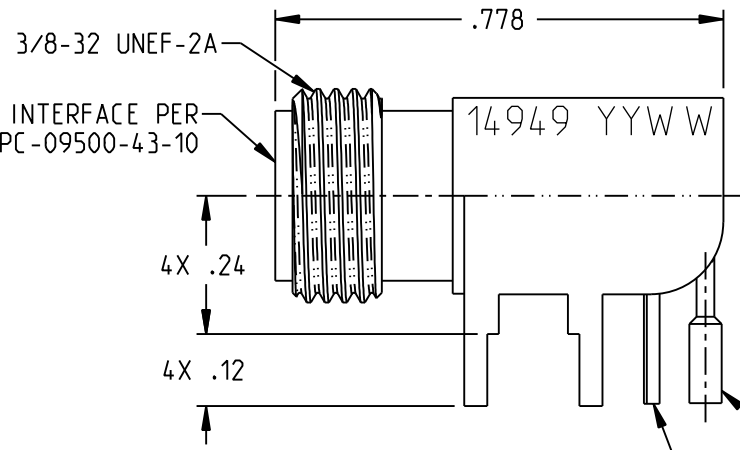
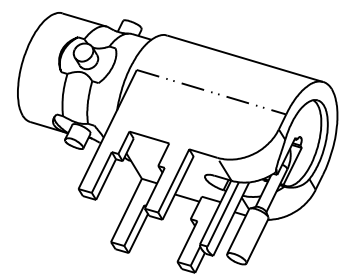
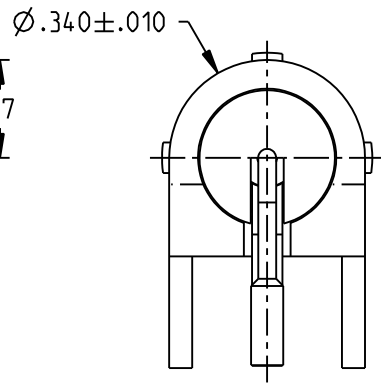
CBJR157FL



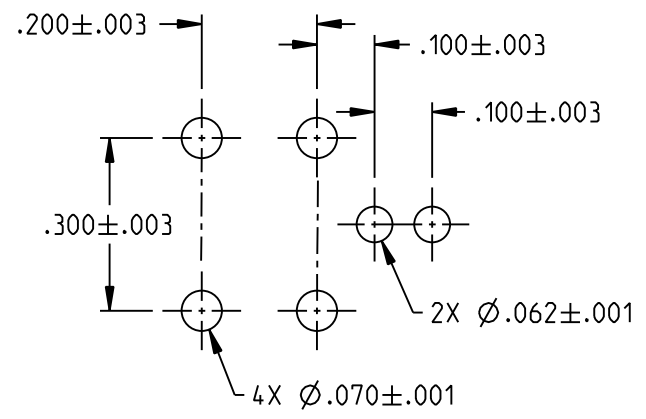
CBJR157



CBJR157FL SHOWN



CBJR3157 SHOWN



RECOMMENDED MTG HOLE PATTERN

NOTES: UNLESS OTHERWISE SPECIFIED.

1. MATERIAL & FINISH:
 - 1.1 BODY: TIN PLATED BRASS
 - 1.2 OUTER INSULATOR : PTFE (TEFLON)
 - 1.3 INTERMEDIATE CONTACT: GOLD PLATED BERYLLIUM COPPER
 - 1.4 DIELECTRIC: PTFE (TEFLON)
 - 1.5 CENTER CONTACT: GOLD PLATED BERYLLIUM COPPER

2. ELECTRICAL:
 - 2.1 FREQUENCY (MAX): 500 MHZ
 - 2.2 IMPEDANCE: NON-CONSTANT

		<h1>TROMPETER</h1>	
	NOTICE: The information in this drawing is PROPRIETARY and must not be used without the permission of Cinch Connectivity Solutions. It may contain data whose export is restricted. Verify status prior to exporting.	RoHS2 <input checked="" type="checkbox"/> 2015/863/EU	Title: TRS/TTM, PC, RIGHT ANGLE, JACK
UNLESS OTHERWISE SPECIFIED UNITS: INCH		Model No. CBJRX157XX	
INTERPRET DRAWING IN ACCORDANCE WITH ASME Y14.5-2018	.XX ±.02 .XXX ±.005 ANGLES ±2°	Size A DO NOT SCALE DRAWING	Date: 10/5/2021 Sheet 1 OF 1