

4

3

2

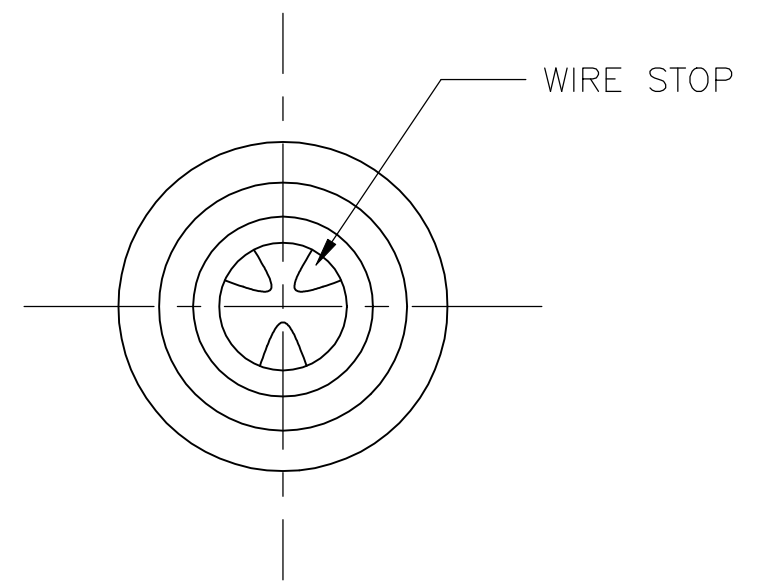
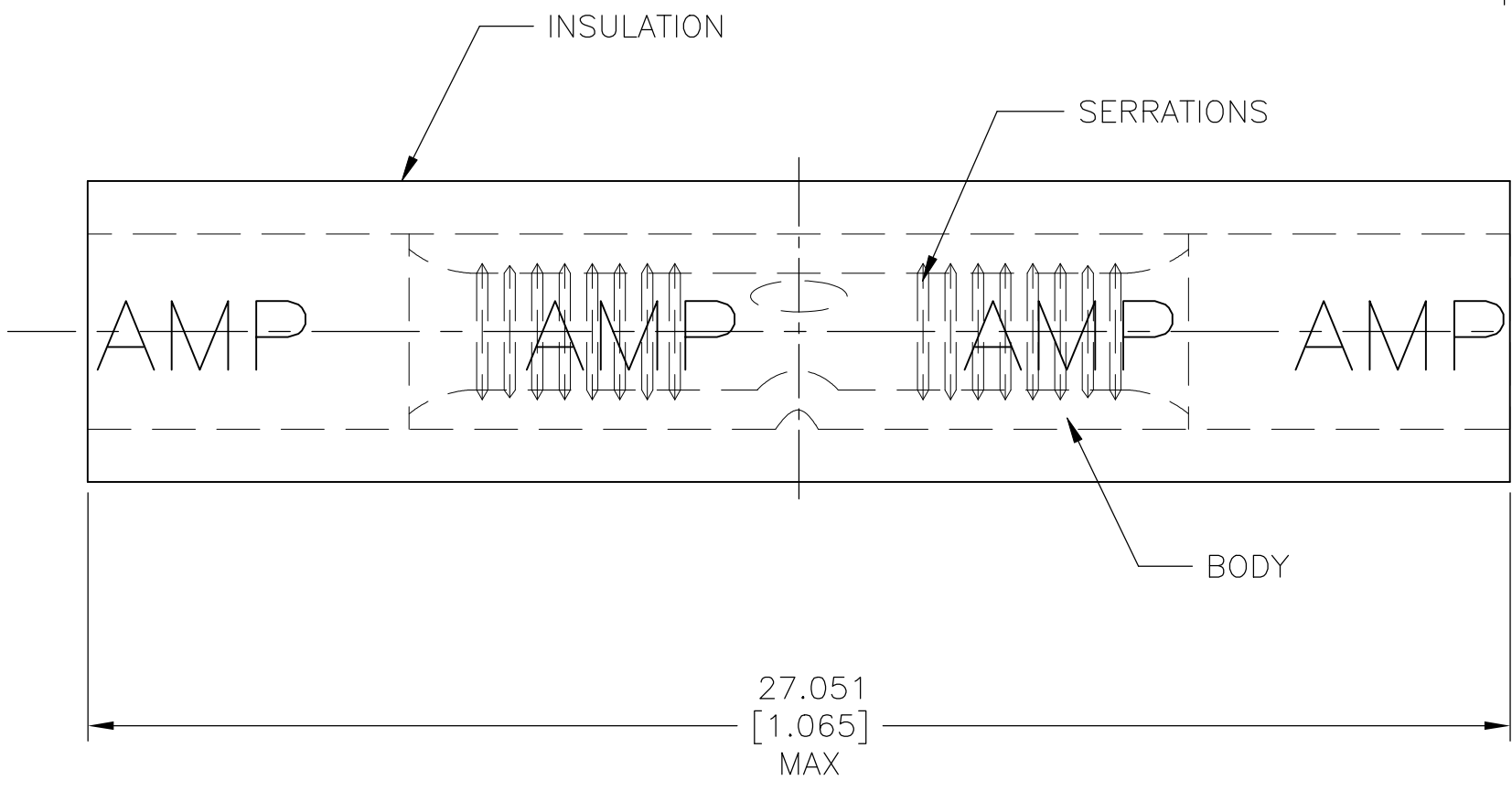
1

THIS DRAWING IS UNPUBLISHED. RELEASED FOR PUBLICATION  
 © COPYRIGHT - By - ALL RIGHTS RESERVED.

REVISIONS					
P	LTR	DESCRIPTION	DATE	DWN	APVD
	G1	REVISED PER ECO-11-020548	02FEB12	KH	DR
	G2	REVISED PER ECO-17-014338	14MAY2018	RS	DR

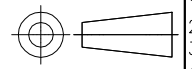
<b>AMP</b> WIRE RANGE	 Listed FILE E13288	 LR7189 Certified
16-14 AWG SOLID OR STRANDED	16-14 AWG SOLID OR STRANDED	16-14 AWG SOLID OR STRANDED


1 FOR 2.667[.105] TO 3.556[.140] WIRE INSULATION DIA



1000	LOOSE PIECE	INSULATION: PVC COLOR: BLUE BODY: COPPER PER ASTM B152 TIN PLATE PER ASTM B545	34068
QTY	PACKAGE TYPE	MATERIAL & FINISH	PART NO

AMP INCORPORATED CUSTOMER SERVICE SYSTEMS		
FOR ADDITIONAL PRODUCT INFORMATION OR COPIES OF DRAWINGS AND TECHNICAL DOCUMENTS	PRODUCT INFORMATION CENTER 1-800-522-6752	MAX RECOMMENDED OPERATING TEMPERATURE: 105°C [221°F] MAX
FOR APPLICATION TOOLING INFORMATION	TOOLING ASSISTANCE CENTER 1-800-722-1111	VOLTAGE RATING: 600 V 1000V SIGNS & FIXTURES
FOR ORDER ENTRY	1-800-526-5142	WIRE CROSS SECTIONAL AREA RANGE, 1.04-2.62mm <sup>2</sup> [2050-5180] CIR MILS SOLID OR STRANDED

THIS DRAWING IS A CONTROLLED DOCUMENT.	
DIMENSIONS: mm [INCHES]	TOLERANCES UNLESS OTHERWISE SPECIFIED:
	0 PLC ± - 1 PLC ± - 2 PLC ± - 3 PLC ± 0.127[.005] 4 PLC ± - ANGLES ± 5°
MATERIAL	FINISH
-	-

DWN	02FEB12	 TE Connectivity Ltd.
CHK	02FEB12	
APVD	02FEB12	
ROHDE DANIEL		
NAME	WIRE SPLICE PLASTI GRIP, BUTT, WIRE SIZE: 16-14	
PRODUCT SPEC	UL 486 A-B	
APPLICATION SPEC	114-2161	
WEIGHT	A3 00779 C-34068	
CUSTOMER DRAWING	SCALE	8:1
	SHEET	1 of 1
	REV	G2