

GlobTek, Inc. www.globtek.com 186 Veterans Drive, Northvale, NJ 07647 Tel. (201) 784-1000 Fax (201) 784-0111	Drawing Title: USB C MALE 3.1 - USB Type-C plug connector with a single locking screw MOLD#USB00018 compliant with Directive (EU) 2022/2380 and 2014/53/EU Radio Equipment Directive (RED) to USB C MALE 3.0 W/ EMARK - USB Type-C plug connector single locking screw Down Angle MOLD#USB00023 compliant with Directive (EU) 2022/2380 and 2014/53/EU Radio Equipment Directive (RED), GT Cable #UL2725 BK (32AWG*1P+AM)*4+32AWG*2C+32AWG*3C+24AWG*2C+AB OD:5.0: SEE CODE / 9 Conductors, 5.0mm OD, UL 2725, 80 Deg.C, 30V, , Approvals: , 2000mm, GlobTek Black	
	Model No. Low voltage cable	Part No./Ordering No. USBC1SW2M0USBC1SDEMBK
		Rev B

CUSTOMIZED LENGTHS, COLORS, CABLE TYPES, TERMINATIONS/PLUGS/RECEPTACLES AVAILABLE UPON REQUEST. ADDITIONAL PLUG OPTIONS ARE AVAILABLE AT <https://www.globtek.com/connectors/> STANDARD PLUGS AND CONNECTORS CAN BE SEEN ONLINE AT <https://www.globtek.com/connectors/> ACTUAL CONNECTORS, OVERMOLDS, FERRITES MAY VARY SLIGHTLY FROM THE PICTURE BELOW DIMENSIONS ARE IN MM UNLESS SPECIFIED OTHERWISE

In Addition to GlobTek Inc.'s renewed ISO9001:2008 - Quality Management System Certification, GlobTek Inc. is now certified to:

- ISO13485:2003 - Medical Devices Quality Management System Certification
- ISO14001:2004 - Environmental Management System Certification

ISO Certificates are available online at <https://www.globtek.com/iso-certificates/>

Prop 65 Statement: <https://en.globtek.com/prop-65-statement.pdf>

The acceptance of this specification and use of the product described in this document indicates the acceptance and binding of the customer to Globtek TERMS AND CONDITIONS (attached to the end of this document), which supersede all other agreements, terms, and conditions (<https://en.globtek.com/terms-and-conditions/>).

The purchaser of this product (Customer) agrees that it is their sole responsibility to determine suitability/fitness of the product described in this specification for their application and to take precautions for protection against any hazards attendant to the handling and use of the product.

Footnote:

GlobTek Inc. will not be liable for the safety and performance of these power supplies if unauthorized access and repair occurs. End user should consult applicable UL, CSA or EN standards for proper installation instruction.

Limitation of Use:

GlobTek products are intended for use with commercial, medical, and/or industrial equipment only. GlobTek product are not authorized for use as mission critical components in life support hazardous environment, nuclear or aircraft applications without prior written approval from the CEO of GlobTek Inc.
 Contents of this document are subject to change without prior notice.

Customer Approval of Specification:

Please approve, sign and send back to GlobTek so we can complete order processing.

A delay in receipt of this form will delay delivery schedule.

Company Name: _____	Customer P/N: _____
Quote Number: _____	Date: _____
Authorized Representative Name: _____	Authorized Representative Signature: _____

GlobTek, Inc. www.globtek.com 186 Veterans Drive, Northvale, NJ 07647 Tel. (201) 784-1000 Fax (201) 784-0111	Drawing Title: USB C MALE 3.1 - USB Type-C plug connector with a single locking screw MOLD#USB00018 compliant with Directive (EU) 2022/2380 and 2014/53/EU Radio Equipment Directive (RED) to USB C MALE 3.0 W/ EMARK - USB Type-C plug connector single locking screw Down Angle MOLD#USB00023 compliant with Directive (EU) 2022/2380 and 2014/53/EU Radio Equipment Directive (RED), GT Cable #UL2725 BK (32AWG*1P+AM)*4+32AWG*2C+32AWG*3C+24AWG*2C+AB OD:5.0: SEE CODE / 9 Conductors, 5.0mm OD, UL 2725, 80 Deg.C, 30V, , Approvals: , 2000mm, GlobTek Black	
	Model No. Low voltage cable	Part No./Ordering No. USBC1SW2M0USBC1SDEMBK

Rev B

CUSTOMIZED LENGTHS, COLORS, CABLE TYPES, TERMINATIONS/PLUGS/RECEPTACLES AVAILABLE UPON REQUEST. ADDITIONAL PLUG OPTIONS ARE AVAILABLE AT <https://www.globtek.com/connectors/> STANDARD PLUGS AND CONNECTORS CAN BE SEEN ONLINE AT <https://www.globtek.com/connectors/> ACTUAL CONNECTORS, OVERMOLDS, FERRITES MAY VARY SLIGHTLY FROM THE PICTURE BELOW DIMENSIONS ARE IN MM UNLESS SPECIFIED OTHERWISE

REVISION HISTORY

REV	DESCRIPTION	SUB	DATE	APPROVED
B	Change Connector/End B Termination to USBCM3.0-EM-1 Screw Down Angle	QA	07/02/2021	QA
A	Initial release	jwam	02/17/2021	JOHN

Cordset Information:

CordsetColor:GlobTek Black

Cord Length (mm):2000

NOTES:

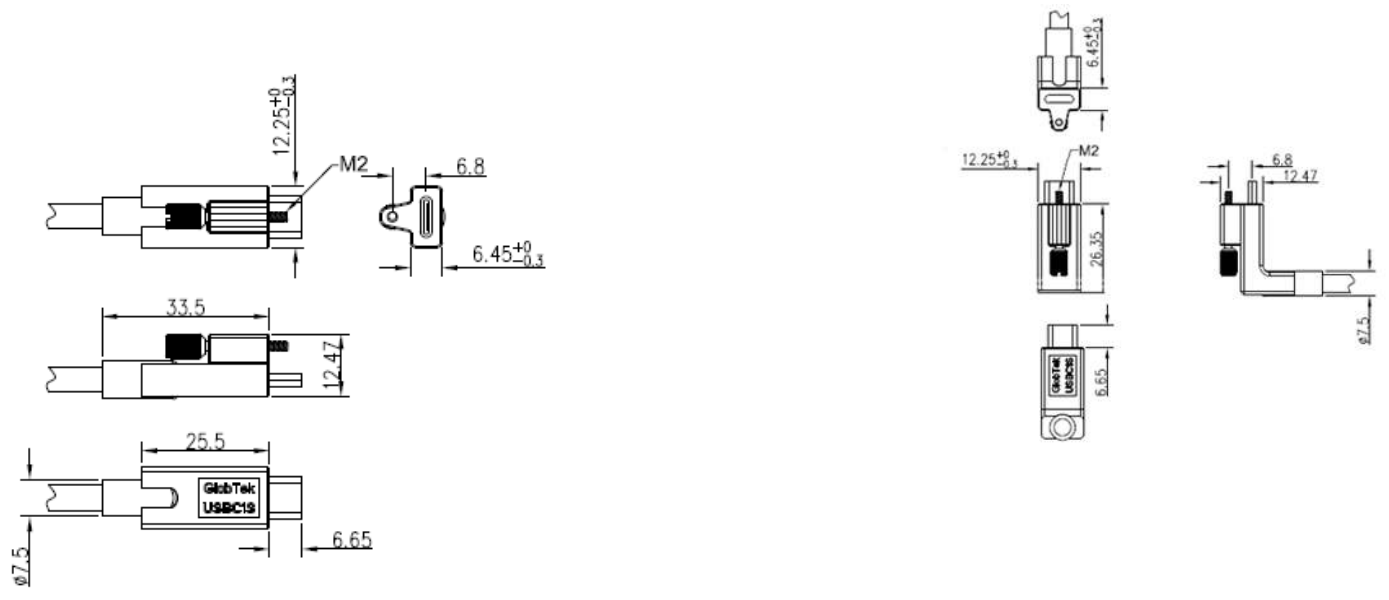
Cord, Plug and Connector must be marked with approval symbols of file number(s)

GlobTek, Inc. www.globtek.com 186 Veterans Drive, Northvale, NJ 07647 Tel. (201) 784-1000 Fax (201) 784-0111	Drawing Title: USB C MALE 3.1 - USB Type-C plug connector with a single locking screw MOLD#USB00018 compliant with Directive (EU) 2022/2380 and 2014/53/EU Radio Equipment Directive (RED) to USB C MALE 3.0 W/ EMARK - USB Type-C plug connector single locking screw Down Angle MOLD#USB00023 compliant with Directive (EU) 2022/2380 and 2014/53/EU Radio Equipment Directive (RED), GT Cable #UL2725 BK (32AWG*1P+AM)*4+32AWG*2C+32AWG*3C+24AWG*2C+AB OD:5.0: SEE CODE / 9 Conductors, 5.0mm OD, UL 2725, 80 Deg.C, 30V, , Approvals: , 2000mm, GlobTek Black
	Model No. Low voltage cable Part No./Ordering No. USBC1SW2M0USBC1SDEMBK Rev B

CUSTOMIZED LENGTHS, COLORS, CABLE TYPES, TERMINATIONS/PLUGS/RECEPTACLES AVAILABLE UPON REQUEST. ADDITIONAL PLUG OPTIONS ARE AVAILABLE AT <https://www.globtek.com/connectors/> STANDARD PLUGS AND CONNECTORS CAN BE SEEN ONLINE AT <https://www.globtek.com/connectors/> ACTUAL CONNECTORS, OVERMOLDS, FERRITES MAY VARY SLIGHTLY FROM THE PICTURE BELOW DIMENSIONS ARE IN MM UNLESS SPECIFIED OTHERWISE

END A

END B



Note: This USB Type-C-to-Type-C cable should only be connected between a power source and sink (Load or user system) which are both fully compatible with the USB Type-C or USB Power Delivery (PD) specifications. Use of Type-A-to-Type-C “legacy” converters is not advised, as they may cause power negotiation errors.

When using a Type-C-to-Type-C cable, internal circuits in both the

<p>GlobTek, Inc. www.globtek.com 186 Veterans Drive, Northvale, NJ 07647 Tel. (201) 784-1000 Fax (201) 784-0111</p>	<p>Drawing Title: USB C MALE 3.1 - USB Type-C plug connector with a single locking screw MOLD#USB00018 compliant with Directive (EU) 2022/2380 and 2014/53/EU Radio Equipment Directive (RED) to USB C MALE 3.0 W/ EMARK - USB Type-C plug connector single locking screw Down Angle MOLD#USB00023 compliant with Directive (EU) 2022/2380 and 2014/53/EU Radio Equipment Directive (RED), GT Cable #UL2725 BK (32AWG*1P+AM)*4+32AWG*2C+32AWG*3C+24AWG*2C+AB OD:5.0: SEE CODE / 9 Conductors, 5.0mm OD, UL 2725, 80 Deg.C, 30V, , Approvals: , 2000mm, GlobTek Black</p>
	<p>Model No. Low voltage cable</p> <p>Part No./Ordering No. USBC1SW2M0USBC1SDEMBK</p> <p style="text-align: right;">Rev B</p>

CUSTOMIZED LENGTHS, COLORS, CABLE TYPES, TERMINATIONS/PLUGS/RECEPTACLES AVAILABLE UPON REQUEST. ADDITIONAL PLUG OPTIONS ARE AVAILABLE AT <https://www.globtek.com/connectors/> STANDARD PLUGS AND CONNECTORS CAN BE SEEN ONLINE AT <https://www.globtek.com/connectors/> ACTUAL CONNECTORS, OVERMOLDS, FERRITES MAY VARY SLIGHTLY FROM THE PICTURE BELOW DIMENSIONS ARE IN MM UNLESS SPECIFIED OTHERWISE

power source and sink (Load or user system) handle power negotiation. A cable with an integrated pull-up resistor is only necessary when adapting a “legacy” USB source to a Type-C

<p>GlobTek, Inc. www.globtek.com 186 Veterans Drive, Northvale, NJ 07647 Tel. (201) 784-1000 Fax (201) 784-0111</p>	<p>Drawing Title: USB C MALE 3.1 - USB Type-C plug connector with a single locking screw MOLD#USB00018 compliant with Directive (EU) 2022/2380 and 2014/53/EU Radio Equipment Directive (RED) to USB C MALE 3.0 W/ EMARK - USB Type-C plug connector single locking screw Down Angle MOLD#USB00023 compliant with Directive (EU) 2022/2380 and 2014/53/EU Radio Equipment Directive (RED), GT Cable #UL2725 BK (32AWG*1P+AM)*4+32AWG*2C+32AWG*3C+24AWG*2C+AB OD:5.0: SEE CODE / 9 Conductors, 5.0mm OD, UL 2725, 80 Deg.C, 30V, , Approvals: , 2000mm, GlobTek Black</p>
	<p>Model No. Low voltage cable</p> <p>Part No./Ordering No. USBC1SW2M0USBC1SDEMBK</p> <p style="text-align: right;">Rev B</p>

CUSTOMIZED LENGTHS, COLORS, CABLE TYPES, TERMINATIONS/PLUGS/RECEPTACLES AVAILABLE UPON REQUEST. ADDITIONAL PLUG OPTIONS ARE AVAILABLE AT <https://www.globtek.com/connectors/> STANDARD PLUGS AND CONNECTORS CAN BE SEEN ONLINE AT <https://www.globtek.com/connectors/> ACTUAL CONNECTORS, OVERMOLDS, FERRITES MAY VARY SLIGHTLY FROM THE PICTURE BELOW DIMENSIONS ARE IN MM UNLESS SPECIFIED OTHERWISE

compliant sink (Load or user system).

GlobTek, Inc. www.globtek.com 186 Veterans Drive, Northvale, NJ 07647 Tel. (201) 784-1000 Fax (201) 784-0111	Drawing Title: USB C MALE 3.1 - USB Type-C plug connector with a single locking screw MOLD#USB00018 compliant with Directive (EU) 2022/2380 and 2014/53/EU Radio Equipment Directive (RED) to USB C MALE 3.0 W/ EMARK - USB Type-C plug connector single locking screw Down Angle MOLD#USB00023 compliant with Directive (EU) 2022/2380 and 2014/53/EU Radio Equipment Directive (RED), GT Cable #UL2725 BK (32AWG*1P+AM)*4+32AWG*2C+32AWG*3C+24AWG*2C+AB OD:5.0: SEE CODE / 9 Conductors, 5.0mm OD, UL 2725, 80 Deg.C, 30V, , Approvals: , 2000mm, GlobTek Black	
	Model No. Low voltage cable	Part No./Ordering No. USBC1SW2M0USBC1SDEMBK

Rev B

CUSTOMIZED LENGTHS, COLORS, CABLE TYPES, TERMINATIONS/PLUGS/RECEPTACLES AVAILABLE UPON REQUEST. ADDITIONAL PLUG OPTIONS ARE AVAILABLE AT <https://www.globtek.com/connectors/> STANDARD PLUGS AND CONNECTORS CAN BE SEEN ONLINE AT <https://www.globtek.com/connectors/> ACTUAL CONNECTORS, OVERMOLDS, FERRITES MAY VARY SLIGHTLY FROM THE PICTURE BELOW DIMENSIONS ARE IN MM UNLESS SPECIFIED OTHERWISE

End A Code:USBCM3.1-Lock 1 screw Description:USB C MALE 3.1 - USB Type-C plug connector with a single locking screw MOLD#USB00018 compliant with Directive (EU) 2022/2380 and 2014/53/EU Radio Equipment Directive (RED) Rating (V):30 Rating (A):5.0 Gender:Male Overmolded:Yes	Cable Code:UL2725 BK (32AWG*1P+AM)*4+32AWG*2C+32AWG*3C+24AWG*2C+AB OD:5.0 Description:GT Cable #UL2725 BK (32AWG*1P+AM)*4+32AWG*2C+32AWG*3C+24AWG*2C+AB OD:5.0: SEE CODE / 9 Conductors, 5.0mm OD, UL 2725, 80 Deg.C, 30V, , Approvals: Color:GlobTek Black Wire Gauge(AWG):SEE CODE Cond:9 Type:UL 2725 Temperature:80° C Amps:5 Volts:30 OD:5.0 ConductorsColors:	End B Code:USBCM3.0-EM-1 Screw Down Angle Description:USB C MALE 3.0 W/ EMARK - USB Type-C plug connector single locking screw Down Angle MOLD#USB00023 compliant with Directive (EU) 2022/2380 and 2014/53/EU Radio Equipment Directive (RED) Rating (V):30 Rating (A):5.0 Gender:Male Overmolded:Yes
--	--	--

Overall cable rating:5A/20V

Plug Approvals	Cable Approvals	Connector Approvals
----------------	-----------------	---------------------



UL RECOGNIZED

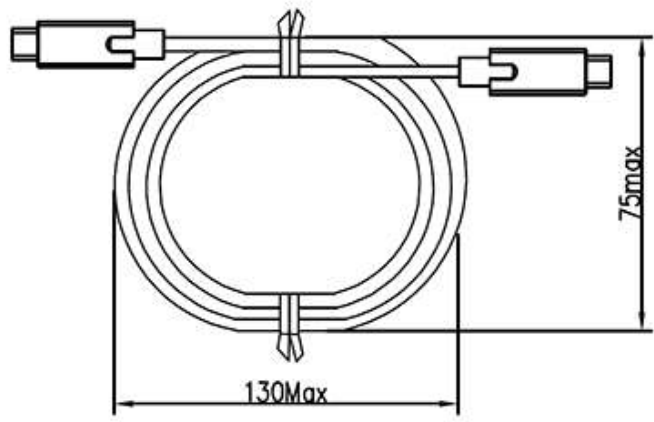
AGENCY ONLINE DOCUMENTS	http://www.globtek.info/certs/USB%20cables/
RoHS/RoHS3 Declaration	https://www.globtek.com/pdf/rohs_cert/01t3a000005D9WXAA0
REACH Declaration	https://www.globtek.com/pdf/iso_certificates/REACH.pdf
Conflict Minerals Declaration	https://www.globtek.com/pdf/conflict-minerals.pdf
Prop 65 Statement	https://en.globtek.com/prop-65-statement.pdf
CE.UKCA.Cord	https://globtek.secure.force.com/spec/ec_decl_product_model_family_incl_cord?id=01t3a000005D9WX

IPXY rating is based on 3rd party testing and customers should check suitability and test system level IPXY rating before ordering.

<p>GlobTek, Inc. www.globtek.com 186 Veterans Drive, Northvale, NJ 07647 Tel. (201) 784-1000 Fax (201) 784-0111</p>	<p>Drawing Title: USB C MALE 3.1 - USB Type-C plug connector with a single locking screw MOLD#USB00018 compliant with Directive (EU) 2022/2380 and 2014/53/EU Radio Equipment Directive (RED) to USB C MALE 3.0 W/ EMARK - USB Type-C plug connector single locking screw Down Angle MOLD#USB00023 compliant with Directive (EU) 2022/2380 and 2014/53/EU Radio Equipment Directive (RED), GT Cable #UL2725 BK (32AWG*1P+AM)*4+32AWG*2C+32AWG*3C+24AWG*2C+AB OD:5.0: SEE CODE / 9 Conductors, 5.0mm OD, UL 2725, 80 Deg.C, 30V, , Approvals: , 2000mm, GlobTek Black</p>
	<p>Model No. Low voltage cable</p> <p>Part No./Ordering No. USBC1SW2M0USBC1SDEMBK</p> <p style="text-align: right;">Rev B</p>

CUSTOMIZED LENGTHS, COLORS, CABLE TYPES, TERMINATIONS/PLUGS/RECEPTACLES AVAILABLE UPON REQUEST. ADDITIONAL PLUG OPTIONS ARE AVAILABLE AT <https://www.globtek.com/connectors/> STANDARD PLUGS AND CONNECTORS CAN BE SEEN ONLINE AT <https://www.globtek.com/connectors/> ACTUAL CONNECTORS, OVERMOLDS, FERRITES MAY VARY SLIGHTLY FROM THE PICTURE BELOW DIMENSIONS ARE IN MM UNLESS SPECIFIED OTHERWISE

Hanking: 130 COIL USBC
Description: 130.0 MAX
Image:



GlobTek, Inc. www.globtek.com 186 Veterans Drive, Northvale, NJ 07647 Tel. (201) 784-1000 Fax (201) 784-0111	Drawing Title: USB C MALE 3.1 - USB Type-C plug connector with a single locking screw MOLD#USB00018 compliant with Directive (EU) 2022/2380 and 2014/53/EU Radio Equipment Directive (RED) to USB C MALE 3.0 W/ EMARK - USB Type-C plug connector single locking screw Down Angle MOLD#USB00023 compliant with Directive (EU) 2022/2380 and 2014/53/EU Radio Equipment Directive (RED), GT Cable #UL2725 BK (32AWG*1P+AM)*4+32AWG*2C+32AWG*3C+24AWG*2C+AB OD:5.0: SEE CODE / 9 Conductors, 5.0mm OD, UL 2725, 80 Deg.C, 30V, , Approvals: , 2000mm, GlobTek Black	
	Model No. Low voltage cable	Part No./Ordering No. USBC1SW2M0USBC1SDEMBK

Rev B

CUSTOMIZED LENGTHS, COLORS, CABLE TYPES, TERMINATIONS/PLUGS/RECEPTACLES AVAILABLE UPON REQUEST. ADDITIONAL PLUG OPTIONS ARE AVAILABLE AT <https://www.globtek.com/connectors/> STANDARD PLUGS AND CONNECTORS CAN BE SEEN ONLINE AT <https://www.globtek.com/connectors/> ACTUAL CONNECTORS, OVERMOLDS, FERRITES MAY VARY SLIGHTLY FROM THE PICTURE BELOW DIMENSIONS ARE IN MM UNLESS SPECIFIED OTHERWISE

Notes/Modifications/Customizations (notes in this section supersede the values shown in the standard spec):

If system load requirement exceeds 3A, VBUS may drop by 5% or more. The VBUS undervoltage detection threshold may need to be increased to accommodate cable voltage drop. Please check your controller's default setting and adjust accordingly

