

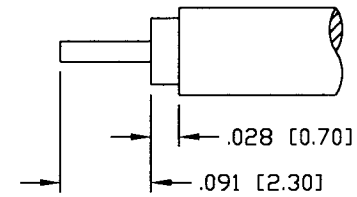
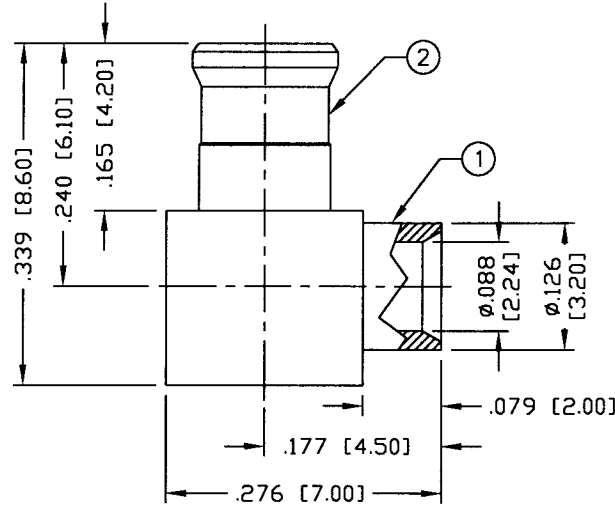
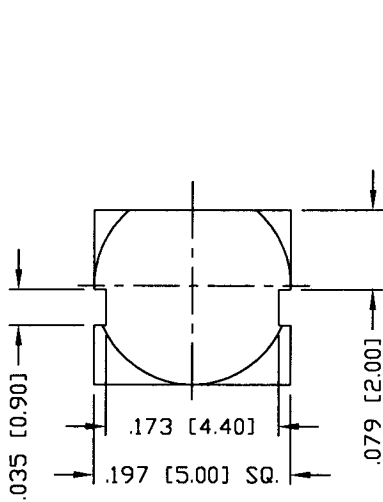
THIS DRAWING CONTAINS INFORMATION PROPRIETARY TO RF INDUSTRIES.
 ANY UNAUTHORIZED USE OF THIS DRAWING IS EXPRESSLY PROHIBITED
 WITHOUT WRITTEN PERMISSION FROM RF INDUSTRIES.
 ANY VIOLATION IS PUNISHABLE UNDER U.S. COPYRIGHT LAWS.

PART NO.

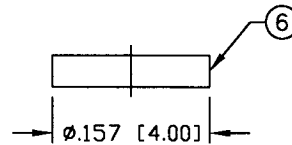
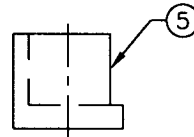
RMX-8010-1SR1

REV	DESCRIPTION	DWN	DATE	APPROVED
-	ENGINEERING RELEASE	CZS	8/24/99	JDMc

ALL DIMENSIONS ARE REFERENCE ONLY



RECOMMENDED CABLE STRIP DIMENSIONS



SPECIFICATIONS:

IMPEDANCE: 50 Ohms
 FREQUENCY RANGE: 0-6 GHz
 WORKING VOLTAGE: 335 V rms @ sea level
 TEMPERATURE RANGE: -65°C TO 165°C
 INSULATION RESISTANCE: 1k M Ohms min.
 FOR .085 SEMI RIGID, RG-405/U & BELDEN 1671A CABLE

#	DESCRIPTION	QTY	MATERIAL	FINISH	APPROVALS	DATE
1	BODY	1	BRASS	GOLD, 3μ"	008974	
2	MCX BODY	1	BeCu	GOLD, 3μ"		
3	INSULATOR	1	PTFE	---		
4	PIN	1	BRASS	GOLD, 30μ"		
5	INSULATOR	1	DELFIN	---		
6	PRESS COVER	1	BRASS	GOLD, 3μ"		
7						
8						
9						
10						
11					DRAWN C. ZUNIGA	11/20/03
12					CHECKED <i>[Signature]</i>	11/20/03
13					ORJ DRAWN C. ZUNIGA	11/20/03
14						

UNLESS OTHERWISE SPECIFIED:

 DIMENSIONS ARE IN INCHES AND [MILLIMETERS]
 UNLESS OTHERWISE NOTED TOLERANCES ARE:
 DECIMALS DIAMETER

RF connectors
 DIVISION OF RF INDUSTRIES, LTD.
 7610 MIRAMAR RD
 SAN DIEGO, CA 92126
 (858) 549-6340
 (858) 549-6345 FAX

MCX PLUG

RIGHT ANGLE, SOLDER

SIZE A	CABLE GROUP SR1	DWG NO. RMX-8010-1SR1	REV —
SCALE: NTS		CAD FILE OUTLINE	SHEET 1 OF 1