

注記  
NOTE

1. 使用材料  
MATERIAL
- ハウジング  
HOUSING : 液晶ポリマー (LCP)、ガラス充填、  
UL94V-0 色: 黒色  
LIQUID CRYSTAL POLYMER(LCP)  
GLASS FILLED,UL94V-0 COLOR:BLACK
- ターミナル  
TERMINAL : 銅合金(τ=0.18)  
ニッケル下地 錫ビスマスメッキ  
COPPER ALLOY(τ=0.18)  
Sn-Bi PLATING OVER NICKEL PLATING.
- 金具  
FITTING NAIL : 銅合金(τ=0.25)  
ニッケル下地 錫メッキ  
COPPER ALLOY(τ=0.25)  
TIN OVER NICKEL PLATING.

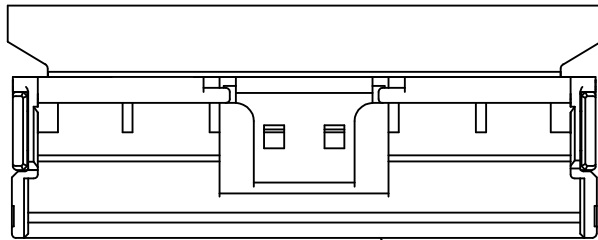
- △2 N=偶数に適用 (N:極数)  
APPLY FOR N-EVEN(CIRCUIT)
- △3 パターン剥離止め用金具  
FITTING NAIL FOR PREVENTION OF PEELING  
OF P.C.B PATTERN.
- △4 適合ジャケット: 501783-\*\*09  
製品詳細寸法はSD-501783-001を参照下さい。  
APPLICABLE JACKET:501783-\*\*09  
RE DETAILED DIMENSION,SEE SD-501783-001.
- △5 適合ジャケットカバー: 501784-\*\*09  
製品詳細寸法はSD-501784-001を参照下さい。  
APPLICABLE JACKET:501784-\*\*09  
RE DETAILED DIMENSION,SEE SD-501784-001.

参考基板レイアウト  
P.C BOARD PATTERN  
DIMENSION(REF.)  
(マウント面)  
(MOUNTING SIDE)

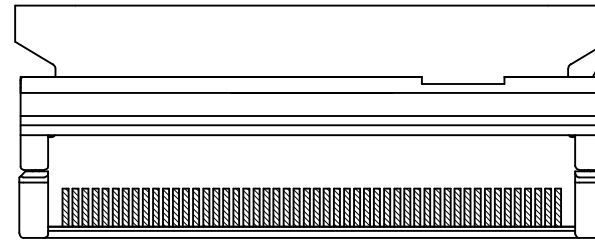
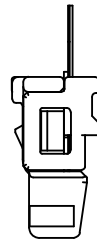
|      |      |      |      |              |    |
|------|------|------|------|--------------|----|
| 27.2 | 29.1 | 24.5 | 33.1 | 501786-5021  | 50 |
| 22.2 | 24.1 | 19.5 | 28.1 | 501786-4021  | 40 |
| 17.2 | 19.1 | 14.5 | 23.1 | 501786-3021  | 30 |
| D    | C    | B    | A    | MATERIAL NO. | 極数 |

|  |             |  |  |                             |  |  |                        |                           |  |
|--|-------------|--|--|-----------------------------|--|--|------------------------|---------------------------|--|
| REVISED<br>EC NO: J2013-0731<br>DR:MNK/NAGUMO 2012/08/02<br>CHKD:K.TAKAHASHI 2012/08/03<br>APPR:KMORIKAWA 2013/01/07 | DESCRIPTION | GENERAL TOLERANCES<br>(UNLESS SPECIFIED) |  | DIMENSION STYLE<br>MM ONLY  |  | SCALE<br>1/1                                       | DESIGN UNITS<br>METRIC | THIRD ANGLE<br>PROJECTION |  |
|  |             | 10 UNDER                                 | ±0.2   | DRAWN BY<br>H.IIJIMA        | DATE<br>06/01/13   | TITLE<br>0.5 FFC TO BOARD CONN<br>REC HSG ASSY(ST) |                        |                           |  |
|  |             | 10 OVER 30 UNDER                         | ±0.25  | CHECKED BY<br>K.TAKAHASHI   | DATE<br>06/01/13   |  |                        |                           |  |
|  |             | 30 OVER                                  | ±0.3   | APPROVED BY<br>H.HIRATA     | DATE<br>06/01/13   |  |                        |                           |  |
| A  | REV         | ANGULAR                                  | ±1°  | MATERIAL NO.<br>501786-**21 |  | DOCUMENT NO.<br>SD-501786-004                      |                        | SHEET NO.<br>1 OF 2       |  |
|  |             |  | DRAFT WHERE APPLICABLE<br>MUST REMAIN<br>WITHIN DIMENSIONS |                             | THIS DRAWING CONTAINS INFORMATION THAT IS PROPRIETARY TO MOLEX<br>INCORPORATED AND SHOULD NOT BE USED WITHOUT WRITTEN PERMISSION |  |                        |                           |  |

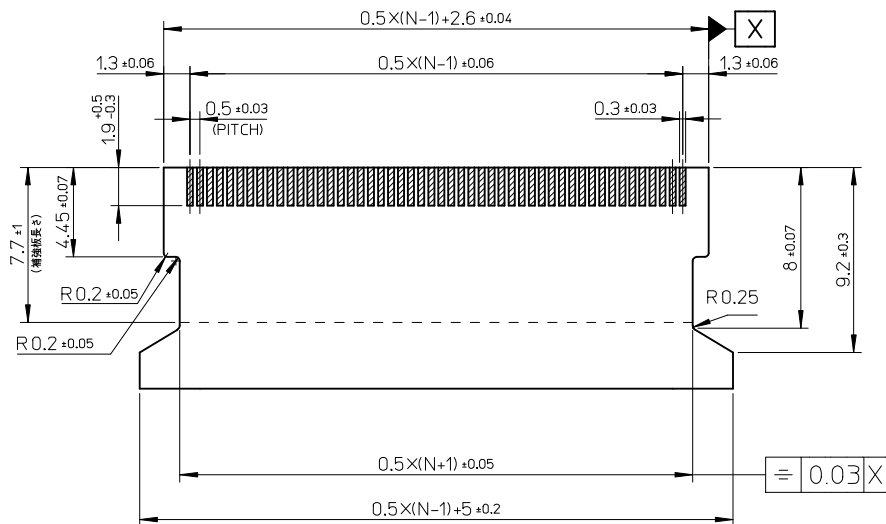
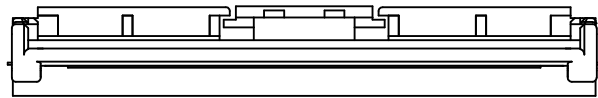
10 9 8 7 6 5 4 3 2 1



△ ジャケット  
JACKET

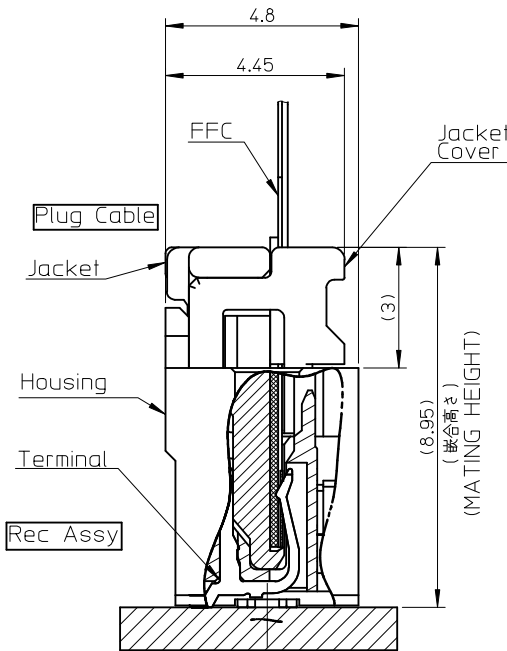


△ ジャケットカバー  
JACKET COVER



コネクタ接点部

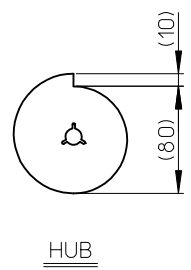
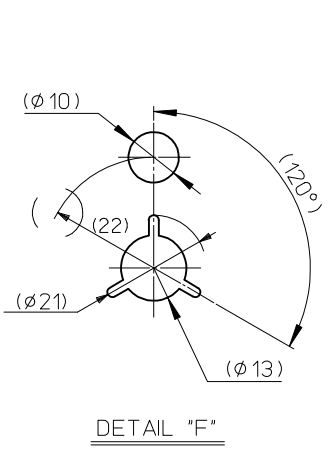
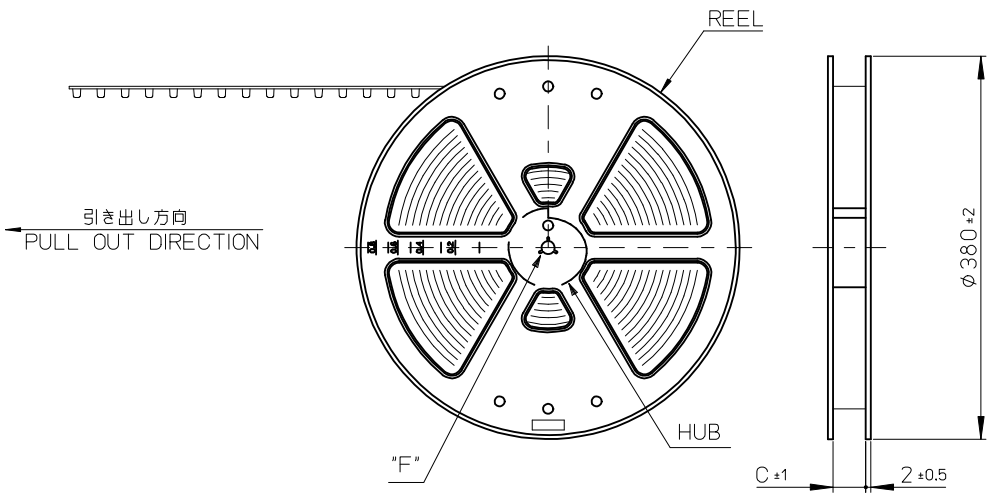
適合FFC推奨寸法  
APPLICABLE FFC  
RECOMENDED DIMENSION  
(仕上がり厚さ: コネクタ接点部 0.3±0.03)



嵌合断面図

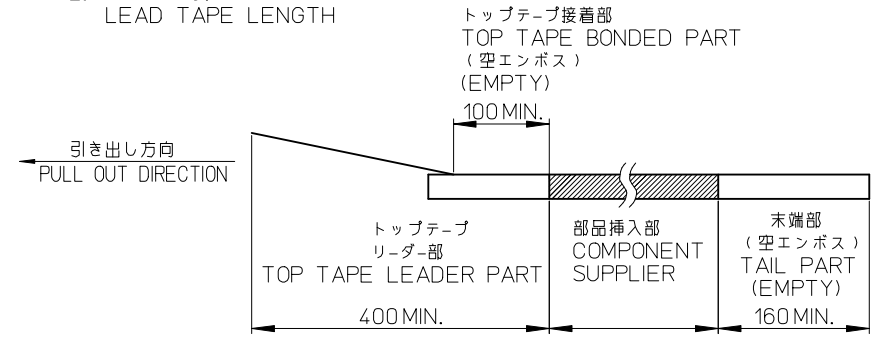
|  |                                       |                             |  |                               |  |                        |
|--|---------------------------------------|-----------------------------|--|-------------------------------|--|------------------------|
| SEE SHEET 1 OF 2<br>EC NO.: J2013-0731<br>DRAWN BY: DRW/NK/NAGUNO 2012/08/02<br>CHECKED BY: CHK/DKTAKAHASHI 2012/08/03<br>APPR: KYORIKAWA 2013/01/07 | GENERAL TOLERANCES (UNLESS SPECIFIED) |                             | DIMENSION STYLE<br>MM ONLY   | SCALE<br>-4:1-                | DESIGN UNITS<br>METRIC                             | THIRD ANGLE PROJECTION |
|  | 10 UNDER                              | ± 0.2                       | DRAWN BY<br>H. IJIMA   | DATE<br>06/01/13              | TITLE<br>0.5 FFC TO BOARD CONN<br>REC HSG ASSY(ST) |                        |
|  | 10 OVER 30 UNDER                      | ± 0.25                      | CHECKED BY<br>K. TAKAHASHI   | DATE<br>06/01/13              |  |                        |
|  | 30 OVER                               | ± 0.3                       | APPROVED BY<br>H. HIRATA   | DATE<br>06/01/13              |  |                        |
| ANGULAR  | ±1 °                                  | MATERIAL NO.<br>501786-**21 |  | DOCUMENT NO.<br>SD-501786-004 | SHEET NO.<br>2 OF 2                                |                        |
| DRAFT WHERE APPLICABLE<br>MUST REMAIN<br>WITHIN DIMENSIONS   |                                       | SIZE<br>A3                  | THIS DRAWING CONTAINS INFORMATION THAT IS PROPRIETARY TO MOLEX<br>INCORPORATED AND SHOULD NOT BE USED WITHOUT WRITTEN PERMISSION |                               |  |                        |

9 8 7 6 5 4 3 2

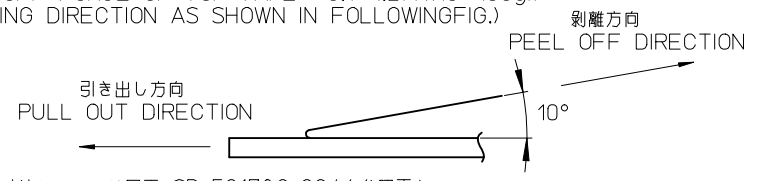


**NOTES**

- 梱包数量：900 個ノリール  
NUMBER OF CONNECTORS:900 PCS/REEL
- リードテープ長さ  
LEAD TAPE LENGTH



- トップテープの剥離強度：0.1~1.27N(10~130gf)  
(剥離方向は下図参照)  
剥離速度：300mm/MIN.(参考)  
PEEL-OFF FORCE OF TOP TAPE : 0.1~1.27N(10~130gf)  
(PEELING DIRECTION AS SHOWN IN FOLLOWINGFIG.)



- 製品詳細寸法については図面 SD-501786-004を参照下さい。  
RE DETAILED DIMENSION, SEE SD-501786-004.
- 材料(MATERIAL)  
キャリアテープ(CARRIER TAPE)：ポリスチレン(POLYSTYRENE)  
トップテープ(TOP TAPE)：PET, PE, PE  
リール(REEL)：ポリスチレン(POLYSTYRENE)<リサイクル材を含む>  
<RECYCLE MATERILAL CONTAINED>

501786-\*\*80 MODEL NO.

|   |                                       |                             |                            |  |  |                        |                        |
|---|---------------------------------------|-----------------------------|----------------------------|--|--|------------------------|------------------------|
| REVISED<br>EC NO: J2013-0731<br>DRWN:KNAGUMO 2012/08/02<br>CHKD:KAKAHASHI 2012/08/03<br>APPR:KMORIKAWA 2013/01/07 | GENERAL TOLERANCES (UNLESS SPECIFIED) |                             | DIMENSION STYLE<br>MM ONLY |  | SCALE<br>---   | DESIGN UNITS<br>METRIC | THIRD ANGLE PROJECTION |
|   | 10 UNDER                              | ±0.2                        | DRAWN BY<br>H. IJIMA       | DATE<br>06/01/17   | TITLE<br>EMBSTP PKG FOR<br>0.5 FFC TO BOARD<br>ST TYPE         |                        |                        |
|   | 10 OVER 30 UNDER                      | ±0.25                       | CHECKED BY<br>K. TAKAHASHI | DATE<br>06/01/17   | <b>molex</b><br>DOCUMENT NO. SD-501786-005<br>SHEET NO. 1 OF 2 |                        |                        |
|   | 30 OVER                               | ±0.3                        | APPROVED BY<br>H. HIRATA   | DATE<br>06/01/17   |  |                        |                        |
| ANGULAR   | ±3 °                                  | MATERIAL NO.<br>501786-**80 |                            | DRAFT WHERE APPLICABLE<br>MUST REMAIN<br>WITHIN DIMENSIONS   |  |                        |                        |
| A   | REV                                   | SIZE<br>A3                  |                            | THIS DRAWING CONTAINS INFORMATION THAT IS PROPRIETARY TO MOLEX<br>INCORPORATED AND SHOULD NOT BE USED WITHOUT WRITTEN PERMISSION |  |                        |                        |

10 9 8 7 6 5 4 3 2 1

F

E

D

C

B

A

F

E

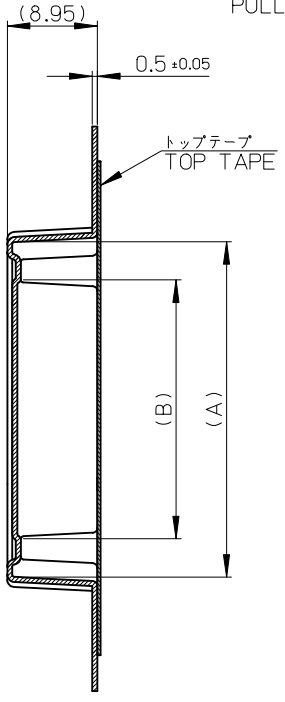
D

C

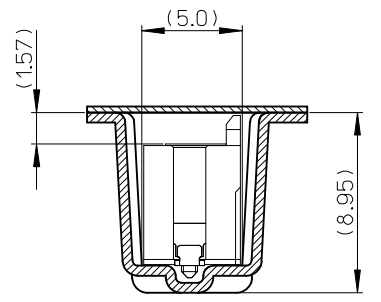
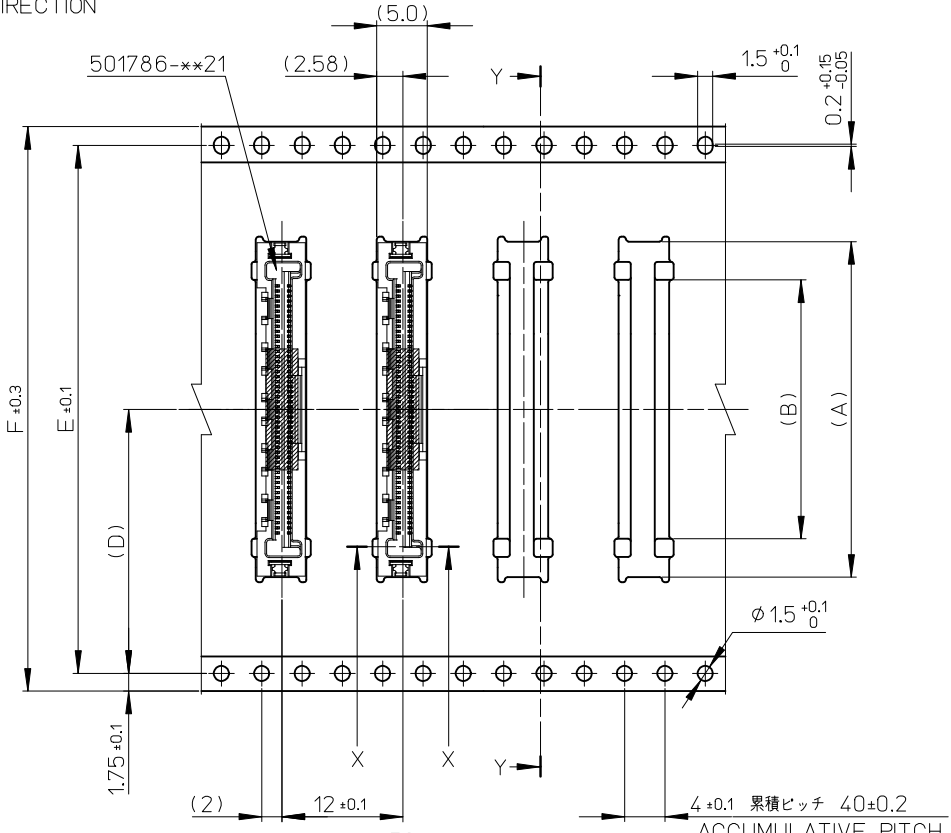
B

A

引き出し方向  
PULL OUT DIRECTION



SECT. Y-Y



SECT. X-X

56mm幅キャリアテープ  
56mm WIDTH CARRIER TAPE

|                                |      |      |      |      |       |      |                      |           |
|--------------------------------|------|------|------|------|-------|------|----------------------|-----------|
| 56                             | 56.0 | 52.4 | 26.2 | 57.4 | 25.68 | 33.3 | 501786-5080          | 50        |
| 44                             | 44.0 | 40.4 | 20.2 | 45.4 | 20.68 | 28.3 | 501786-4080          | 40        |
|                                |      |      |      |      | 15.68 | 23.3 | 501786-3080          | 30        |
| キャリアテープ幅<br>CARRIER TAPE WIDTH | F    | E    | D    | C    | B     | A    | 製品番号<br>MATERIAL NO. | 極数<br>CKT |

|  |                                       |                             |                            |   |  |                        |                        |  |
|--|---------------------------------------|-----------------------------|----------------------------|---|--|------------------------|------------------------|--|
| SEE SHEET 1 OF 2<br>EC NO: J2013-0731<br>DRWN:KNAGUMO 2012/08/02<br>CHKD:KAKAHASHI 2012/08/03<br>APPR:KMORIKAWA 2013/01/07 | GENERAL TOLERANCES (UNLESS SPECIFIED) |                             | DIMENSION STYLE<br>MM ONLY |   | SCALE<br>---   | DESIGN UNITS<br>METRIC | THIRD ANGLE PROJECTION |  |
|  | 10 UNDER                              | ± 0.2                       | DRAWN BY<br>H. IJIMA       | DATE<br>06/01/17  | TITLE<br>EMBSTP PKG FOR<br>0.5 FFC TO BOARD<br>ST TYPE<br><b>molex</b><br>DOCUMENT NO. SD-501786-005<br>SHEET NO. 2 OF 2 |                        |                        |  |
|  | 10 OVER 30 UNDER                      | ± 0.25                      | CHECKED BY<br>K. TAKAHASHI | DATE<br>06/01/17  |  |                        |                        |  |
|  | 30 OVER                               | ± 0.3                       | APPROVED BY<br>H. HIRATA   | DATE<br>06/01/17  |  |                        |                        |  |
| ANGULAR  | ± 3 °                                 | MATERIAL NO.<br>501786-**80 |                            |   |  |                        |                        |  |
| DRAFT WHERE APPLICABLE MUST REMAIN WITHIN DIMENSIONS   |                                       | SIZE<br>A3                  |                            | THIS DRAWING CONTAINS INFORMATION THAT IS PROPRIETARY TO MOLEX INCORPORATED AND SHOULD NOT BE USED WITHOUT WRITTEN PERMISSION |  |                        |                        |  |

9 8 7 6 5 4 3 2