



FFC Harness for High-speed Transmission

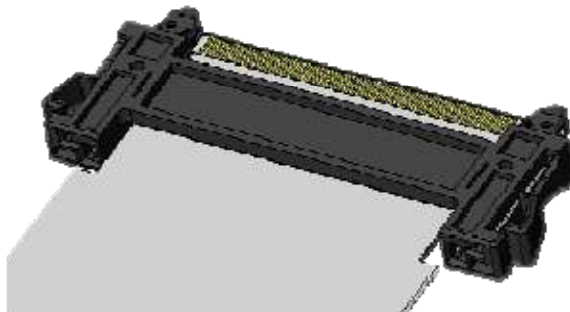
CONNECTOR

MB-0251-1

October 2012

J F08 Series

RoHS Compliant



Recently there has been increasing demand for high-speed and high-capacity transmission in devices as they become higher in performance. The J F08 Series connector harness is excellent at carrying high-speed serial transmission such as LVDS and PCI-Express, and it is also ideally suited for the next generation high-speed interface, V-by-One®HS.

*V-by-One®HS is the trademark of THine Electronics, Inc.

Features

- Can mate with FI-R Series connectors
- Strong mechanical lock
- Easy operability with ample mating guides and large side lock buttons
- Ideally suited for the next generation high-speed transmission, V-by-One®HS
- EMI control with shield layer on the FFC and metal shell on the connector

General Specification

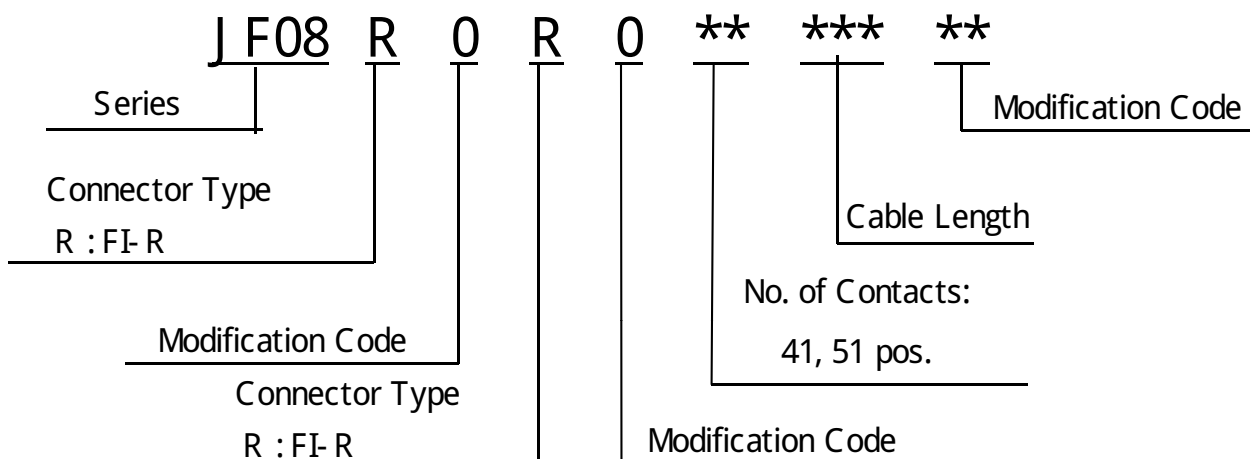
- Number of Contacts : 41, 51 positions
- Rated Current : AC, DC each 0.3 Amps/contact
- Contact Resistance : Maximum 40M ohm
- Insulation Resistance : Minimum of 100M ohm
- Dielectric Withstanding Voltage : AC250Vr.ms per minute
- Pitch : 0.5mm
- Operating Temperature : -40°C ~ +80°C
- Impedance Connector: 100 ohm \pm 15%
FFC: 100 ohm \pm 10%

Materials and Finishes

Component	Material / Finishes
FFC	One-side shield FFC / Au plating (Signal wire : Copper Shield : Aluminum / Copper Insulation: PET)
Shell	Copper alloy/ Sn plating
Insulator	Heat resistant plastic / None
Lock Spring	Stainless steel / None

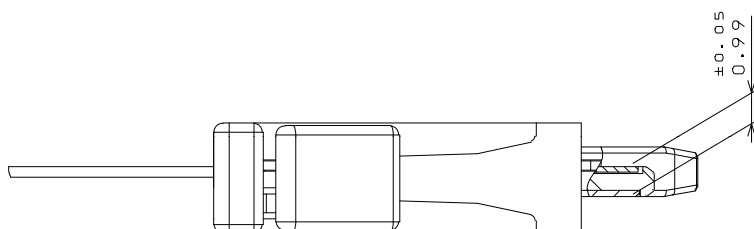
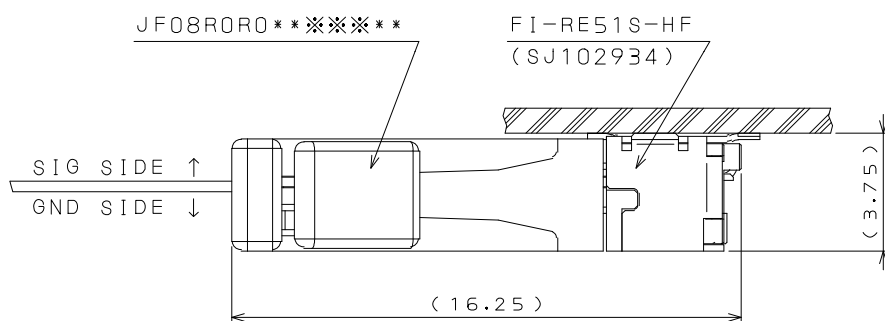
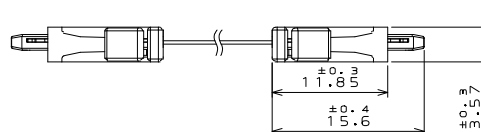
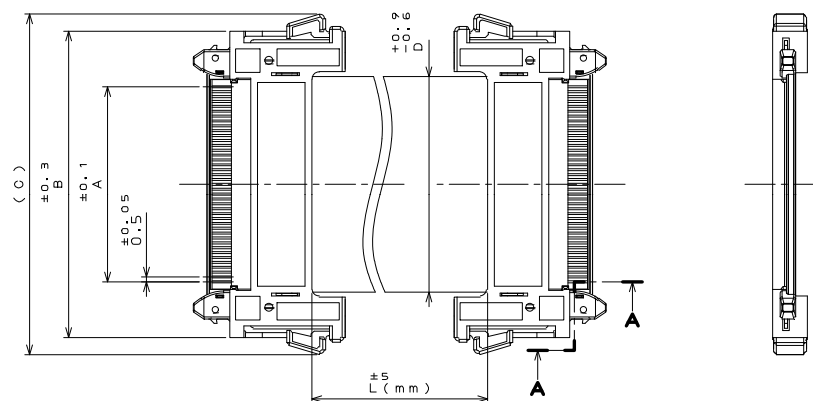
Ordering Information

*FI- R Type



*Connectors are not sold individually.

Part Number	SJ Drawing	Remarks
J F08R0R041***MA	SJ 110607	41 pos / Aluminum Shield
J F08R0R051***MA	SJ 110607	51 pos / Aluminum Shield



Dimensions

Unit :mm

No. OF CONTACT	A ^{±0.1}	B ^{±0.3}	(C)	D ^{+0.9 -0.6}
41	20	31.4	35	22.1
51	25	36.4	40	27.1

Product Line- up

No. of Contacts	FFC Length	Part Number
41	10cm	J F08R0R041010MA
	20cm	J F08R0R041020MA
	30cm	J F08R0R041030MA
	40cm	J F08R0R041040MA
	50cm	J F08R0R041050MA
	80cm	J F08R0R041080MA
	100cm	J F08R0R041100MA

No. of Contacts	FFC Length	Part Number
51	10cm	J F08R0R051010MA
	20cm	J F08R0R051020MA
	30cm	J F08R0R051030MA
	40cm	J F08R0R051040MA
	50cm	J F08R0R051050MA
	80cm	J F08R0R051080MA
	100cm	J F08R0R051100MA

Note: Above shows the standard lengths.

Please contact us concerning lengths not listed.

Notice: Products shown in this brochure are made for the applications listed below. However, if the above-mentioned products are to be used in aerospace devices, marine cable-connection devices, atomic power control systems, medical equipment for life-support systems, or any other specific application requiring extremely high reliability, please contact JAE for further information.

Recommended applications: Computers, Office machines, Measuring devices, Telecommunication devices (Terminals, Mobile devices), AV devices, Household applications, FA devices, etc.

Japan Aviation Electronics Industry, Limited

Product Marketing Division

Aobadai Building, 3-1-19, Aobadai, Meguro-ku, Tokyo 153-8539

Phone: +81-3-3780-2787 FAX: +81-3-3780-2946

* The specifications in this brochure are subject to change without notice. Please contact JAE for information.