

ACTIVE 3X FREQUENCY MULTIPLIER (CONT.)

MODEL: SYS3X3550WG

FEATURES

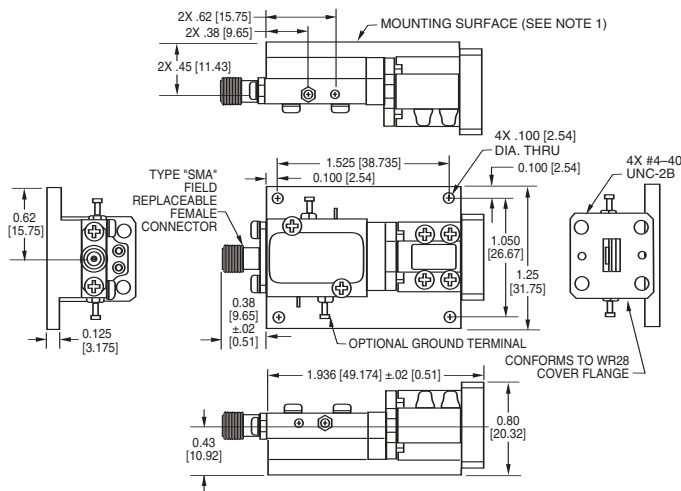
- High fundamental rejection..... -90 dBc
- Output power..... +14.5 dBm
- Packaging Hermetically sealed

ELECTRICAL SPECIFICATIONS

INPUT PARAMETERS	CONDITION	UNITS	MIN.	TYP.	MAX.
RF frequency range		GHz	11.8		11.9
RF VSWR	50 ohm reference	Ratio		2:1	
RF power range		dBm	+13		
V+ bias voltage	@ 300 mA max.	VDC		15	
V- bias voltage	@ 20 mA max.	VDC		-15	
TRANSFER CHARACTERISTICS	CONDITION	UNITS	MIN.	TYP.	MAX.
Output power		dBm	+14.5		
Fundamental leakage	Input	dBc		-90	
Second-harmonic leakage	Input	dBc		-65	-55
OUTPUT PARAMETERS	CONDITION	UNITS	MIN.	TYP.	MAX.
RF frequency range		GHz	35.4		35.7
RF VSWR	50 ohm reference	Ratio		2:1	

NOTE: Test data supplied at 25°C;
leakage at 1X and 2X output power.

OUTLINE DRAWING



- NOTES: 1. Unit's mounting surface shall be attached to a heatsink capable of dissipating the devices power consumption without exceeding the operating temperature limits.
2. All dimensions shown in brackets [] are in millimeters.

MAXIMUM RATINGS

Specification temperature..... +25°C
Operating temperature -40 to +65°C
Storage temperature..... -65 to +95°C

ADD SUFFIX TO MODEL NO.

S

OPTION

Single positive supply

