

### Sensitivity Wavelength Range: 800nm~2600nm

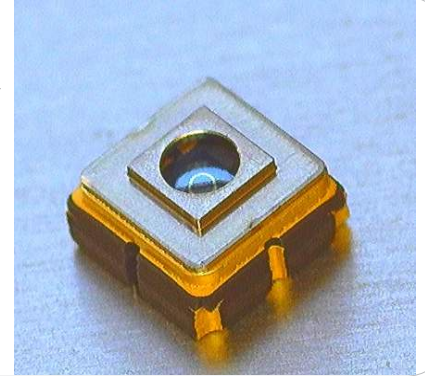
The MTSM2601SMF1-030 from Marktech, a high sensitivity and high reliability product series, is ideally suited for Optical Communication devices. Custom packaging options for this die is also available.

**FEATURES**

- > High Speed Response
- > 3mm x 3mm Seam Welded Surface Mount Package
- > Active Area of 0.3mm  $\Phi$  / High Sensitivity
- > Spectral Range 800nm - 2600nm
- > **Hermetically Sealed**

**APPLICATIONS**

- > High Speed Optical Communications
- > Industrial Controls
- > Gas/Water Analysis
- > LIDAR
- > Medical



### Absolute Maximum Ratings (Ta=25°C)

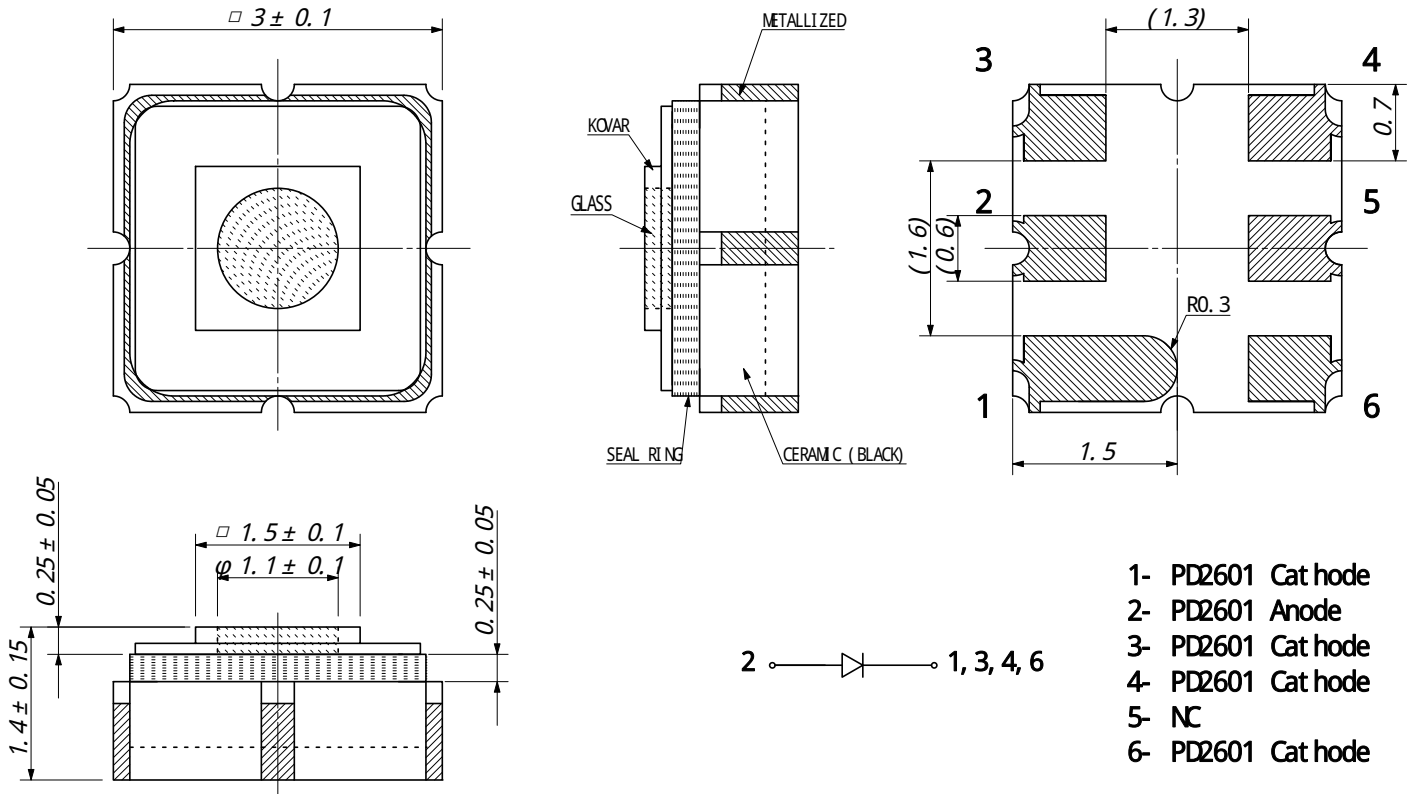
ITEMS	SYMBOL	RATINGS	UNIT
Active Area	$\Phi$	0.3	mm
Operating Temperature Range	Topr	-40 to +85	°C
Storage Temperature Range	Tstg	-40 to +125	°C



### Electrical & Optical Characteristics (Ta = 25°C)

ITEMS	SYMBOL	CONDITIONS	MIN	TYP	MAX	UNIT
Breakdown Voltage	VR	IR= 100uA	--	--	1	V
Sensitivity Range	$\lambda$	VR=0V	800	--	2600	nm
Dark Current	ID	VR=0V	--	1	--	nA
Dark Current	ID	VR=1V	--	43	--	uA
Capacitance	C	VR=0V	--	150	--	pF
Capacitance	C	VR=1V	--	20	--	pF
Responsivity	R	$\lambda$ =2400nm	--	1.24	--	A/W
Shunt Resistance	RS	VR=10mV	--	9	--	kOhm
Quantum Efficiency	QE	$\lambda$ =1840nm	--	72	--	%
Light Current @ $\lambda$ =1300nm	IL	If=10mA	--	25	--	$\mu$ A
Light Current @ $\lambda$ =1300nm	IL	If=20mA	--	50	--	$\mu$ A

Package Dimensions



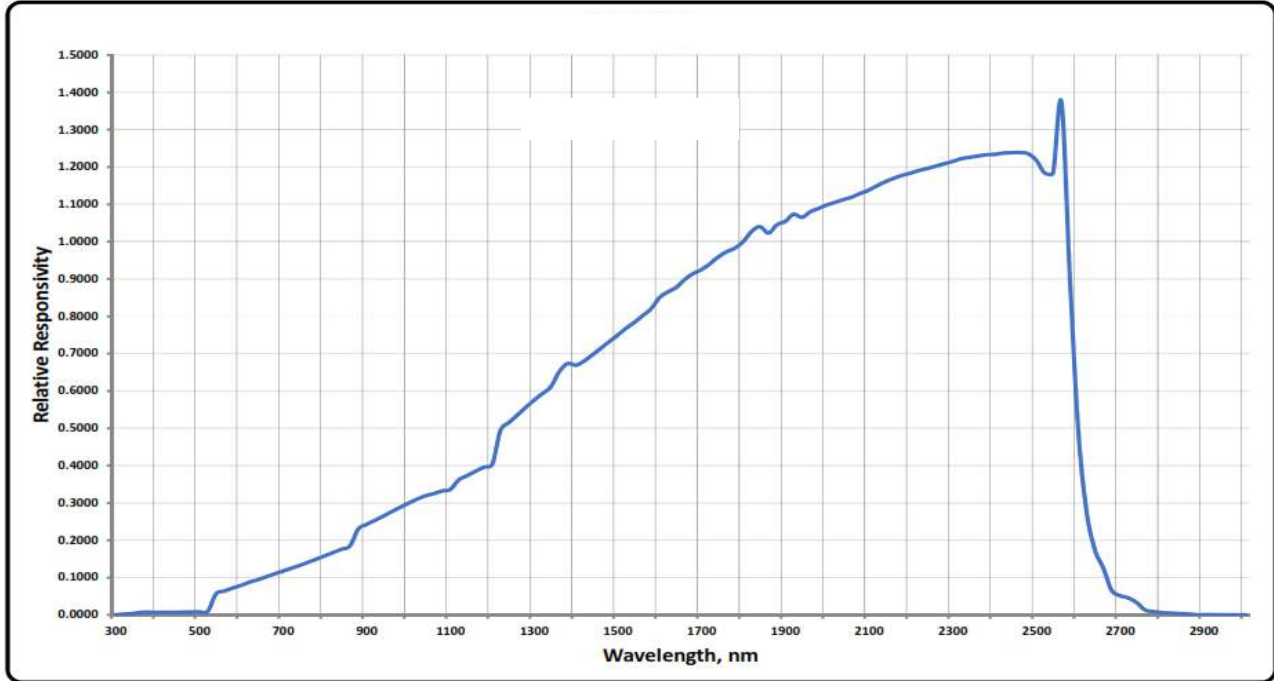
- 1- PD2601 Cat hode
- 2- PD2601 Anode
- 3- PD2601 Cat hode
- 4- PD2601 Cat hode
- 5- NC
- 6- PD2601 Cat hode

Unit: mm, Tolerance: ±0.2

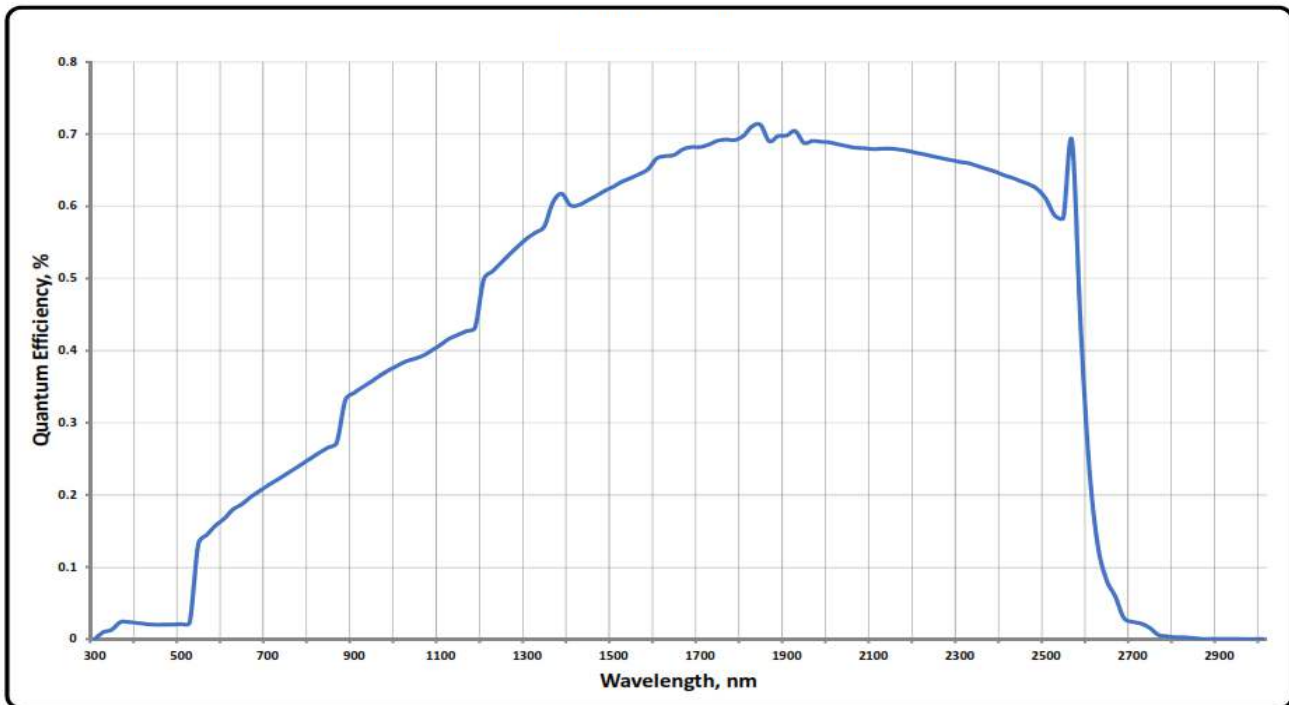
The information contained herein is subject to change without notice.

2022-12-8

### Spectral Responsivity

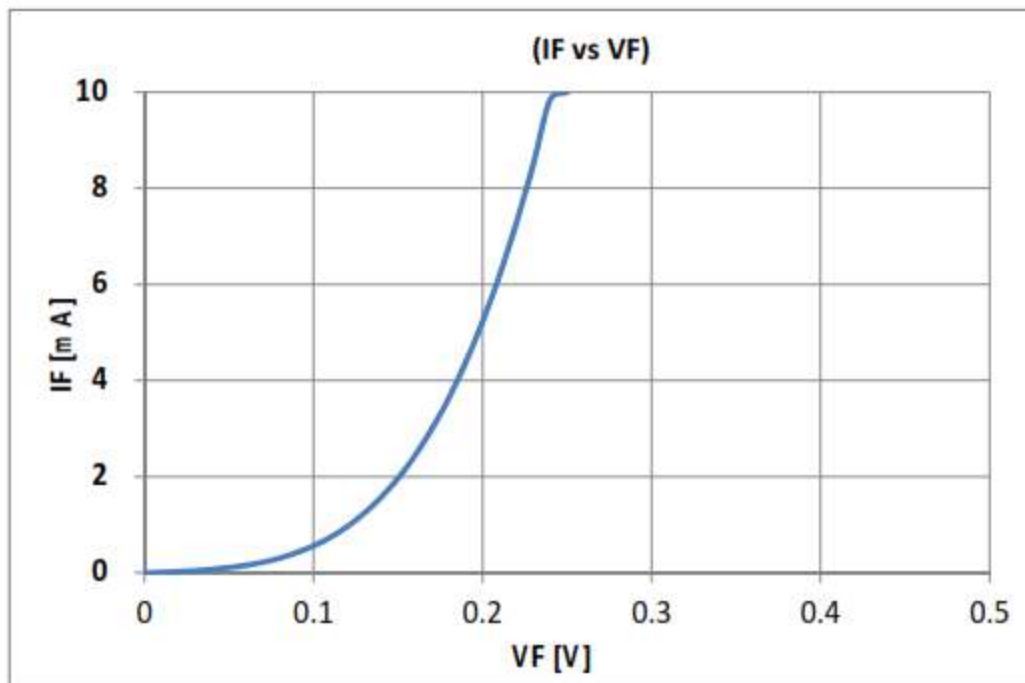
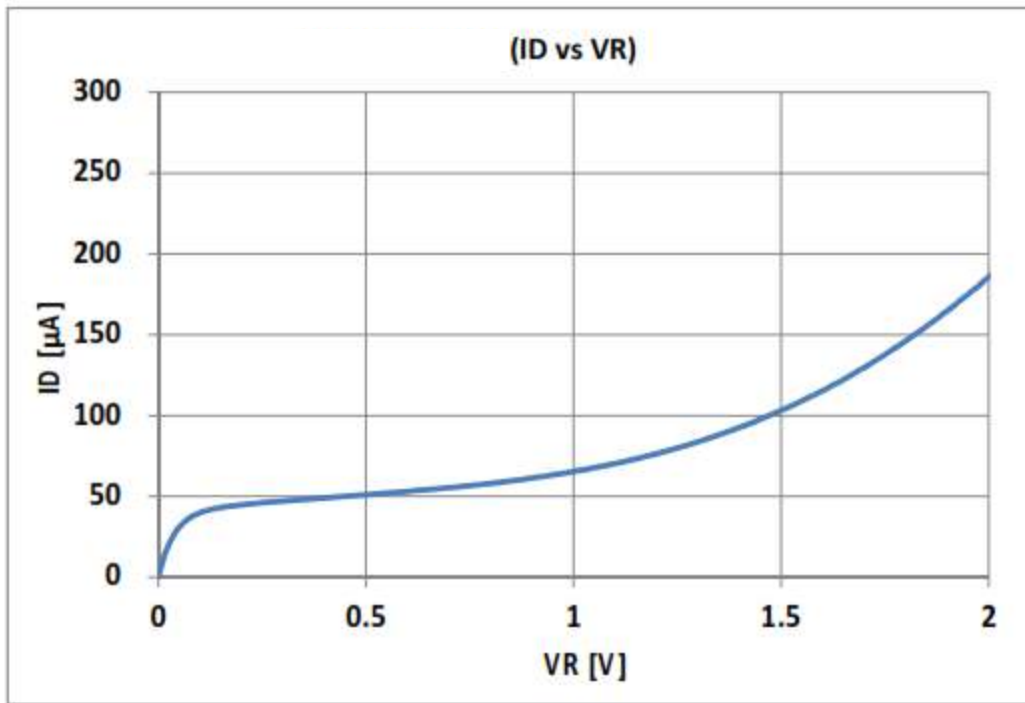


### Quantum Efficiency



The information contained herein is subject to change without notice.

2022-12-8



The information contained herein is subject to change without notice.

2022-12-8