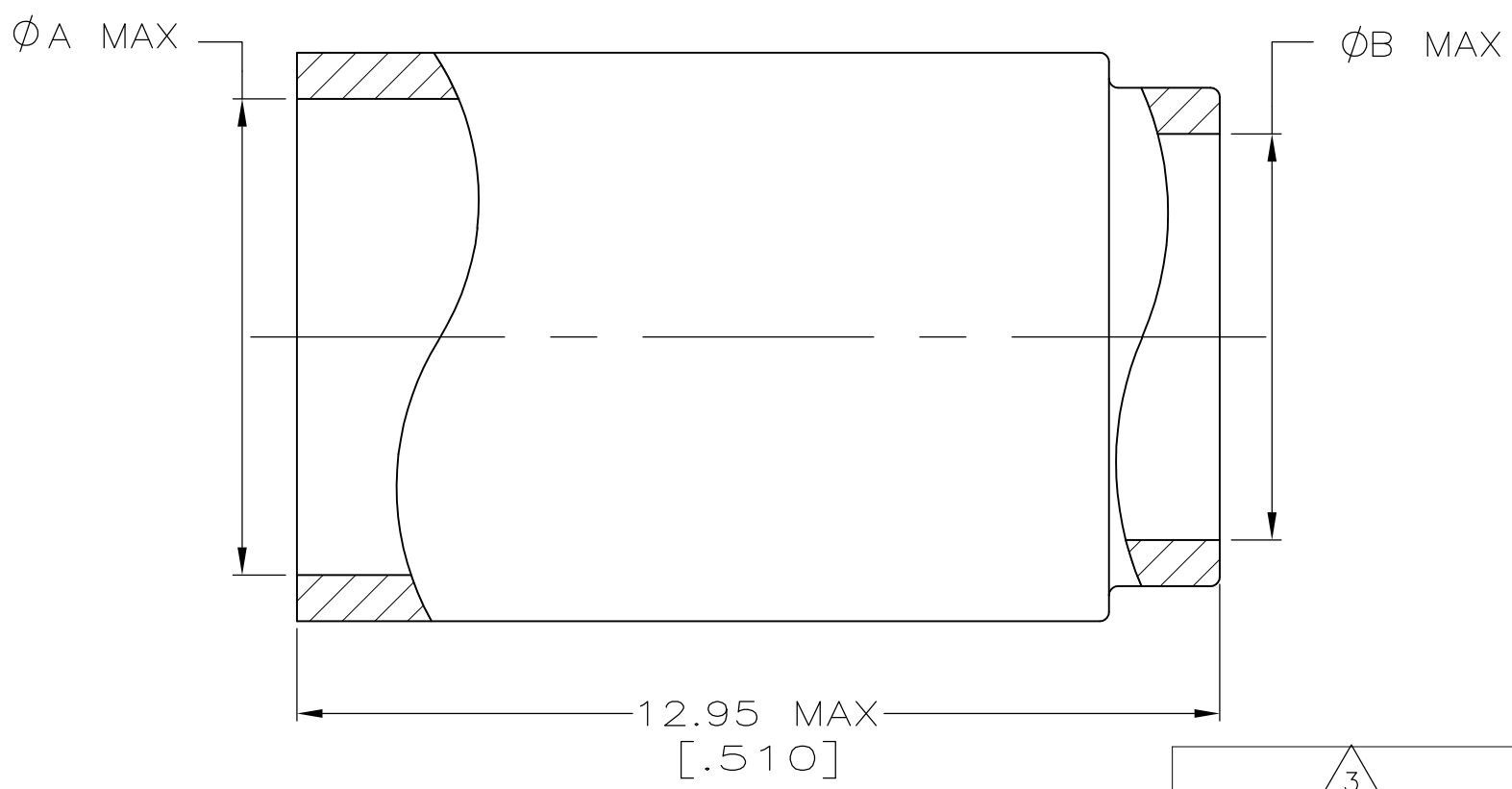


THIS DRAWING IS UNPUBLISHED. RELEASED FOR PUBLICATION
 © COPYRIGHT BY TYCO ELECTRONICS CORPORATION. ALL RIGHTS RESERVED.

LOC	DIST	REVISIONS					
AJ	16	P	LTR	DESCRIPTION	DATE	DWN	APVD
			K	REVISED PER ECO-10-008433	22MAY10	HMR	KW



- 1. COPPER ALLOY
- △2 TIN-LEAD PLATE PER ASTM-B-545, 2.54 μm [.000100] MIN THICKNESS, WITH SUPPLEMENTAL ANTI FRETTING LUBRICANT.
- △3 TIN PLATE PER ASTM-B-545, 2.54 μm [.000100] MIN THICKNESS, WITH SUPPLEMENTAL ANTI FRETTING LUBRICANT.

△3	5.64 [.222]	6.60 [.260]	9-413658-3
△3	3.45 [.136]	4.52 [.178]	9-413658-2
△3	3.99 [.157]	4.52 [.178]	9-413658-1
△3	3.10 [.122]	4.52 [.178]	9-413658-0
△2	3.48 [.137]	4.72 [.186]	1-413658-5
△2	3.99 [.157]	4.52 [.178]	1-413658-2
△2	3.10 [.122]	4.52 [.178]	413658-9
△2	3.45 [.136]	4.52 [.178]	413658-6
△2	5.64 [.222]	6.60 [.260]	413658-3
FINISH NOTE	B	A	PART NUMBER

THIS DRAWING IS A CONTROLLED DOCUMENT.		DWN MICHAEL E. COWHER 29SEP95	Tyco Electronics Corporation Harrisburg, Pa 17105-3608	
DIMENSIONS: mm		CHK MICHAEL J. PHILLIPS 29SEP95	NAME FERRULE	
TOLERANCES UNLESS OTHERWISE SPECIFIED:		APVD MICHAEL J. PHILLIPS 29SEP95	SIZE A3	
0 PLC ± -		PRODUCT SPEC	CAGE CODE 00779	DRAWING NO C-413658
1 PLC ± -		APPLICATION SPEC	RESTRICTED TO	
2 PLC ± -		WEIGHT	SCALE 10:1	SHEET 1 OF 1
3 PLC ± -			REV K	
4 PLC ± -				
ANGLES ± -				
MATERIAL SEE NOTES	FINISH SEE NOTES	CUSTOMER DRAWING		