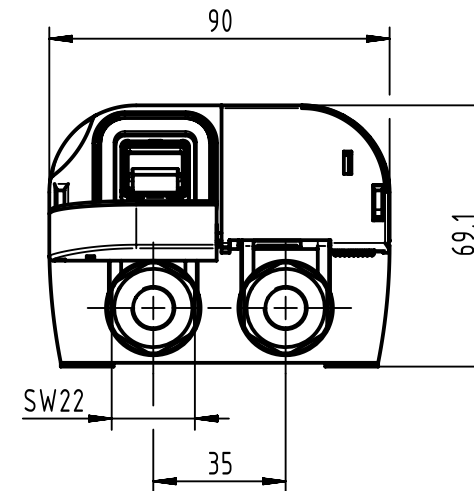
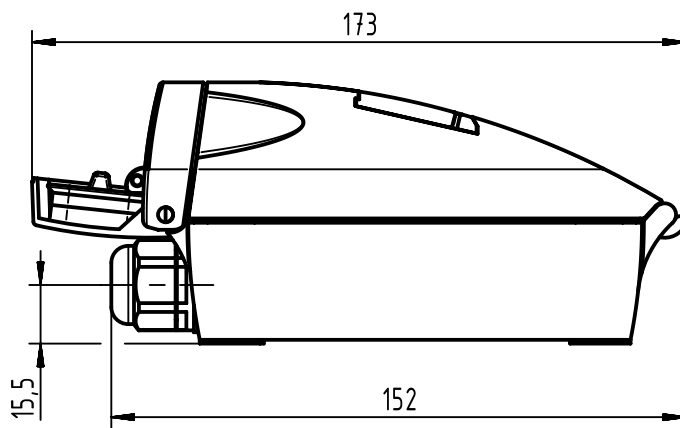
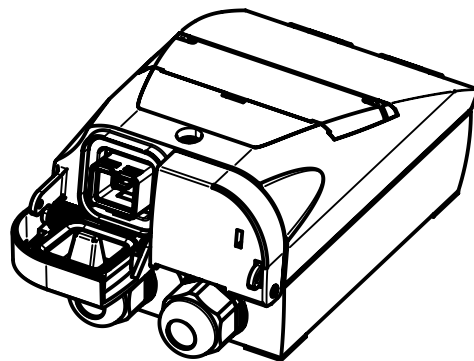



Included in delivery:

1. 2x RJ45 jack
2. 1x assembly instruction
3. drilling template
4. blind grommet



For cable diameter 6-9mm, AWG 22-24



	All Dimensions in mm Original Size DIN A4		Scale 1:2	Free size tol.		Ref.	
	All rights reserved Department EC PD - RO		Created by TAMAS	Inspected by AVRAM	Standardisation KÖHLER	Date 2015-02-11	State Final Release
HARTING Electronics GmbH D-32339 Espelkamp		Title RJ Industrial PushPull Outlet				Doc-Key / ECM-Nr. 100198441/UGD/002/B 500000084913	
		Type TB	Number 09458451501			Rev. B	Page 1/1