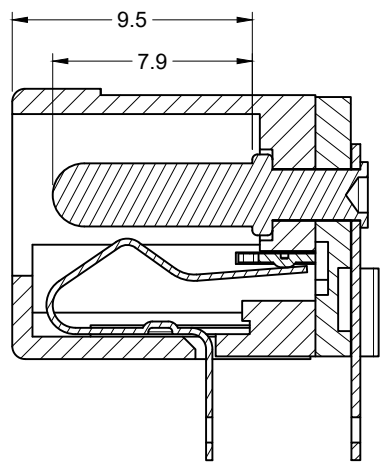
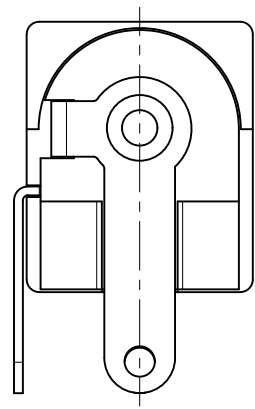
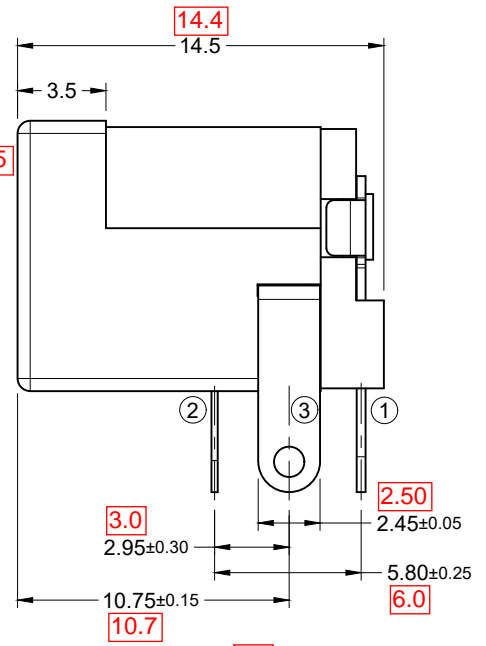
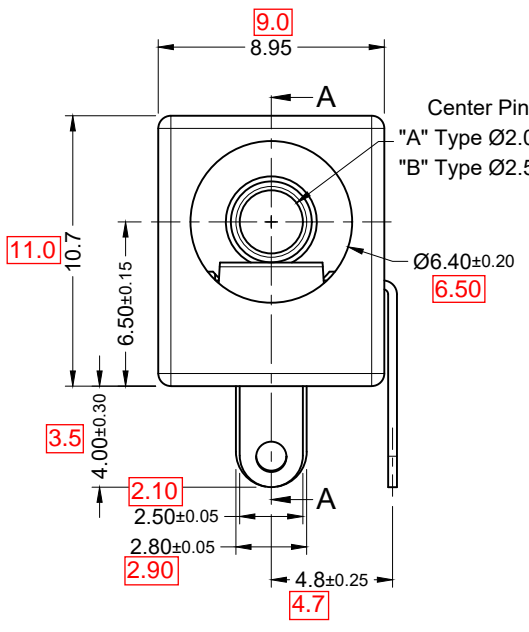
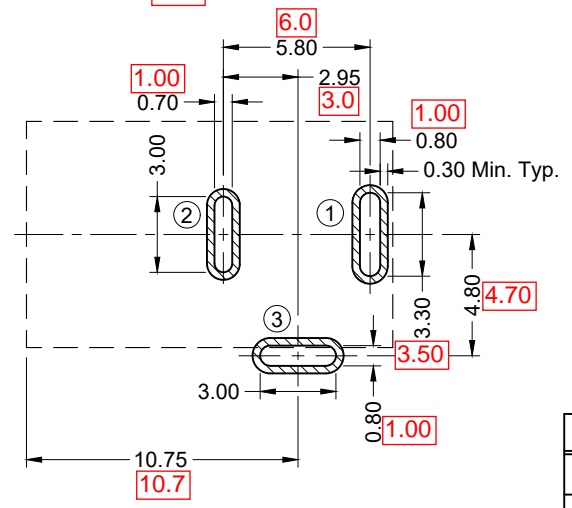


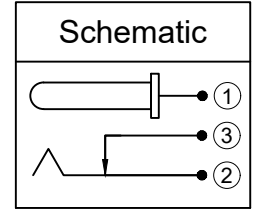
COMPARED TO KLDX-0202-xHT



Section A-A



Recommended PCB Layout (Top View) Ref. Tol. ± 0.05



Part Number	Center Pin Dia.
KLDX-0202-AHT-1	Ø2.0 ⁺⁰ _{-0.1}
KLDX-0202-BHT-1	Ø2.5 ⁺⁰ _{-0.1}

Materials and Finish

Housing: High Temperature Thermoplastic, UL 94V-0 Rated, Black Color
 Contact Material:
 Center Pin: Copper Alloy, Nickel Plated
 Contact/Leads: Copper Alloy, Silver Plated

Electrical Characteristics

Rated Current: 5A **3.5A**
 Rated Voltage: 20V DC **24V**
 Insulation Resistance:
 100 Megohms Min. at 500V DC
 Contact Resistance:
 50 Milliohms Max. (Initial)
 100 Milliohms Max. (After Durability)
 Dielectric Withstanding Voltage:
 500V AC RMS for 1 Minute

Mechanical Characteristics

Insertion Force: 0.3 Kg **-3.0** Kg **2.0**
 Withdrawal Force: 0.3 Kg **-3.0** Kg **2.0**
 Durability: 5,000 Mating Cycles Min.
 Operating Temperature:
 -25°C to +85°C

PRELIMINARY
 PART IN DESIGN
 SPECIFICATION SUBJECT TO CHANGE

RoHS COMPLIANT

Tolerances	
0.35	X.X ± 0.30
0.25	X.XX ± 0.20
	Unless Stated Otherwise

REV.	DATE	DESCRIPTION	REV. BY	CHK. BY	DRAWN BY	DATE
A0	11/03/22	New Drawing	C. Kelleher	C. Furumasu	C. Kelleher	11/03/22
A0.1	01/06/23	Update Part Info	C. Kelleher	C. Furumasu		

KLDX-0202-xHT-1
 Where "x" = Center Pin Dia. Option

DC Power Jack, Ø 2.0-2.5mm Pin, RoHS Compliant
 High Temperature Plastic for Reflow Compatibility

