

MATERIALS AND FINISHES:

BODY: BERYLLIUM COPPER

- OPTION 1:**
 PLATED GOLD (30μ-in MIN)
 OVER NICKEL (100μ-in MIN)
- OPTION 2:**
 PLATED GOLD (10μ-in MIN)
 OVER NICKEL (100μ-in MIN)
- OPTION 3:**
 PLATED GOLD (8μ-in MIN)
 OVER NICKEL PHOSPHOR (80μ-in MIN)
 OVER COPPER (20μ-in MIN)

CONTACT: BERYLLIUM COPPER

- OPTION 1:**
 PLATED GOLD (30μ-in MIN)
 OVER NICKEL (100μ-in MIN)
- OPTION 3:**
 PLATED GOLD (8μ-in MIN)
 OVER NICKEL PHOSPHOR (80μ-in MIN)
 OVER COPPER (20μ-in MIN)

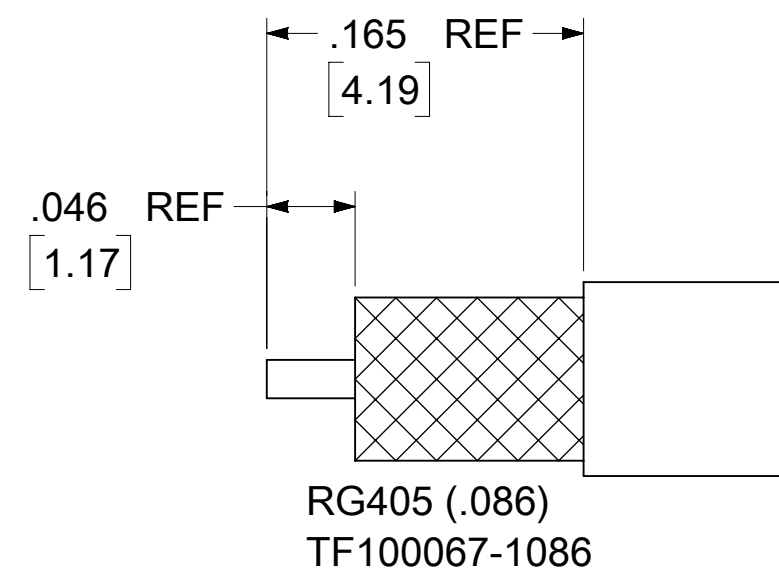
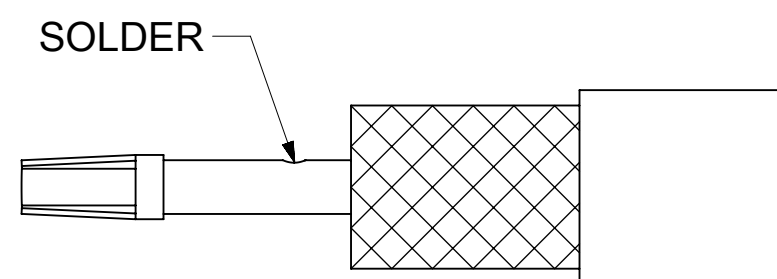
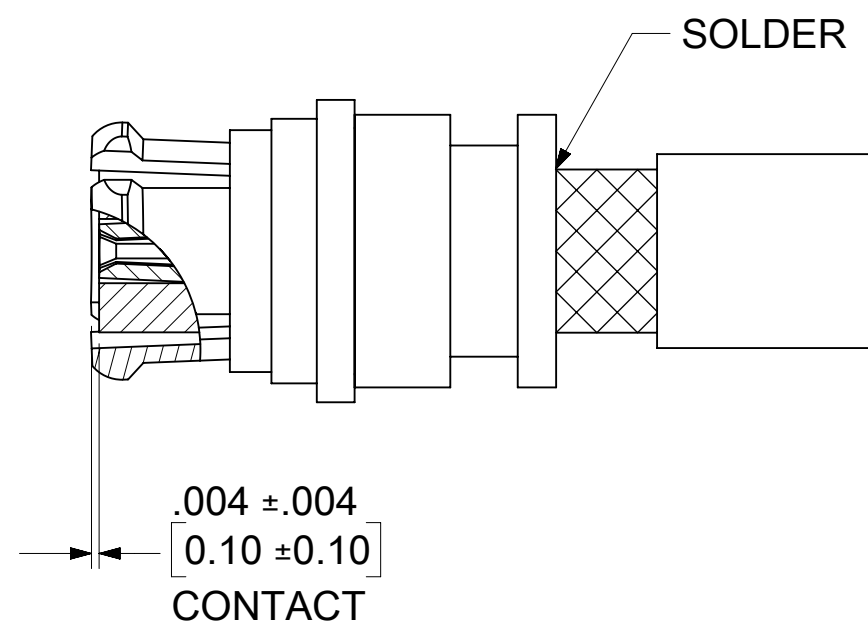
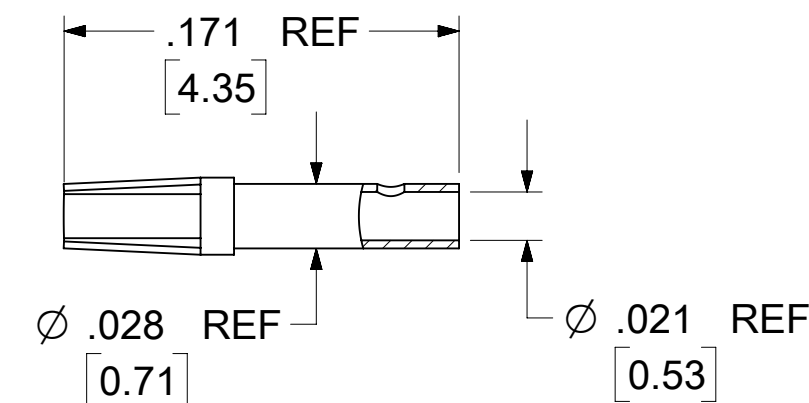
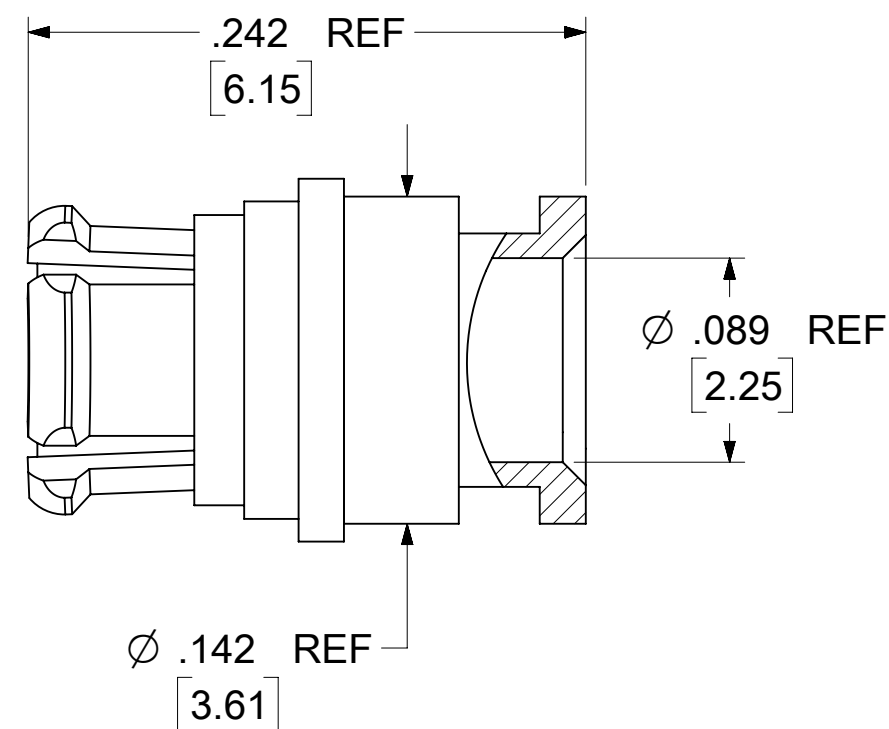
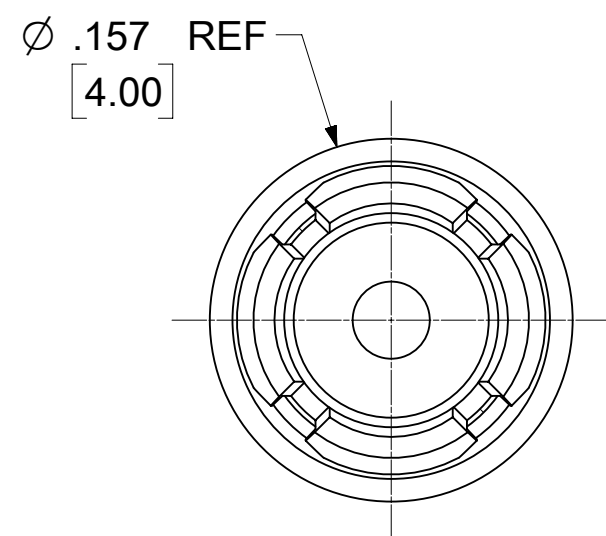
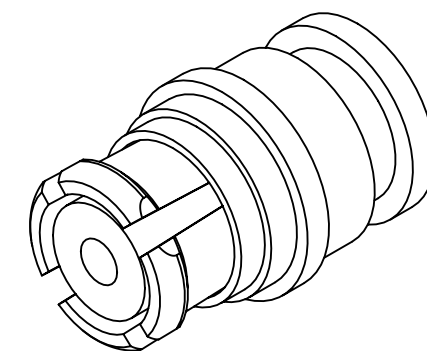
INSULATOR: PTFE

EMI RING: BRASS

- OPTION 1:**
 PLATED GOLD (30μ-in MIN)
 OVER NICKEL (100μ-in MIN)
- OPTION 3:**
 PLATED GOLD (8μ-in MIN)
 OVER NICKEL PHOSPHOR (80μ-in MIN)
 OVER COPPER (20μ-in MIN)

ELECTRICAL CHARACTERISTICS:

NOMINAL IMPEDANCE: 50Ω
FREQUENCY RANGE: DC - 26.5 GHz
VSWR: 1.20 MAX DC - 15.0 GHz
 1.50 MAX 15.0 GHz - 26.5 GHz



RG405 (.086)
 TF100067-1086
RECOMMENDED STRIP DIMENSIONS

LABEL FORMAT FOR 73415-3741

PART NUMBER: 73415-3740
 ORDER NUMBER: 73415-3741
 MOLEX
 DATE: YYWW

LABEL FORMAT FOR 73415-3744

PART NUMBER: 73415-3743
 ORDER NUMBER: 73415-3744
 MOLEX
 DATE: YYWW

73415-3744	OPTION 3	OPTION 3	OPTION 3	73415-3743 ONE PER BAG	895420470
73415-3743				73415-3743 TRAY	895420040
73415-3742	OPTION 2			73415-3742 TRAY	
73415-3741	OPTION 1	OPTION 1	OPTION 1	73415-3740 ONE PER BAG	895420500
73415-3740				73415-3740 TRAY	895420040
PART NO.	BODY	CONTACT	EMI RING	DESCRIPTION	PACKAGING SPEC

PS-89675-3320	ELEC/MECH PERFORMANCE
MIL-STD-348B. FIG. 326.1	INTERFACE
SPECIFICATION	DESCRIPTION

DOCUMENT STATUS	P1	RELEASE DATE	2022/08/29 06:23:05
-----------------	----	--------------	---------------------

THIS DRAWING CONTAINS INFORMATION THAT IS PROPRIETARY TO MOLEX ELECTRONIC TECHNOLOGIES, LLC AND SHOULD NOT BE USED WITHOUT WRITTEN PERMISSION

DIMENSION UNITS	SCALE	CURRENT REV DESC: ADD 73415-3744 PER EWR #15321-B	molex			
INCH/MM	NTS					
GENERAL TOLERANCES (UNLESS SPECIFIED)			SMP JACK STR FOR RG405 CABLE SMP-JC EWR-1350			
ANGULAR TOL	± 2.0°	EC NO: 719077				
4 PLACES	±	DRWN: RYEH 2022/08/12				
3 PLACES	±	CHK'D: YCHENG 2022/08/29				
2 PLACES	± 0.25	APPR: YCHENG 2022/08/29	PRODUCT CUSTOMER DRAWING			
1 PLACE	±	INITIAL REVISION:	DOCUMENT NUMBER	DOC TYPE	DOC PART	REVISION
0 PLACES	±	DRWN: RFC_PLMIMP 2017/12/28	SD-73415-374	PSD	001	C4
DRAFT WHERE APPLICABLE MUST REMAIN WITHIN DIMENSIONS			APPR: JWIENER 2010/09/30	MATERIAL NUMBER	CUSTOMER	SHEET NUMBER
THIRD ANGLE PROJECTION			DRAWING	SERIES	GENERAL MARKET	1 OF 1
C-SIZE			73415	SEE TABLE		