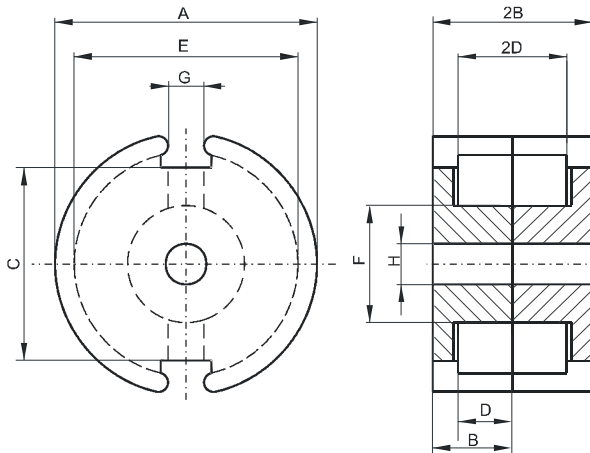


DIMENSIONS



(mm)	Nominal:	Tol. min.:	Tol. max.:
A	30.0	-0.5	+ 0.5
B	9.45	-0.05	+ 0.05
2B	18.9	-0.1	+ 0.1
C	20.5	-0.5	+ 0.5
D	6.5 Min.		
2D	13.0 Min.		
E	25.4	-0.4	+ 0.4
F	13.3	-0.2	+ 0.2
G	4.3	-0.6	+ 0.6
H	5.5	-0.1	+ 0.1
Eff. Parameters			
Ae mm²	Amin mm²	le mm	Ve mm³
137.0	116.0	45.2	6190

INDUCTANCE

AL value (nH/T²)	Test conditions
7000 ± 25%	10 kHz, < 0.5 mT, 25 °C

MARKING

No marking

LOSS FACTOR

tan δ/μ (x10⁻⁶)	Test conditions
< 6	100 kHz, < 0.25 mT, 25 °C
α_F (x10⁻⁶)	Test conditions
-0.7 to 0.7	20 °C to 40 °C
-0.7 to 0.7	40 °C to 70 °C