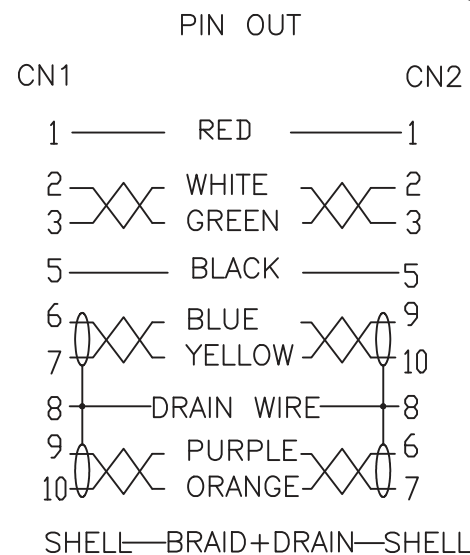
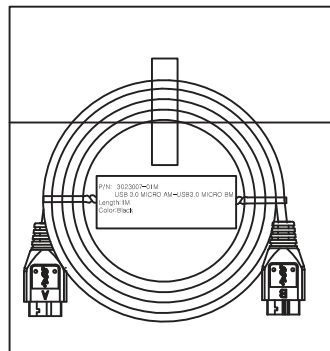
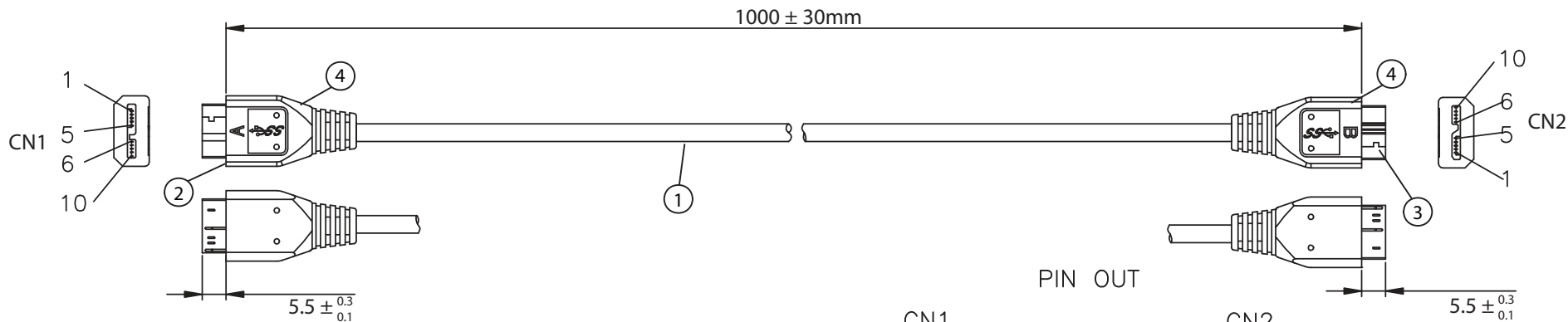


THESE DRAWINGS ARE THE PROPERTY OF QUALTEK ELECTRONICS AND NOT TO BE REPRODUCED FOR OR COMMUNICATED TO A THIRD PARTY WITHOUT THE EXPRESS WRITTEN PERMISSION OF AN OFFICER OF QUALTEK ELECTRONICS.

REVISION			
REV.	DESCRIPTION	DATE	APPROVED
B	Updated Specifications	08-12-13	LY



NOTES:

- CABLE: UL20276  
(30AWG\*1PR+EAM)\*2C+30AWG\*1PR+24AWG\*2C+AEB (AL) 65%  
OUTER JACKET: BLACK, OD: 5.5 ± 0.2mm
- CONNECTOR: MICRO USB 3.0 A TYPE MALE  
INSULATOR: BLACK  
PIN G/F  
NICKEL PLATED SHELL
- CONNECTOR: MICRO USB 3.0 B TYPE MALE  
INSULATOR: BLACK  
PIN G/F  
NICKEL PLATED SHELL
- PVC MOLDED: 45P BLACK
- ELECTRICAL TEST:  
<1>.100% OPEN SHORT & MISS WIRE TEST  
<2>.INSULATION RESISTANCE: DC300V 20M ohm MIN.  
<3>.CONDUCTOR RESISTANCE: 2 ohm MAX.

**CONTROLLED**

Dim range (mm)	Tolerance +/- (mm)	Qualtek Electronics Corp. WCI DIVISION		
		Part Number: 3023007-01M		RoHS Compliant
0-1	0.15	Description: MICRO USB 3.0 A/M - MICRO USB 3.0 B/M		
1-6	0.20			
6-18	0.30	UNIT: mm	REV.B	
18-50	0.50	Drawn / Date	Checked / Date	Approved / Date
50-120	0.70	R.Nuti 06-25-10	06-25-10	LY / 06-25-10
120-250	0.90			
250-500	1.20			