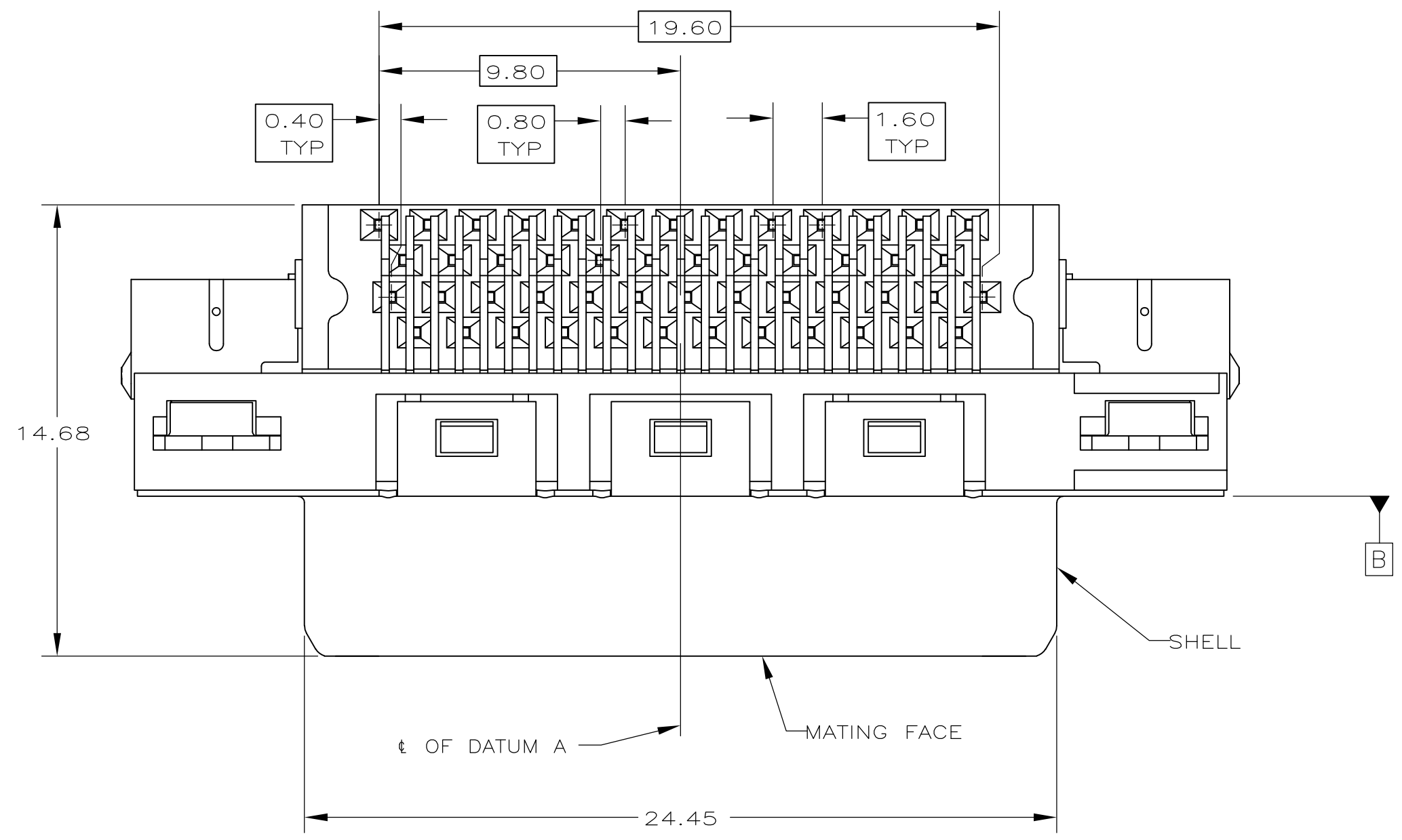
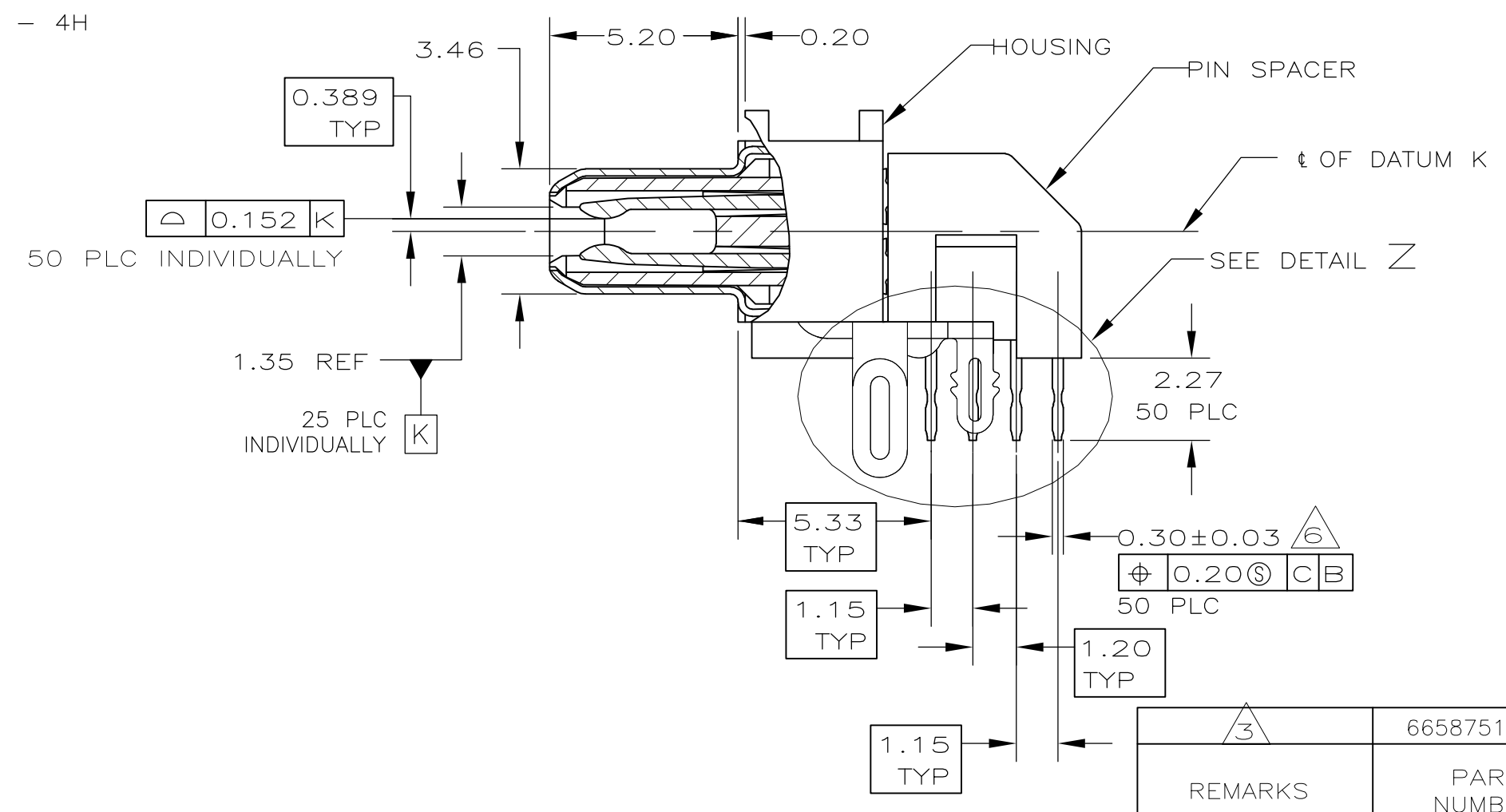
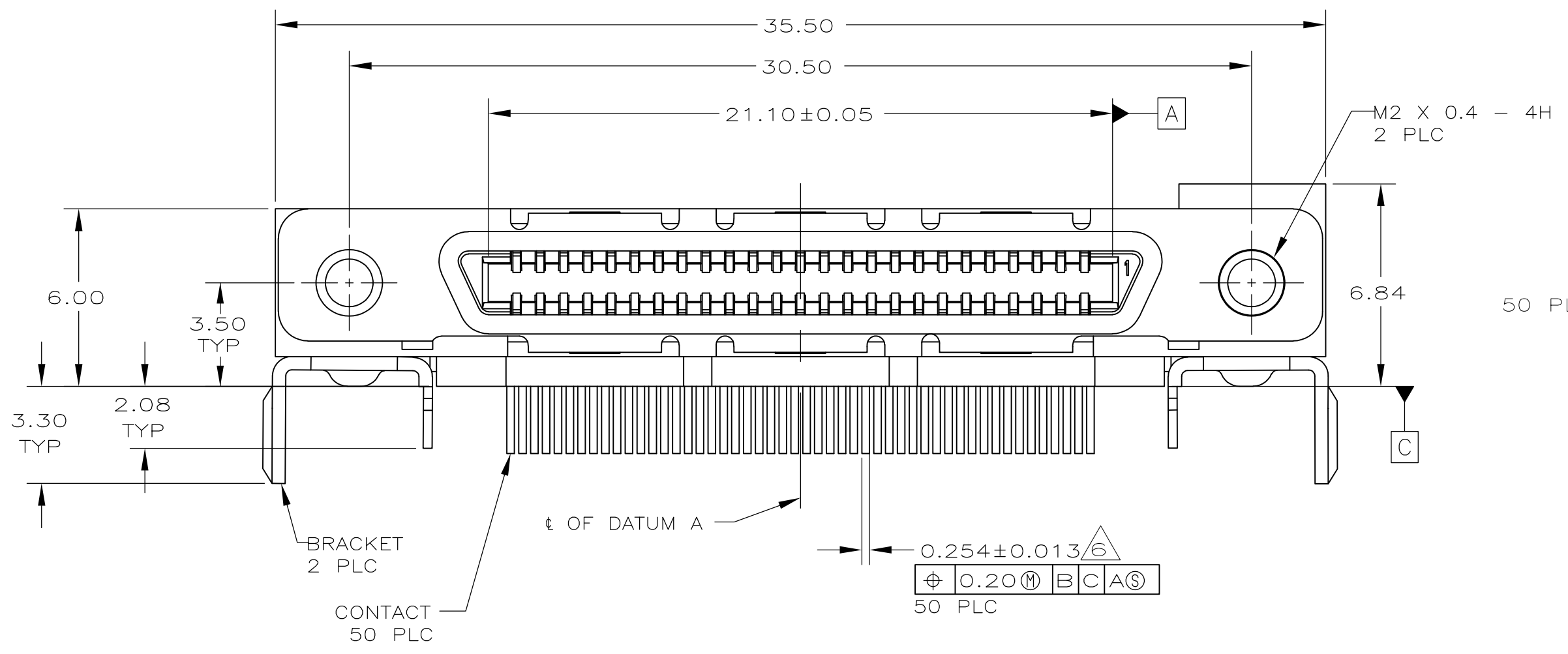


THIS DRAWING IS UNPUBLISHED. RELEASED FOR PUBLICATION  
 © COPYRIGHT - By - ALL RIGHTS RESERVED.

| LOC |     | DIST        |  | REVISIONS                 |           |      |     |
|-----|-----|-------------|--|---------------------------|-----------|------|-----|
| P   | LTR | DESCRIPTION |  | DATE                      | DWN       | APVD |     |
| GP  | 00  | B           |  | REVISED PER ECO-12-014361 | 08JAN2013 | CJV  | EDB |



- 1 HOUSING & PIN SPACER: THERMOPLASTIC, BLACK, UL 94V-0 RATED. SHELL: CARBON STEEL. CONTACTS: PHOSPHOR BRONZE. BRACKETS: STEEL.
- 2 SHELL: 5.08 μm MIN NICKEL OVER 2.54 μm MIN COPPER. CONTACTS: 0.76 μm MIN GOLD ON MATING END, 3.75 μm MIN TIN ON SOLDER TAILS, BOTH OVER 1.27 μm MIN NICKEL ON ENTIRE CONTACT. BRACKETS: TIN PLATED.
- 3 CONTACTS DESIGNED FOR USE ON 1.60±0.15 THICK PC BOARD WITH PLATED THRU MOUNTING HOLES.
- 4 RECEPTACLE ASSEMBLY DESIGNED FOR USE WITH 1.12±0.08 THICK PANEL.
- 5 DATUMS AND DIMENSIONS ESTABLISHED BY CUSTOMER.
- 6 POSITION TOLERANCE APPLIES AT CONTACT TIP ONLY.

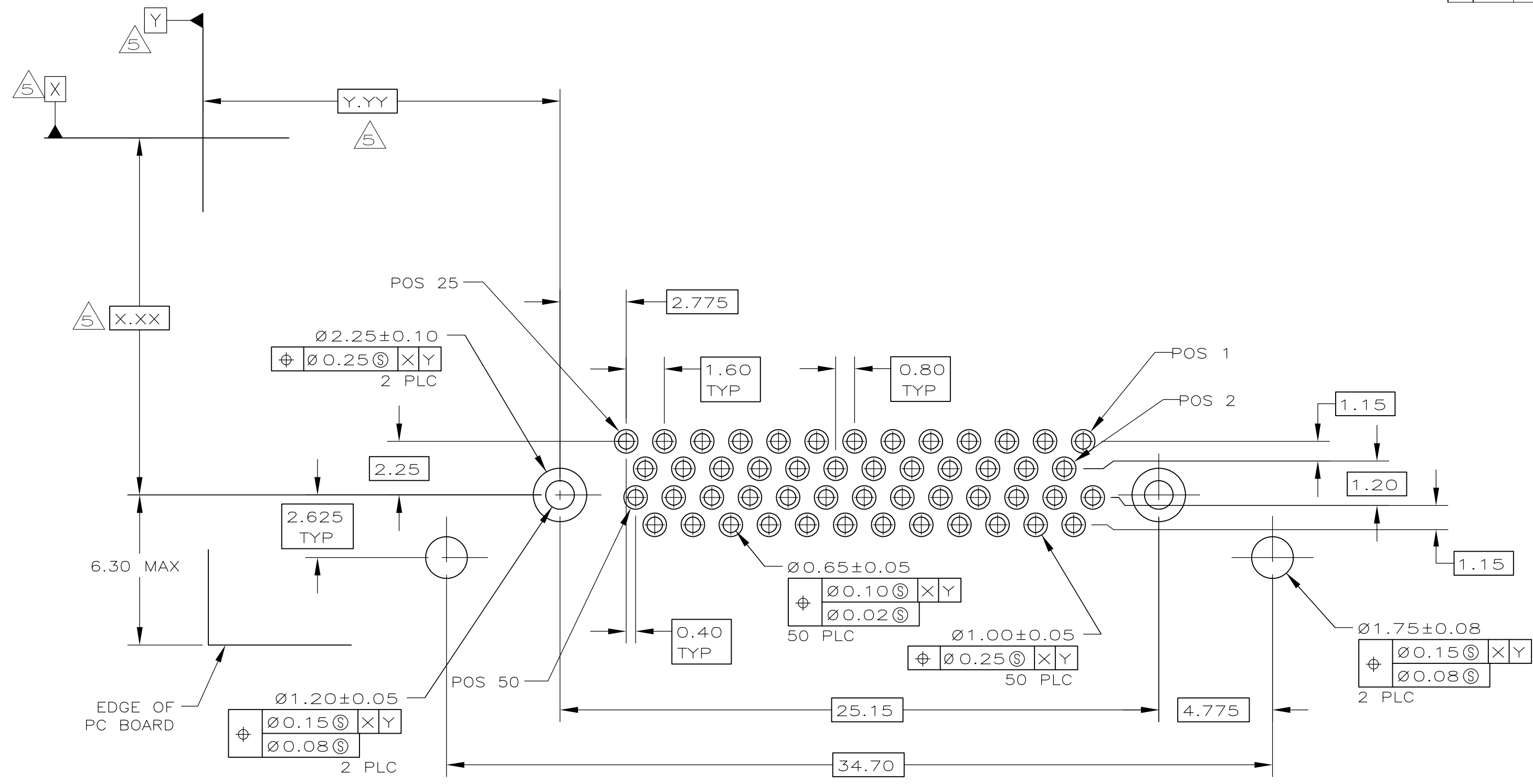


|             |           |
|-------------|-----------|
| REMARKS     | 6658751-1 |
| PART NUMBER |           |

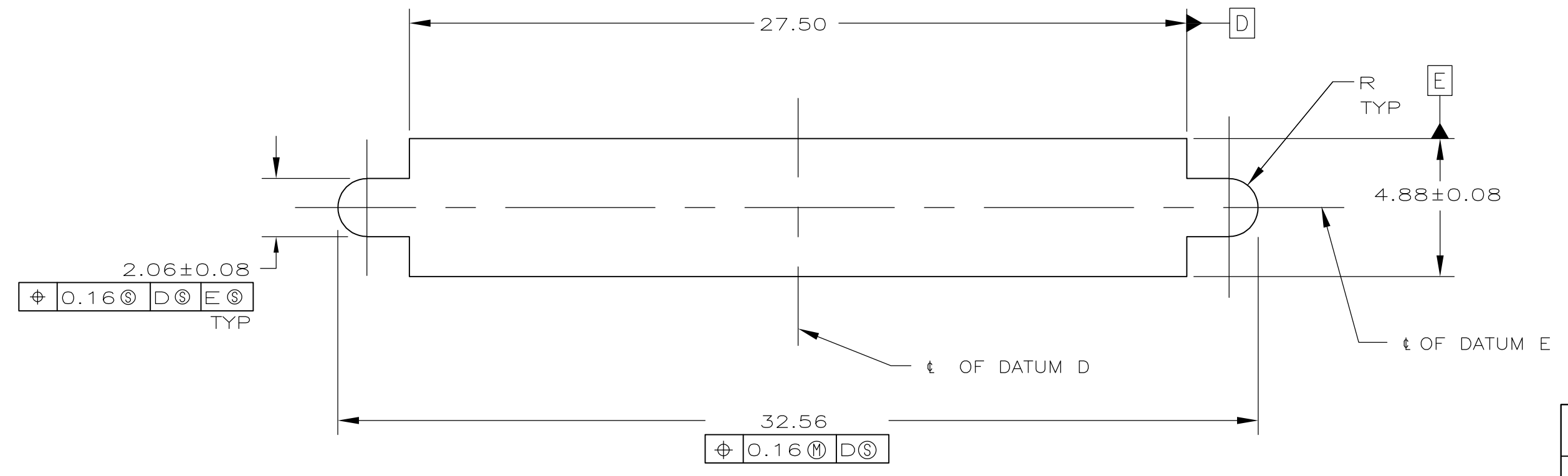
|  |             |                                |  |              |
|--|-------------|--------------------------------|--|--------------|
| THIS DRAWING IS A CONTROLLED DOCUMENT. DIMENSIONING AND TOLERANCING PER ASME Y14.5M-2009 |             | DWN L. VARELA - DOCK5 08-01-05 | TE Connectivity  |              |
| DIMENSIONS: mm   |             | CHK S. SHUEY 08-01-05          | RECEPTACLE ASSEMBLY, 50 POSITION, SHIELDED, RIGHT ANGLE, CHAMP 0.8mm |              |
| TOLERANCES UNLESS OTHERWISE SPECIFIED:   |             | APVD M. WALMSLEY 08-01-05      | NAME   |              |
| 0 PLC ± -  | 1 PLC ± -   | PRODUCT SPEC                   | SIZE CAGE CODE DRAWING NO RESTRICTED TO                              |              |
| 2 PLC ± 0.13   | 3 PLC ± -   | APPLICATION SPEC               | A2 00779 C=6658751   |              |
| 4 PLC ± -  | ANGLES ± 1° | WEIGHT -                       | SCALE 6:1  | SHEET 1 of 2 |
| MATERIAL 1   | FINISH 2    | CUSTOMER DRAWING               | REV B  |              |

THIS DRAWING IS UNPUBLISHED. RELEASED FOR PUBLICATION  
 © COPYRIGHT - By - ALL RIGHTS RESERVED.

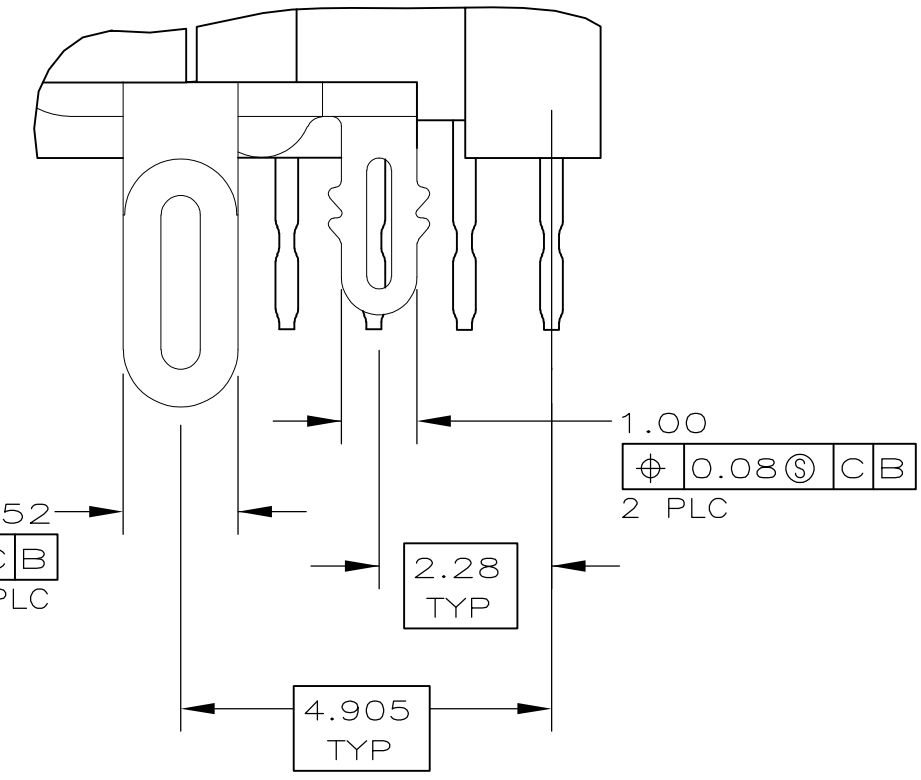
| LOC |    | DIST |     | REVISIONS   |      |     |      |
|-----|----|------|-----|-------------|------|-----|------|
| GP  | 00 | P    | LTR | DESCRIPTION | DATE | DWN | APVD |
|     |    | -    |     | SEE SHEET 1 | -    | -   | -    |



PC BOARD MOUNTING DIMENSIONS  $\Delta 3$



PANEL CUT-OUT DIMENSIONS  $\Delta 4$



|  |             |                                      |  |           |
|--|-------------|--------------------------------------|--|-----------|
| THIS DRAWING IS A CONTROLLED DOCUMENT. DIMENSIONING AND TOLERANCING PER ASME Y14.5M-2009 |             | DWN<br>L. VARELA - DOCK5<br>08-01-05 | TE Connectivity  |           |
| DIMENSIONS: mm   |             | CHK<br>S. SHUEY<br>08-01-05          | NAME   |           |
| TOLERANCES UNLESS OTHERWISE SPECIFIED:   |             | APVD<br>M. WALMSELY<br>08-01-05      | RECEPTACLE ASSEMBLY,<br>50 POSITION, SHIELDED,<br>RIGHT ANGLE, CHAMP 0.8mm |           |
| 0 PLC ± -  | 1 PLC ± -   | PRODUCT SPEC                         | SIZE   | CAGE CODE |
| 2 PLC ± 0.13   | 3 PLC ± -   | APPLICATION SPEC                     | A2   | 00779     |
| 4 PLC ± -  | ANGLES ± 1° | WEIGHT                               | SCALE  | SHEET     |
| MATERIAL   | FINISH      | CUSTOMER DRAWING                     | 6:1  | 2 of 2    |
| DRAWING NO<br>C=6658751  |             |                                      | RESTRICTED TO  | REV       |
|  |             |                                      | B  |           |