

# Product data sheet

Specifications



## Pressure switch 9012G, adjustable scale, 2 thresholds, 5.0 to 250 PSIG

9012GAW26

### Main

Range of product	9012G
Pressure sensor type	Electromechanical pressure switch
Pressure sensor name	9012G
Pressure sensor size	1723.69 kPa
Maximum pressure	750 psi
Contacts type and composition	2(NC-NO), DPDT-DB, Form ZZ, snap action, silver nickel contacts
Controlled fluid	Hydraulic oil (-40...121 °C) Non-corrosive liquids Air Non-corrosive gas
Fluid connection type	0.25 inch 18 NPTF conforming to UL 508
Pressure switch type of operation	Regulation between 2 thresholds
Scale type	Adjustable differential
Local display	Without

### Complementary

Range on decreasing pressure	34.47...1723.69 kPa
Approx adjustable differential at mid range	68.95...337.84 kPa +/- 2.5 % full scale
Cable entry	0.5 inch NPT conduit entrance
Terminal block type	8 screw terminals
Electrical connection	Screw-clamp terminals, AWG 22...AWG 12
Terminal identifier	(1-5)NO (2-4)NC
Electrical circuit type	Control circuit
Local signalling	Without:
[In] rated current	3 A 240 V AC A600 conforming to NEMA rating designation 3 A 120 V AC A600 conforming to NEMA rating designation 0.22 A 125 V DC R300 conforming to NEMA rating designation 0.11 A 250 V DC R300 conforming to NEMA rating designation
Setting	Internal
Enclosure material	Die cast aluminium alloy 380
Pressure actuator	Diaphragm nitrile (Buna-N)

Height	140.97 mm
Depth	66.80 mm
Width	88.90 mm
Operating position	Any position
Materials in contact with fluid	Nitrile (Buna-N) Nitrile (Buna-N)
Short-circuit protection	10 A cartridge overload and short-circuit protection, type gL
Maximum operating rate	120 cyc/mn
Mechanical durability	5000000 cycles
Repeat accuracy	4 %
Product weight	1.36 kg

## Environment

Vibration resistance	2 gn (f= 40...150 Hz) conforming to IEC 68-2-6
Shock resistance	50 gn conforming to IEC 58-2-27
Standards	UL 508 CSA C22.2 No 14 CE
Product certifications	CE CE UL listed file E12158 CCN NKPZ and CCN NTHT
NEMA degree of protection	NEMA 4/4X/13 conforming to UL 50
Ambient air temperature for operation	-23...85 °C

## Packing Units

Unit Type of Package 1	PCE
Number of Units in Package 1	1
Package 1 Height	13.716 cm
Package 1 Width	16.51 cm
Package 1 Length	25.908 cm
Package 1 Weight	1.361 kg

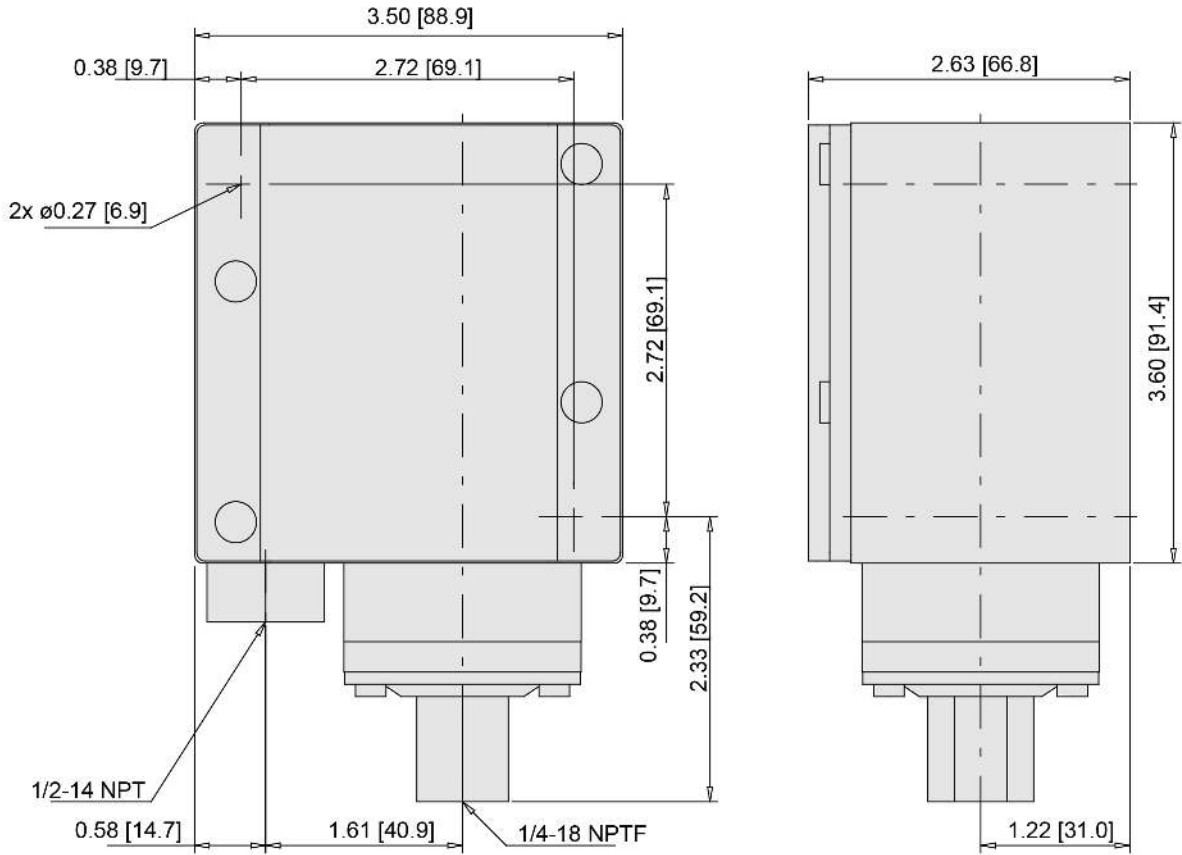
## Offer Sustainability

Sustainable offer status	Green Premium product
REACH Regulation	<a href="#">REACH Declaration</a>
EU RoHS Directive	Pro-active compliance (Product out of EU RoHS legal scope) <a href="#">EU RoHS Declaration</a>
Mercury free	Yes
RoHS exemption information	<a href="#">Yes</a>
Environmental Disclosure	<a href="#">Product Environmental Profile</a>
Circularity Profile	<a href="#">End of Life Information</a>
California proposition 65	WARNING: This product can expose you to chemicals including: Diisononyl phthalate (DINP), which is known to the State of California to cause cancer, and Di-isodecyl phthalate (DIDP), which is known to the State of California to cause birth defects or other reproductive harm. For more information go to <a href="http://www.P65Warnings.ca.gov">www.P65Warnings.ca.gov</a>

## Contractual warranty

Warranty	18 months
----------	-----------

Dimensions



in. [mm]

Recommended replacement(s)