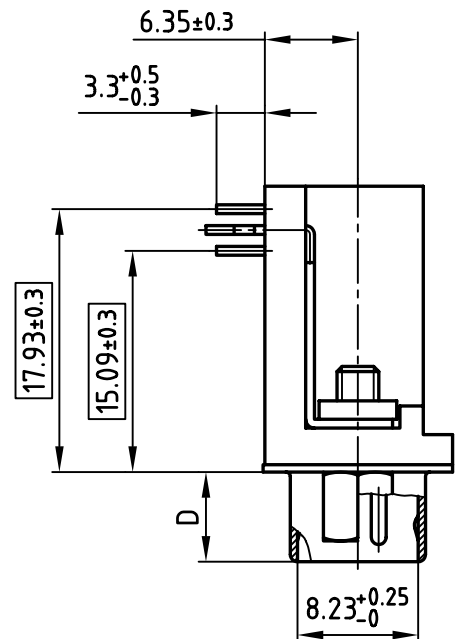
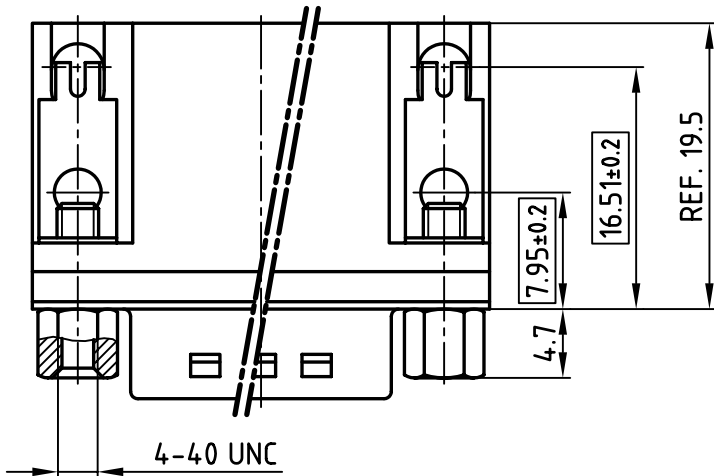
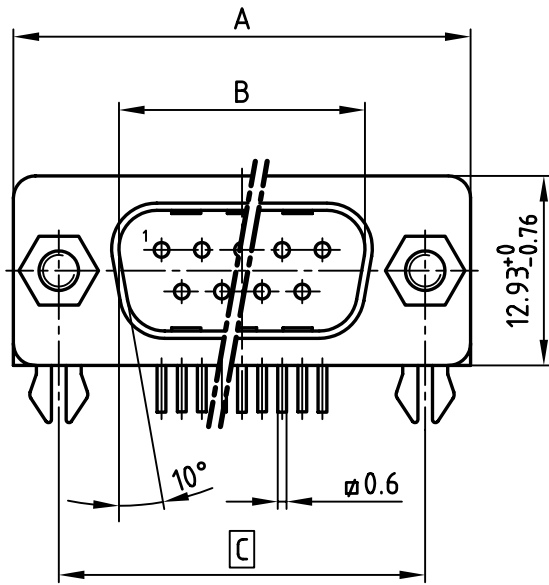


used for: D-SUB

NOTES:

1. METALSHELLS: STEEL; TIN PLATED
2. INSULATORS: PA UL 94 V-0; BLACK
3. PLATING: min. 8 μ " HARD GOLD OVER
min. 50 μ " NICKEL
4. PCB-SNAP: COPPER ALLOY; TIN PLATED
PCB-HOLE: $\varnothing 3.1 \pm 0.1$; PCB THICKNESS 1.6mm
5. PCB-BOARD DRILLINGS ON DRAWING No.16K11IU A
6. = CRITICAL DIMENSION: SPC



POS.	A -0.76	B $+0.25$	C	D -0.3	PART-NO.
9	31.19	16.79	25.00 $+0.12/-0.13$	6.12	301A10979X
15	39.52	25.12	33.30 $+0.15/-0.1$	6.12	301A10989X
25	53.42	38.84	47.04 ± 0.13	5.99	301A10999X
37	69.70	55.30	63.50 ± 0.13	5.99	301A11009X

THIS DRAWING MAY NOT BE COPIED OR REPRODUCED IN ANY WAY, AND MAY NOT BE PASSED ON TO A THIRD PARTY WITHOUT WRITTEN PERMISSION.
 OWNERSHIP AND COPYRIGHT OF CONEC GmbH
 DO NOT ALTER CAD DRAWING BY HAND

tolerance			
1999	date	name	
drawn	29.09.	Barcinski	
appd.	29.09.	Mickenbecker	
norm	DIN 41652		
d-old			
rev.	description	date	name

scale:	2:1		
material:	SEE NOTES		
title:	D-SUB MALE 90° 0.590inch 9-37pos. with threaded insert , Hex bolts and clip		
dwg no:	CAD/ REL.14	DIN-A	
		4	
		sh: 1/1	
product no:	SEE TABLE		