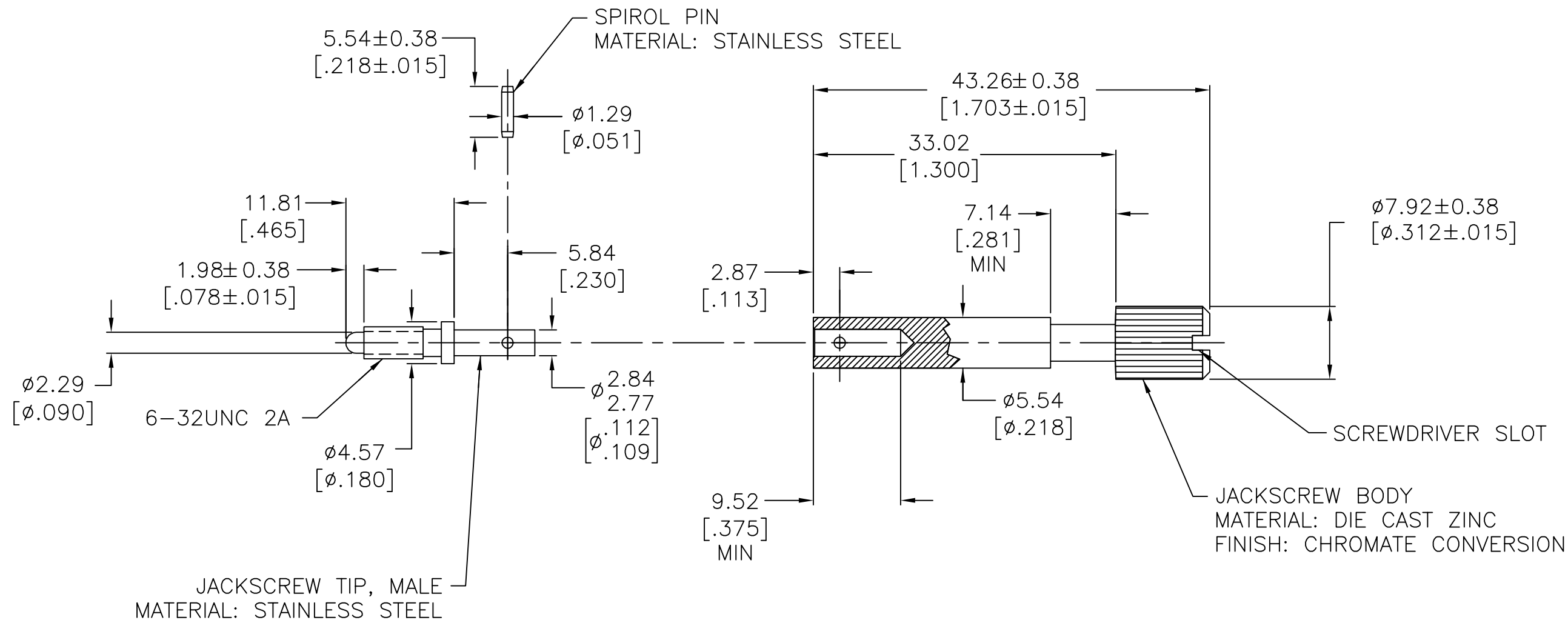


P	LTR	DESCRIPTION	DATE	DWN	APVD
	M1	REVISED PER ECO-11-005027	11MAR11	RK	HMR
	N	REVISED PER ECO-17-011042	01AUG2017	RS	MZ



△2 NON-HEXAVALENT CHROMATE COATING ON JACKSCREW BODY.

△3 SPECIAL PACKAGING - ONE UNASSEMBLED UNIT PER BAG.

OBSOLETE	△2	△3	201413-5
	△2		201413-4
	△2		201413-1
	NOTES		PART NUMBER

THIS DRAWING IS A CONTROLLED DOCUMENT.		DWN M.BINNER 09/27/94	TE Connectivity													
DIMENSIONS: mm [INCHES]		CHK R.STONE 1-20-95														
TOLERANCES UNLESS OTHERWISE SPECIFIED:		APVD -	NAME JACKSCREW KIT, UNASSEMBLED, MALE, M SERIES													
<table border="0"> <tr> <td>0 PLC</td> <td>± -</td> </tr> <tr> <td>1 PLC</td> <td>± -</td> </tr> <tr> <td>2 PLC</td> <td>± 0.13 [.005]</td> </tr> <tr> <td>3 PLC</td> <td>± -</td> </tr> <tr> <td>4 PLC</td> <td>± -</td> </tr> <tr> <td>ANGLES</td> <td>± -</td> </tr> </table>		0 PLC	± -	1 PLC	± -	2 PLC	± 0.13 [.005]	3 PLC	± -	4 PLC	± -	ANGLES	± -	PRODUCT SPEC -	SIZE A3	
0 PLC	± -															
1 PLC	± -															
2 PLC	± 0.13 [.005]															
3 PLC	± -															
4 PLC	± -															
ANGLES	± -															
MATERIAL SEE CALLOUT		FINISH SEE CALLOUT	APPLICATION SPEC -	CAGE CODE 00779												
		WEIGHT -	DRAWING NO C=201413	RESTRICTED TO -												
CUSTOMER DRAWING			SCALE 2:1	SHEET 1 OF 1												
			REV N													